

4

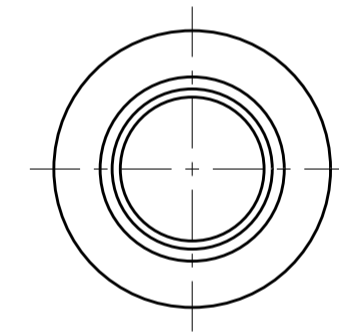
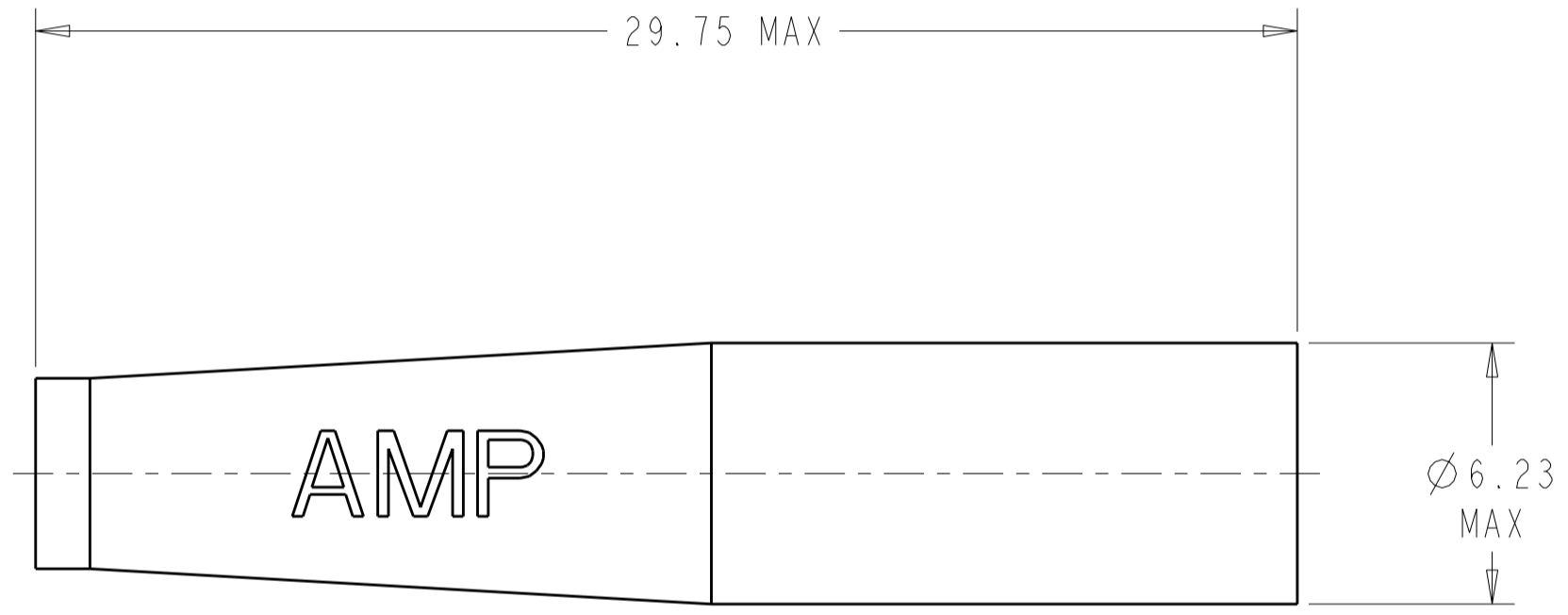
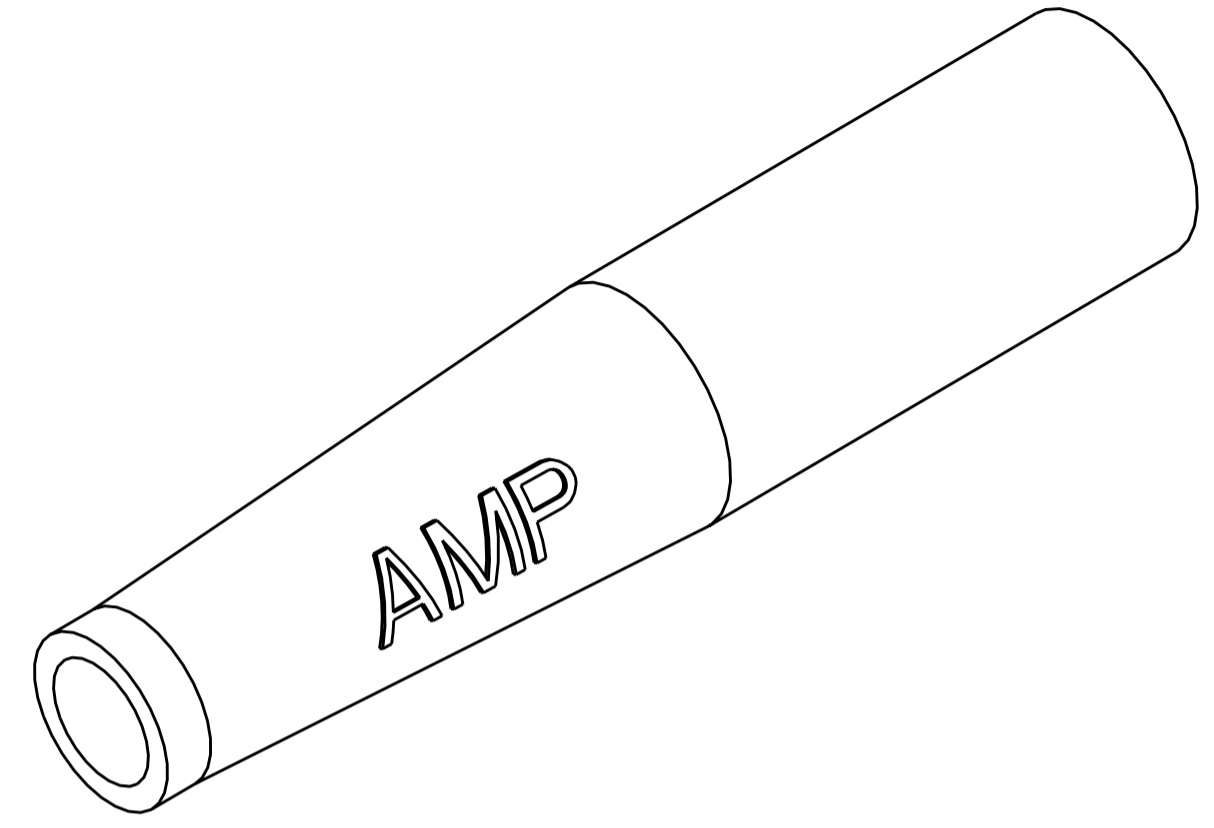
3

2

1

THIS DRAWING IS UNPUBLISHED. RELEASED FOR PUBLICATION 20
 © COPYRIGHT 20 BY TYCO ELECTRONICS CORPORATION. ALL RIGHTS RESERVED.

LOC	DIST	REVISIONS			
P	LTR	DESCRIPTION	DATE	DWN	APVD
CE	00				
	T	REVISE PER 0A00-0049-05	28JAN2005	BB	SB
	U	REVISE PER ECR-06-004515	02MAR2006	BB	SB
	V	REVISE PER ECR-06-009068	25MAY2006	BB	SB
	W	REVISE PER ECR-06-016890	13JUL2006	BB	SB



AMP	GREEN	502716-6
AMP	RED	502716-5
AMP	BLUE	502716-4
AMP	BEIGE	502716-3
AMP	YELLOW	502716-2
AMP	BLACK	502716-1
LOGO	COLOR	PART NUMBER

⚠ MATERIAL: THERMOPLASTIC ELASTOMER. SEE TABLE FOR COLORS.

<small>THIS DRAWING IS A CONTROLLED DOCUMENT FOR TYCO ELECTRONICS CORPORATION IT IS SUBJECT TO CHANGE AND THE CONTROLLING ENGINEERING ORGANIZATION SHOULD BE CONTACTED FOR THE LATEST REVISION.</small>		DWN E. BOGAR 12JUL2002 CHK D. ERDMAN 12JUL2002 APVD S. BUCHTER 12JUL2002	AMP Tyco Electronics Harrisburg, PA 17105-3608
DIMENSIONS: mm	TOLERANCES UNLESS OTHERWISE SPECIFIED: 0 PLC ± 1 PLC ± 2 PLC ± 3 PLC ± 4 PLC ± ANGLES ±3° FINISH	PRODUCT SPEC APPLICATION SPEC WEIGHT	NAME BOOT, PUSH-ON
MATERIAL 		CUSTOMER DRAWING	SIZE A2 CAGE CODE 00779 DRAWING NO. 502716 RESTRICTED TO SCALE 6:1 SHEET 1 OF 1 REV W