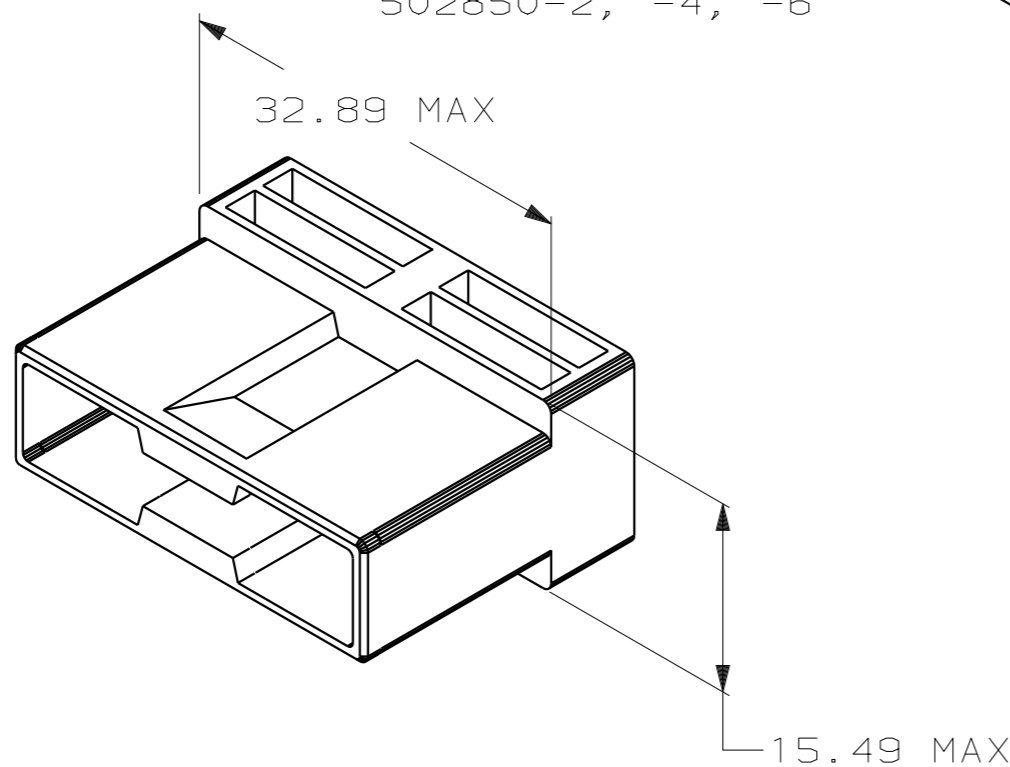
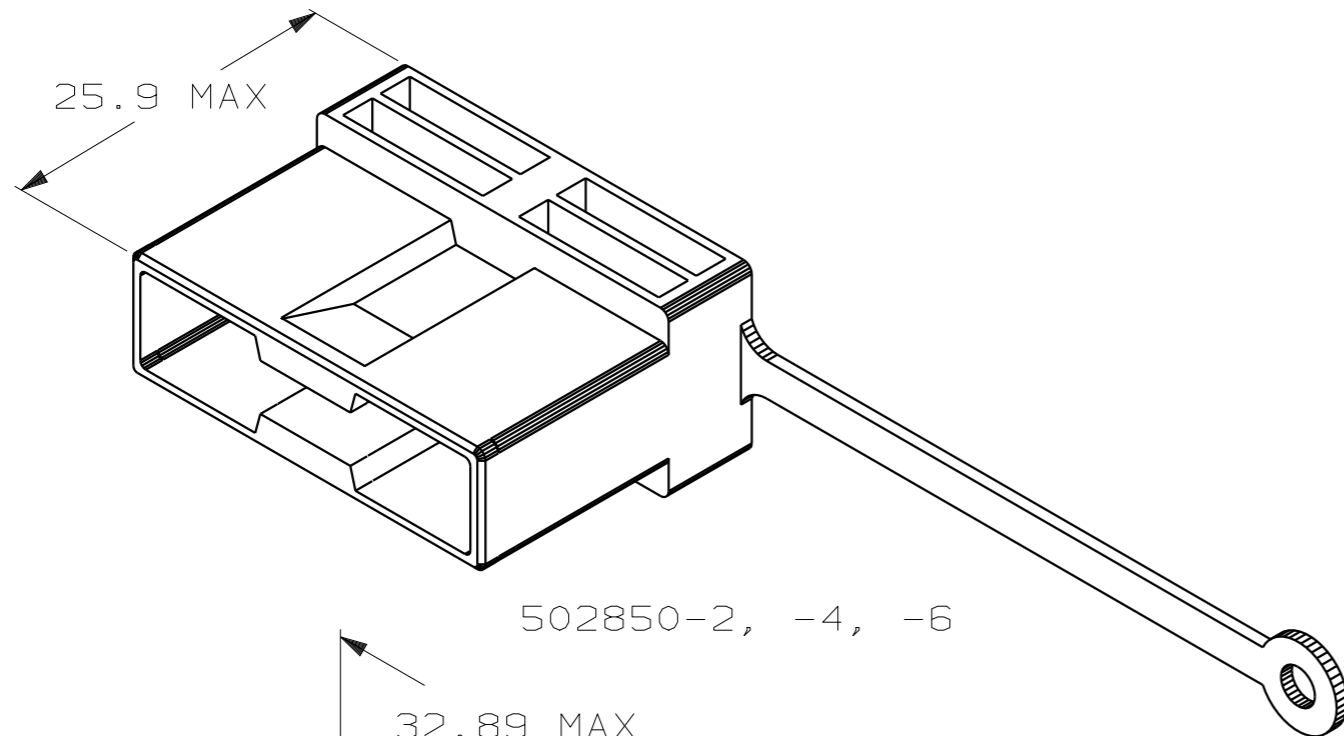


THIS DRAWING IS UNPUBLISHED. RELEASED FOR PUBLICATION, 19 .
 © COPYRIGHT 19 BY AMP INCORPORATED. ALL INTERNATIONAL RIGHTS RESERVED.

| LOC | DIST | P | F | ZONE | LTR | REVISIONS | DATE | APPD |
|-----|------|---|---|------|-----|----------------------|---------|------|
| CE | 00 | | | | C | REV PER 0A00-0076-05 | 2-18-05 | DDE |



- 1. MATL: TPE: UL94 V-0 RATED AT QUALIFYING THICKNESS, SEE DASH NUMBER FOR COLOR.
- 2. FITS STANDARD MIC RECEPTACLE, ALL KEYING TYPES.

| | | | |
|----------|-------|---------------------|-------------|
| OBSOLETE | PEARL | WITH MOUNTING STRAP | 502850-6 |
| OBSOLETE | WHITE | W/O MOUNTING STRAP | 502850-5 |
| OBSOLETE | BLACK | WITH MOUNTING STRAP | 502850-4 |
| | | W/O MOUNTING STRAP | 502850-3 |
| OBSOLETE | BEIGE | WITH MOUNTING STRAP | 502850-2 |
| | | W/O MOUNTING STRAP | 502850-1 |
| | COLOR | DESCRIPTION | PART NUMBER |

| | | | | |
|--|--------|----------------------------|---|------------------|
| DO NOT SCALE PRINT. UNLESS SPECIFIED DIMENSIONS IN mm TOLERANCES ON: 2 PLC DEC ± - 3 PLC DEC ± - ANGLES ± - | | DR. R.HILEMAN 6-26-96 | PART NO | |
| MATERIAL | FINISH | CHK F.ROVENOLT 7-9-96 | AMP INCORPORATED Harrisburg, Pa. 17105 | |
| 1 | - | APPD F.ROVENOLT 7-9-96 | NAME DUST COVER, FIELD KEY RECEPTACLE | |
| | | APPD F.ABENDSCHE IN 7-9-96 | SIZE B | FSCM NO 00779 |
| | | PRODUCT SPEC - | DRAWING NO 502850 | |
| | | APPLICATION SPEC - | SCALE 2:1 | SHEET 1 OF 1 |
| | | WEIGHT - | | |