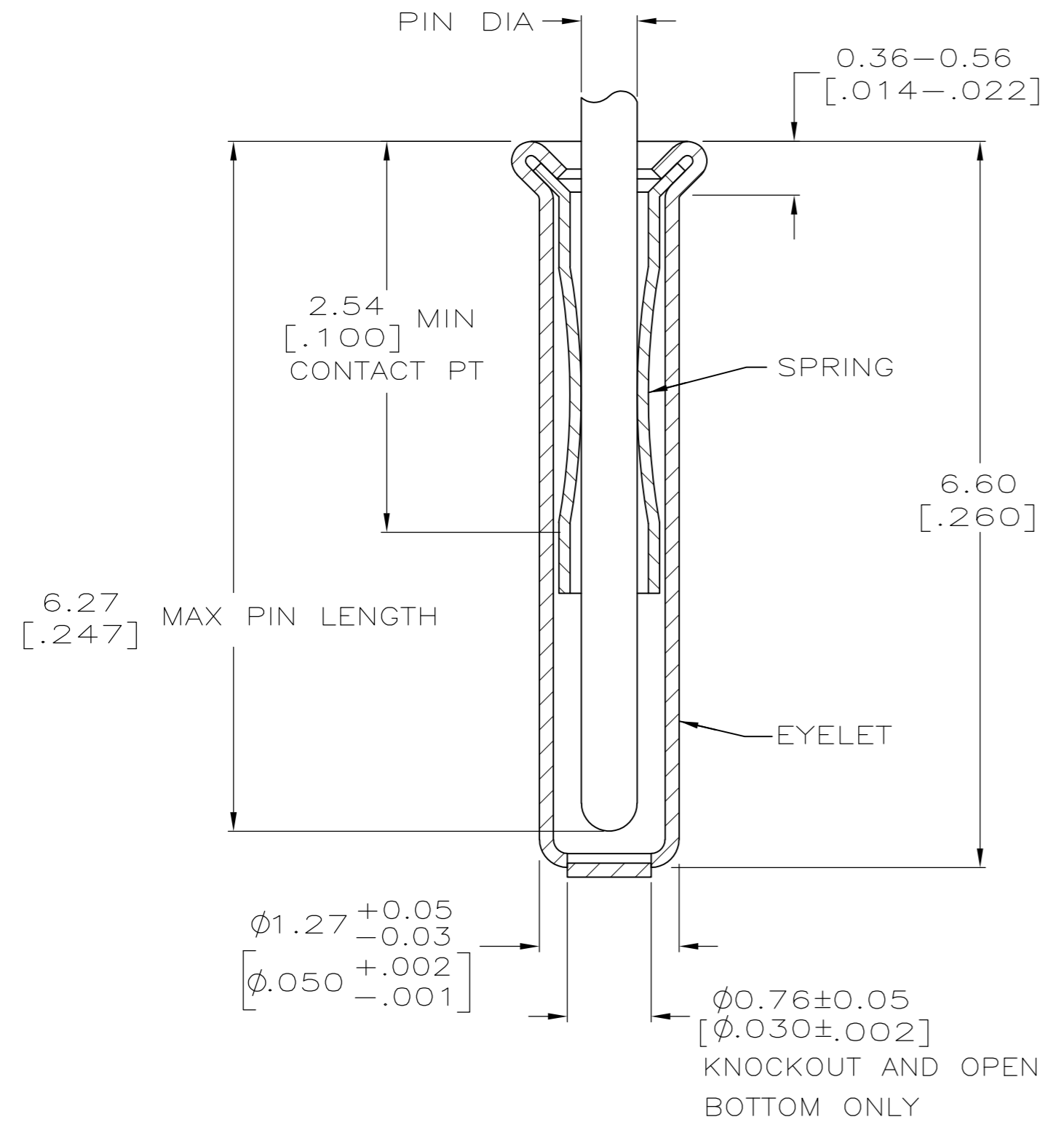
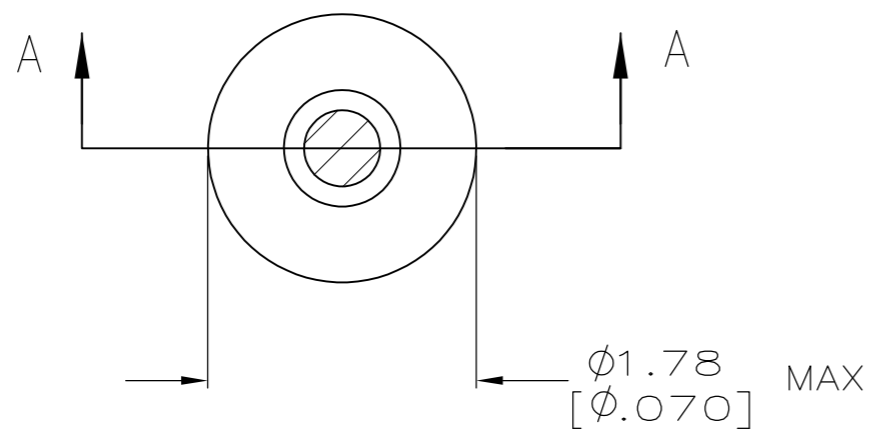


THIS DRAWING IS UNPUBLISHED. RELEASED FOR PUBLICATION  
 © COPYRIGHT BY TYCO ELECTRONICS CORPORATION. ALL RIGHTS RESERVED.

LOC		DIST		REVISIONS			
P	LTR	DESCRIPTION	DATE	DWN	APVD		
0		PER EC-0S11-0022-05	20APR2005	JA	JGH		
01		REVISED PER ECO-09-024927	09NOV09	KK	AEG		



SECTION A-A

- △1 TIN PLATE PER ASTM-B-545 0.00254 [.000100] MIN THK.
- △2 GOLD PLATE PER ASTM B 488, 0.00076 [.000030] MIN THK OVER NICKEL PER QQ-N-290 0.00028 [.000011] MIN THK ON CONTACT AREA.
- △3 GOLD FLASH PER ASTM B 488, 0.13 μm [.000005] MIN THICK, OVER NICKEL PLATE PER QQ-N-290 0.51 μm-1.52 μm [.000020-.000060] EXT THICK.
- 4. RECOMMENDED HOLE SIZE, PLATED OR UNPLATED:  
 MACHINE INSERTION: 1.32 +0.03/-0.05 [.052 +.001/-0.002]  
 HAND INSERTION: 1.32 +0.10/-0.00 [.052 +.004/-0.000]
- 5. APPLICATION TOOL PART NUMBER:  
 MACHINE NO. 682127-3  
 INSERTION HEAD NO. 682039-2
- △6 TO INSURE PROPER SPRING TENSION DO NOT EXCEED A 0.10 [.004] DIFFERENCE IN PIN DIA WHEN CHANGING TO A SMALLER PIN.
- 7. BOTTOM PLUG KNOCKOUT TOOL PART NUMBER 69729 WITH TIP PART NUMBER 69728.
- △8 SPRING: BERYLLIUM COPPER QQ-C-533
- △9 EYELET: COPPER, QQ-C-576
- △10 OBSOLETE PARTS: OBSOLETE CIS STREAMLINING PER D.RENAUD/D.SINISI

△10 OBSOLETE	CLOSED KNOCKOUT	0.36-0.66 [.014-.026]	TIN △1	TIN △1	5050863-8
	OPEN				-5050863-7-
△10 OBSOLETE	CLOSED KNOCKOUT		TIN △1	GOLD △2	5050863-6
	OPEN				
					-5050863-3-
					5050863-1
	BOTTOM TYPE	RECOMMENDED PIN DIA △6	EYELET	SPRING	PART NO
			FINISH		

THIS DRAWING IS A CONTROLLED DOCUMENT.		DWN J. ALCORTA - DOCK5 20APR2005	Tyco Electronics Corporation Harrisburg, Pa 17105-3608	
DIMENSIONS: mm [INCHES]		CHK J. HAVENER 20APR2005	Tyco Electronics	
TOLERANCES UNLESS OTHERWISE SPECIFIED:		APVD J. HAVENER 20APR2005	NAME MINIATURE SPRING SOCKET ASSEMBLY SERIES 2	
0 PLC ± -	1 PLC ± -	PRODUCT SPEC 108-14008	SIZE A2	CAGE CODE 00779
2 PLC ± -	3 PLC ± 0.20 [.008]	APPLICATION SPEC -	DRAWING NO C=5050863	RESTRICTED TO -
4 PLC ± -	ANGLES ± -	WEIGHT -	SCALE 20:1	SHEET 1 OF 1
MATERIAL △8 △9	FINISH SEE TABLE	CUSTOMER DRAWING	REV 01	