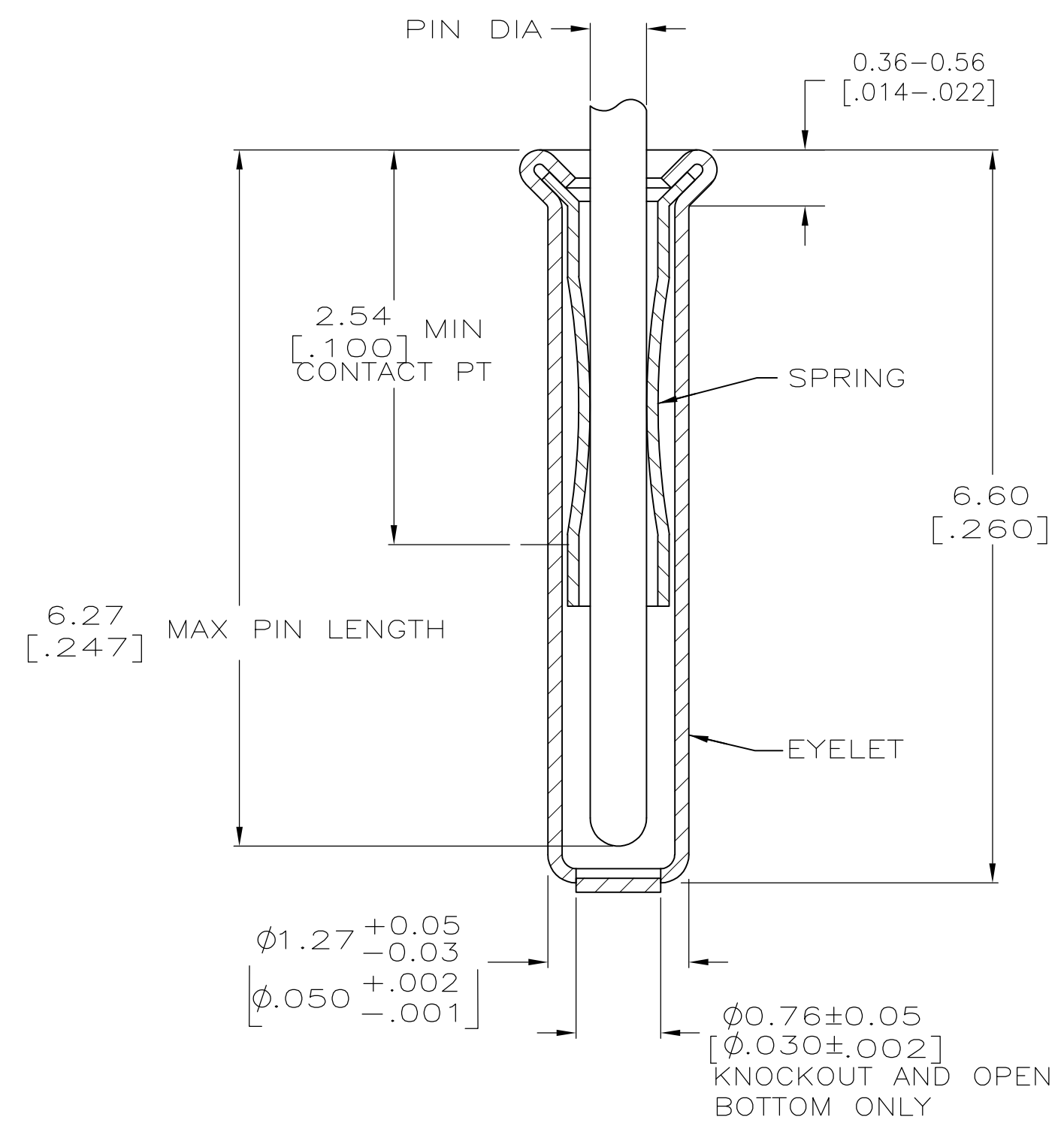
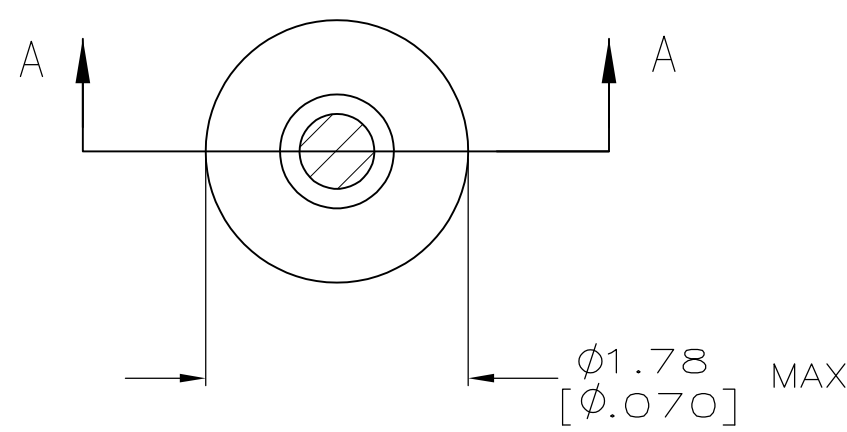


THIS DRAWING IS UNPUBLISHED. RELEASED FOR PUBLICATION  
 © COPYRIGHT BY TYCO ELECTRONICS CORPORATION. ALL RIGHTS RESERVED.

LOC	DIST	REVISIONS			
P	LTR	DESCRIPTION	DATE	DWN	APVD
FT	64	Z3	REVISED PER ECO-10-000445	13JAN10	KK AEG



SECTION A-A

- 1. TIN PER MIL-T-10727 OR TIN LEAD 0.00254 [.000100] MIN THK.
- 2. GOLD PER MIL-G-45204, TYPE II, 0.00076 [.000030] MIN THK OVER NICKEL PER QQ-N-290 0.00028 [.000011] MIN THK ON CONTACT AREA.
- 3. GOLD FLASH PER MIL-G-45204, TYPE II, 0.13 $\mu$ m [.000005] MIN THK. OVER NICKEL PLATE PER QQ-N-290 0.51 $\mu$ m-1.52 $\mu$ m [.000020-.000060] EXT THK.
- 4. RECOMMENDED HOLE SIZE, PLATED OR UNPLATED:  
 MACHINE INSERTION: 1.32  $\begin{matrix} +0.03 \\ -0.05 \end{matrix}$  [.052  $\begin{matrix} +.001 \\ -.002 \end{matrix}$ ]  
 HAND INSERTION: 1.32  $\begin{matrix} +0.10 \\ -0.00 \end{matrix}$  [.052  $\begin{matrix} +.004 \\ -.000 \end{matrix}$ ]
- 5. APPLICATION TOOL PART NUMBER:  
 MACHINE NO. 682127-3  
 INSERTION HEAD NO. 682039-2
- 6. TO INSURE PROPER SPRING TENSION DO NOT EXCEED A 0.10 [.004] DIFFERENCE IN PIN DIA WHEN CHANGING TO A SMALLER PIN.
- 7. BOTTOM PLUG KNOCKOUT TOOL PART NUMBER 69729 WITH TIP PART NUMBER 69728.
- 8. OBSOLETE PARTS: OBSOLETE CIS STREAMLINING PER D.RENAUD/D.SINISI

OBSOLETE	CLOSED	0.36-0.66 [.014-.026]	TIN 1	TIN 1	50863-8
OBSOLETE	KNOCKOUT		TIN 1	TIN 1	50863-7
OBSOLETE	OPEN		GOLD 3	GOLD 2	50863-6
OBSOLETE	CLOSED		TIN 1	GOLD 2	50863-5
OBSOLETE	KNOCKOUT		TIN 1	GOLD 2	50863-4
OBSOLETE	OPEN		GOLD 3	GOLD 2	50863-3
OBSOLETE	OPEN	EYELET	SPRING	50863-1	50863
BOTTOM TYPE		RECOMMENDED PIN DIA 6	FINISH		PART NO

THIS DRAWING IS A CONTROLLED DOCUMENT.

DIMENSIONS: mm [INCHES]	TOLERANCES UNLESS OTHERWISE SPECIFIED:	DWN: R. TALLEY 4-8-91	CHK: S. ROBERTSON 8-22-91	Tyco Electronics Corporation Harrisburg, PA 17105-3608	
0 PLC ± -	1 PLC ± -	APVD: R. MILLER 8-5-91	PRODUCT SPEC	NAME: MINIATURE SPRING SOCKET ASSEMBLY SERIES 2	RESTRICTED TO
2 PLC ± -	3 PLC ± 0.20 [.008]	APPLICATION SPEC	WEIGHT: -	SIZE: A2	CAGE CODE: 00779
4 PLC ± -	ANGLES ± -	FINISH: SEE TABLE	CUSTOMER DRAWING	DRAWING NO: 50863	SCALE: 20:1
MATERIAL: SPRING: BeCu, QQ-C-533	EYELET: Cu, QQ-C-576	FINISH: SEE TABLE	WEIGHT: -	SCALE: 20:1	SHEET: 1 OF 1