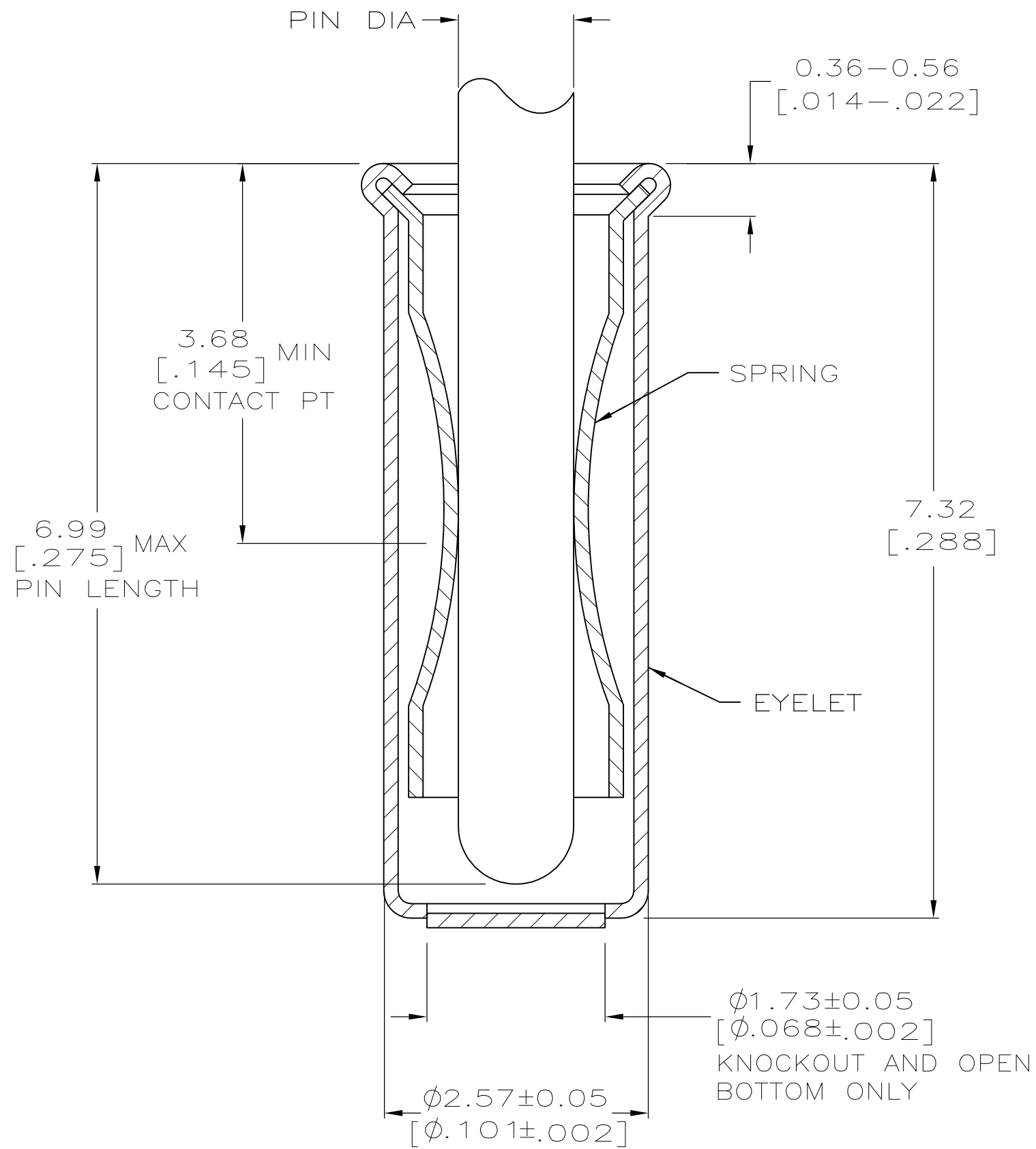
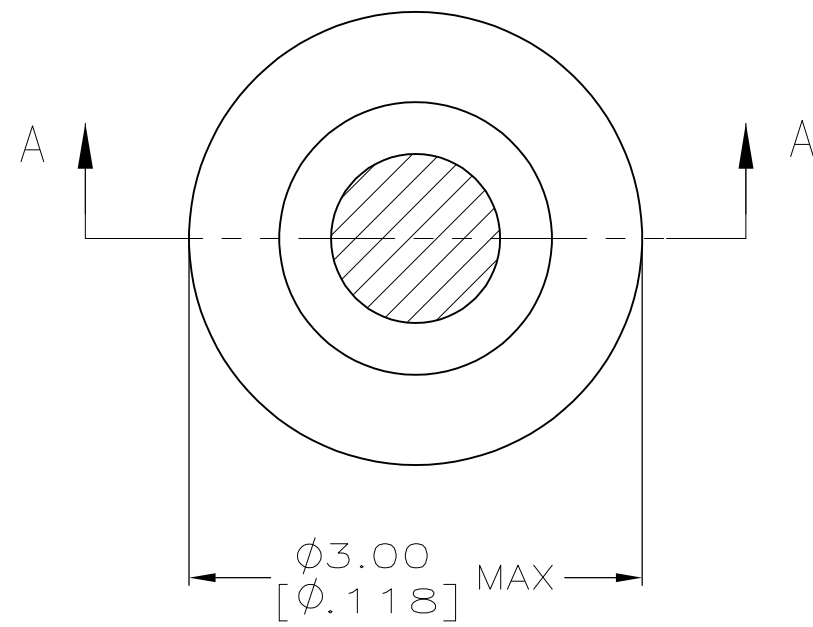


THIS DRAWING IS UNPUBLISHED. RELEASED FOR PUBLICATION
 © COPYRIGHT BY TYCO ELECTRONICS CORPORATION. ALL RIGHTS RESERVED.

LOC	DIST	REVISIONS			
P	LTR	DESCRIPTION	DATE	DWN	APVD
GP	00	AE5	REVISED PER ECO-09-024673	18NOV2009	AEG DB



- ① TIN PER MIL-T-10727 OR TIN LEAD .000254 [.000100] MIN THK.
- ② GOLD PER MIL-G-45204, TYPE II, 0.00076 [.000030] MIN THK OVER NICKEL PER QQ-N-290 0.00028 [.000011] MIN THK ON CONTACT AREA.
- ③ GOLD FLASH PER MIL-G-45204, TYPE II, 0.13 μ m [.000005] MIN THK. OVER NICKEL PLATE PER QQ-N-290 0.51 μ m-1.52 μ m [.000020-.000060] EXT THK.
- 4. RECOMMENDED HOLE SIZE, PLATED OR UNPLATED:
 MACHINE INSERTION: 2.56 \pm 0.08 [.101 \pm .003]
 HAND INSERTION: 2.62^{+0.10}/_{-0.00} [.103^{+0.004}/_{-0.000}]
- 5. APPLICATION TOOL PART NUMBER:
 MACHINE NO. 682127-6
 INSERTION HEAD NO. 682039-5
- ⑥ TO INSURE PROPER SPRING TENSION DO NOT EXCEED A 0.05 [.002] DIFFERENCE IN PIN DIA WHEN CHANGING TO A SMALLER PIN.
- 7. BOTTOM PLUG KNOCKOUT TOOL PART NUMBER 69729 WITH TIP PART NUMBER 69728-3.
- ⑧ TIN PER ASTM B 545, 0.00254 [.000100] MIN THK.
- ⑨ MATERIAL: SPRING: BERYLLIUM COPPER, QQ-C-533.
 EYELET: COPPER, QQ-C-576.

THIS DRAWING IS A CONTROLLED DOCUMENT.	DWN	20SEP05	Tyco Electronics		Tyco Electronics Corporation
	R. TALLEY	8-22-91	Harrisburg, PA 17105-3608		
	R. MILLER		NAME		
			PRODUCT SPEC		
			APPLICATION SPEC		
			WEIGHT		
			CUSTOMER DRAWING		
SUPSD BY 1-50871-4	CLOSED	1.07-1.24 [.042-.049]	TIN ⑧	TIN ⑧	6-50871-8
SUPSD BY 50871-5	CLOSED	1.07-1.24 [.042-.049]	TIN ⑧	TIN ①	3-50871-0
OBSOLETE	CLOSED	1.27-1.45 [.050-.057]		GOLD ②	2-50871-8
OBSOLETE	KNOCKOUT		TIN ①	TIN ①	2-50871-7
OBSOLETE	OPEN				2-50871-6
OBSOLETE	CLOSED	1.42-1.65 [.056-.065]			2-50871-5
OBSOLETE	KNOCKOUT		GOLD ③	GOLD ②	2-50871-4
OBSOLETE	OPEN		TIN ①		2-50871-3
OBSOLETE	CLOSED	1.27-1.45 [.050-.057]	TIN ①	TIN ①	2-50871-2
OBSOLETE	OPEN		GOLD ③		2-50871-1
OBSOLETE	CLOSED	1.07-1.24 [.042-.049]	TIN ①		1-50871-9
OBSOLETE	OPEN		GOLD ③		1-50871-8
OBSOLETE	CLOSED	1.07-1.24 [.042-.049]	TIN ①	TIN ①	1-50871-7
OBSOLETE	OPEN		GOLD ③	GOLD ②	1-50871-4
OBSOLETE	CLOSED	1.07-1.24 [.042-.049]	TIN ①	TIN ①	1-50871-3
OBSOLETE	OPEN				1-50871-0
OBSOLETE	CLOSED	1.07-1.24 [.042-.049]	TIN ①	TIN ①	50871-8
OBSOLETE	OPEN				50871-6
OBSOLETE	CLOSED	1.07-1.24 [.042-.049]	TIN ①	TIN ①	50871-5
OBSOLETE	OPEN				50871-4
OBSOLETE	CLOSED	1.07-1.24 [.042-.049]	GOLD ③	GOLD ②	50871-3
OBSOLETE	OPEN		TIN ①		50871-2
OBSOLETE	CLOSED	1.07-1.24 [.042-.049]	GOLD ③		50871-1
OBSOLETE	OPEN				50871
	BOTTOM TYPE	RECOMMENDED PIN DIA ⑥	EYELET	SPRING	PART NO
			FINISH		

DIMENSIONS: mm [INCHES]		TOLERANCES UNLESS OTHERWISE SPECIFIED:		APVD	
0 PLC	± -	1 PLC	± -	20SEP05	R. TALLEY
1 PLC	± -	2 PLC	± 0.20 [.008]	8-22-91	R. MILLER
2 PLC	± -	3 PLC	± -		
3 PLC	± -	4 PLC	± -		
4 PLC	± -	ANGLES	± -		
		FINISH			