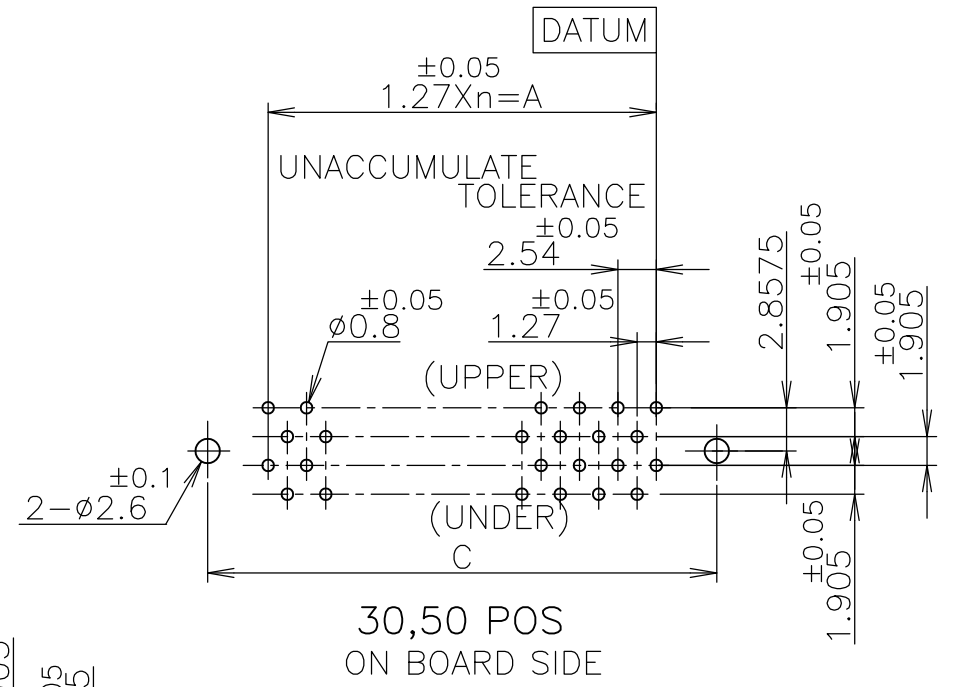
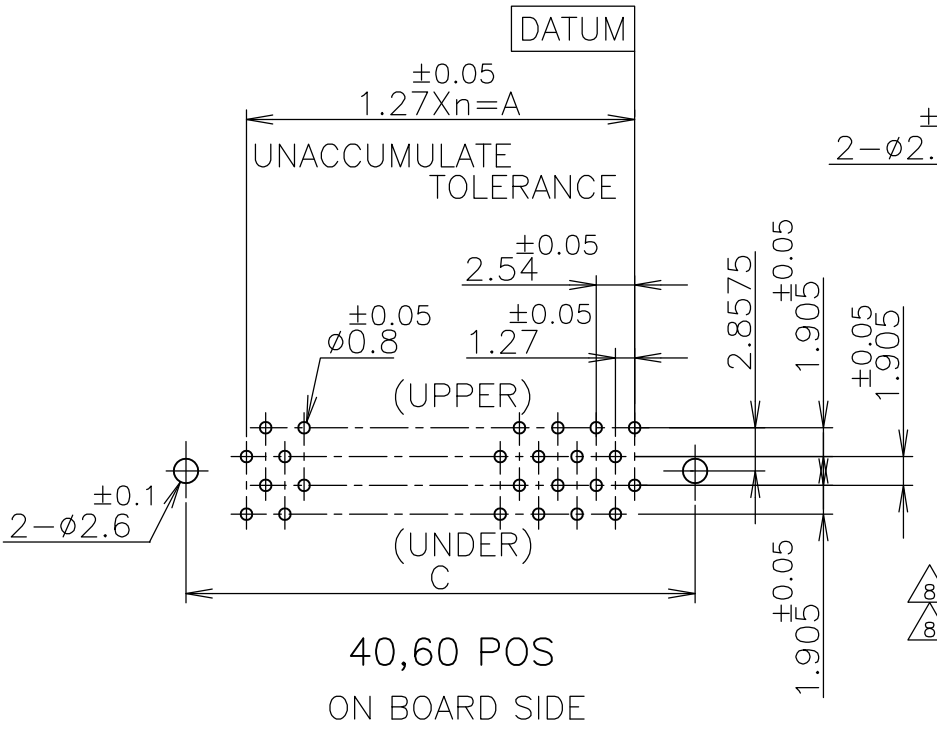
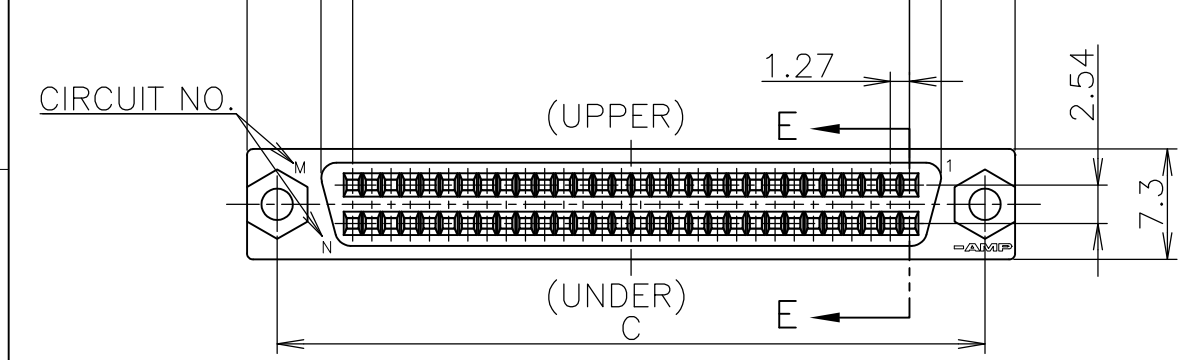
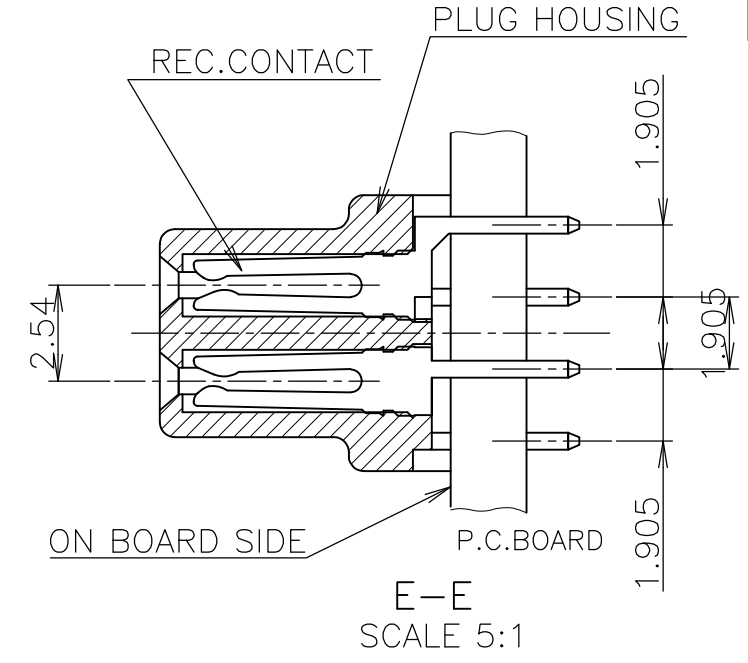
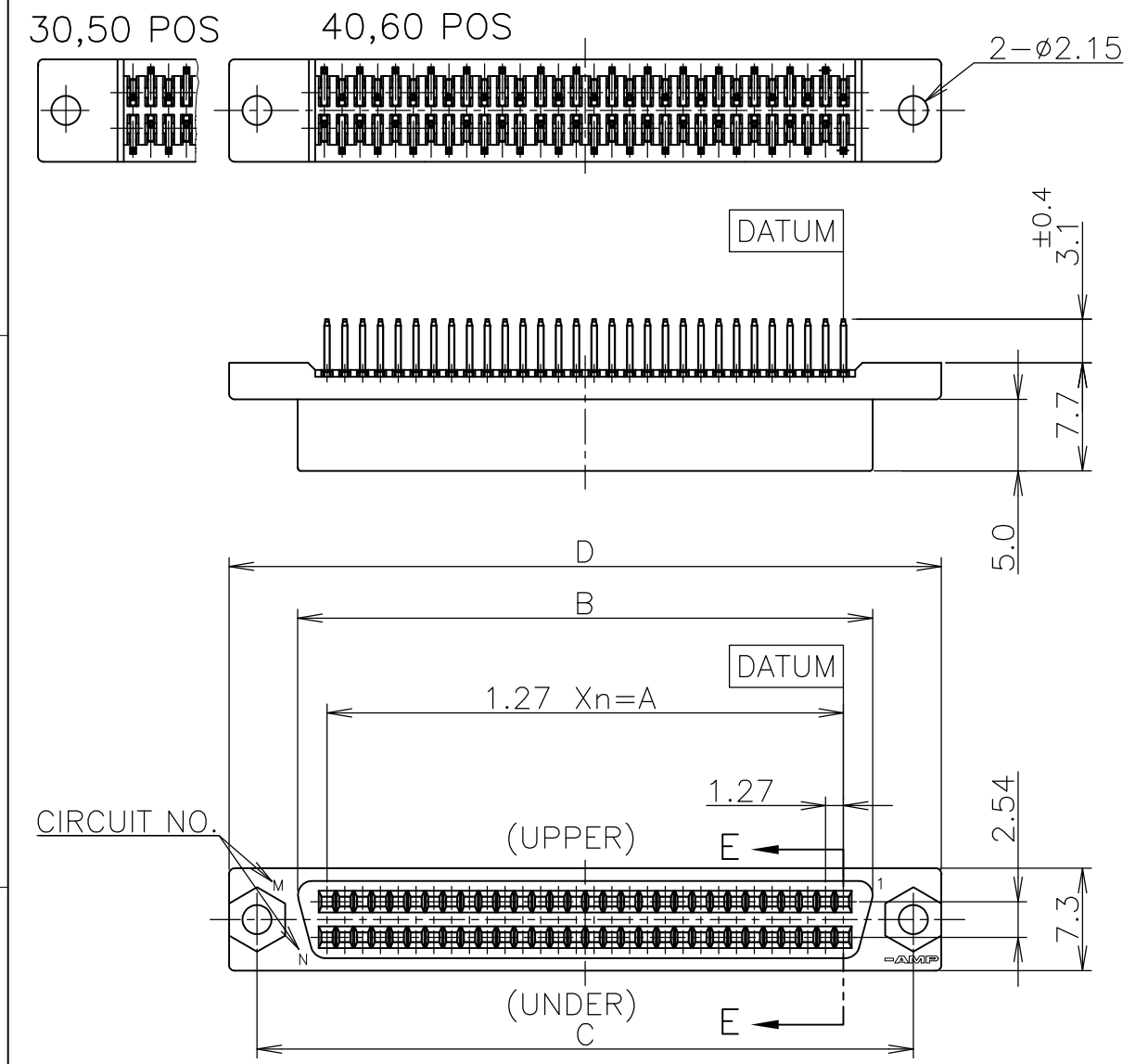


THIS DRAWING IS UNPUBLISHED. RELEASED FOR PUBLICATION AUG. 2004.
 © COPYRIGHT 2004 BY TYCO ELECTRONICS CORPORATION. ALL RIGHTS RESERVED.

LOC	DIST	REVISIONS			
P	LTR	DESCRIPTION	DATE	DWN	APVD
J	/				
	0	RELEASED FJBO-0871-04	23AUG04	C.W	I.E
	01	REVISED PER ECO-10-000444	19JAN10	KK	HMR



- 1 USE A P.C.B. WHOSE ARE TREATED WITH SOLDER RESIST.
- 2 SHOW P.C.B LAYOUT FROM ON BOARD SURFACE SIDE.
- 3 NUMBER THE CONTACT IN THE P.C.B OR CONNECTOR CONSECUTIVELY FROM "DATUM" SIDE.
- 4 APPLY M2 SCREW & NUT TO FIX OF CONNECTOR.
- ⑤ HOUSING MATERIAL : P.B.T(UL94V-0) / BLACK
- ⑥ CONTACT MATERIAL : PHO-BRONZE
- ⑦ FINISH : NICKEL 0.00127 MIN THK. OVERALL SELECTIVE GOLD 0.00076 MIN. OR 0.0002 MIN. THK ON CONTACT AREA AND TIN 0.001 MIN THK. ON TINE AREA.
- ⑧ OBSOLETE PARTS: OBSOLETE CIS STREAMLINING PER D.RENAUD/D.SINISI

REMARK	PART NUMBER	POS	n	A	B	C	D	
Au PL. 0.00076 MIN.	6-	-4	60	29	36.83	41.00	46.80	50.80
	6-	-3	50	24	30.48	34.65	40.45	44.45
	6-	-2	40	19	24.13	28.30	34.10	38.10
	6-	-1	30	14	17.78	21.95	27.75	31.75
Au PL. 0.0002 MIN.		-4	60	29	36.83	41.00	46.80	50.80
		-3	50	24	30.48	34.65	40.45	44.45
		-2	40	19	24.13	28.30	34.10	38.10
	5173279-1	30	14	17.78	21.95	27.75	31.75	

LEAD FREE

GENERAL TOLERANCE
一般公差

10 ≥ :	±0.2
30 ≥ > 10:	±0.25
100 ≥ > 30:	±0.3
ANGLES:	±3°

THIS DRAWING IS A CONTROLLED DOCUMENT.

DIMENSIONS: MM

TOLERANCES UNLESS OTHERWISE SPECIFIED:

0 PLC	± -
1 PLC	± -
2 PLC	± -
3 PLC	± -
4 PLC	± -
ANGLES	± -
FINISH	⑦

MATERIAL: SEE NOTE

THIS DRAWING IS A CONTROLLED DOCUMENT.

DWN: COREL WANG 23AUG04
 CHK: STEVEN YAO 20AUG04
 APVD: I.ENOMOTO 20AUG04

Tyco Electronics Tyco Electronics AMP K.K. Kawasaki, Japan

NAME: PLUG ASSY (VERTICAL/ W/SCREW HOLE)
 AMPLIMITE .050 SERIES I B-TO-B CONN.

PRODUCT SPEC: 108-60036

APPLICATION SPEC: -

SIZE: A3 CAGE CODE: 00779 DRAWING NO: C-5173279 RESTRICTED TO: -

WEIGHT: -

CUSTOMER DRAWING SCALE: 2:1 SHEET: 1 OF 1 REV: 01