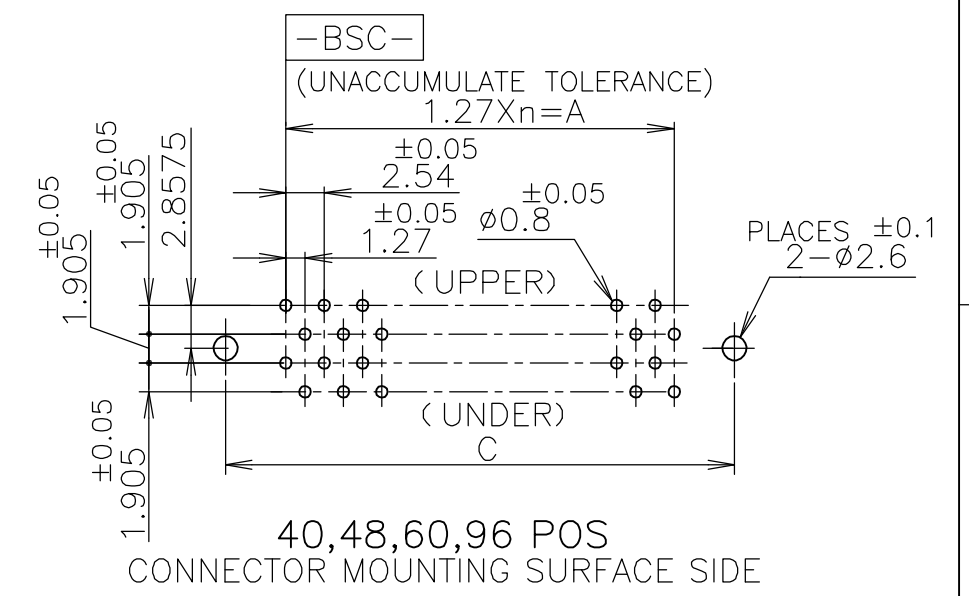
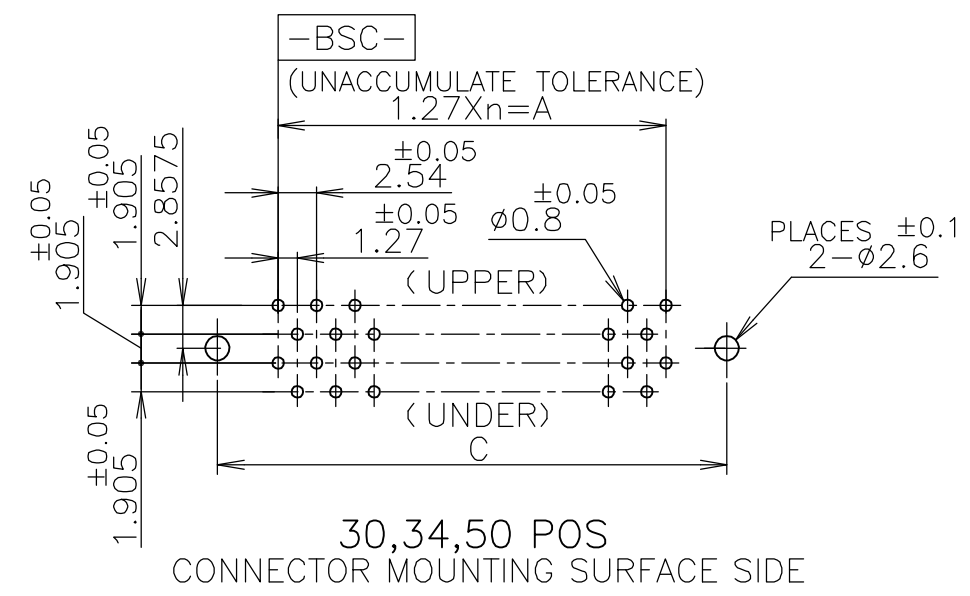
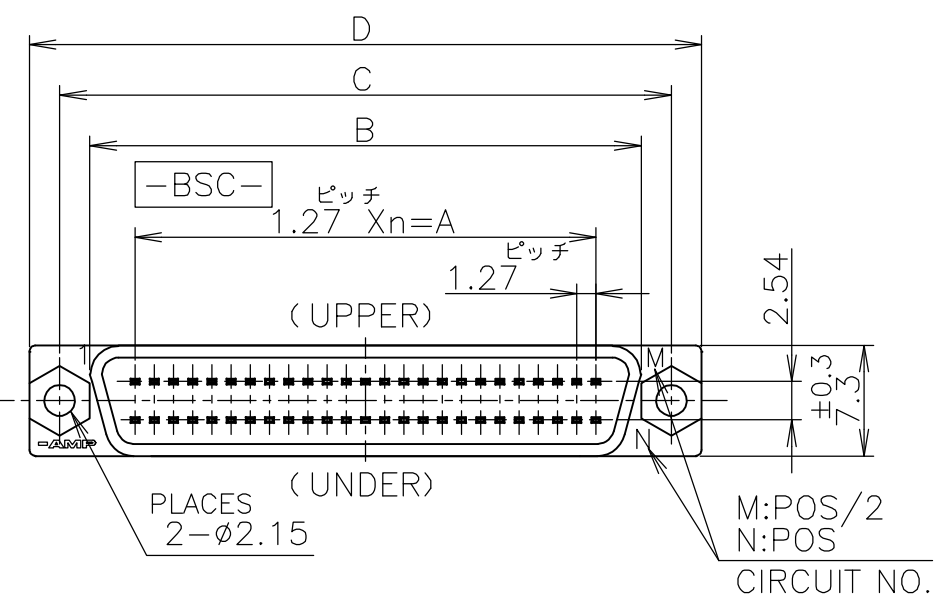
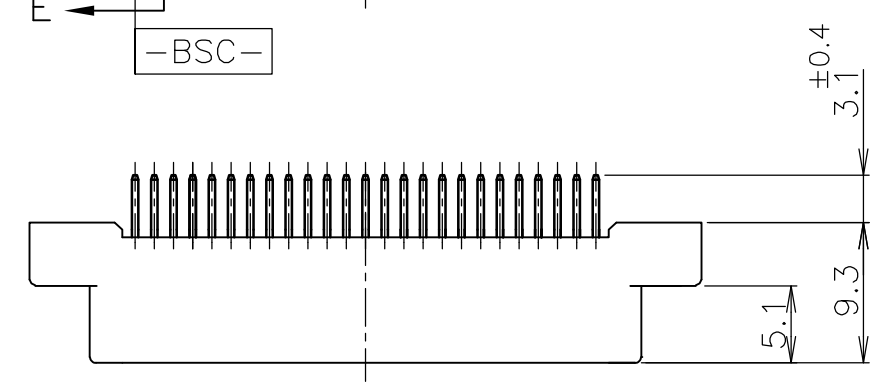
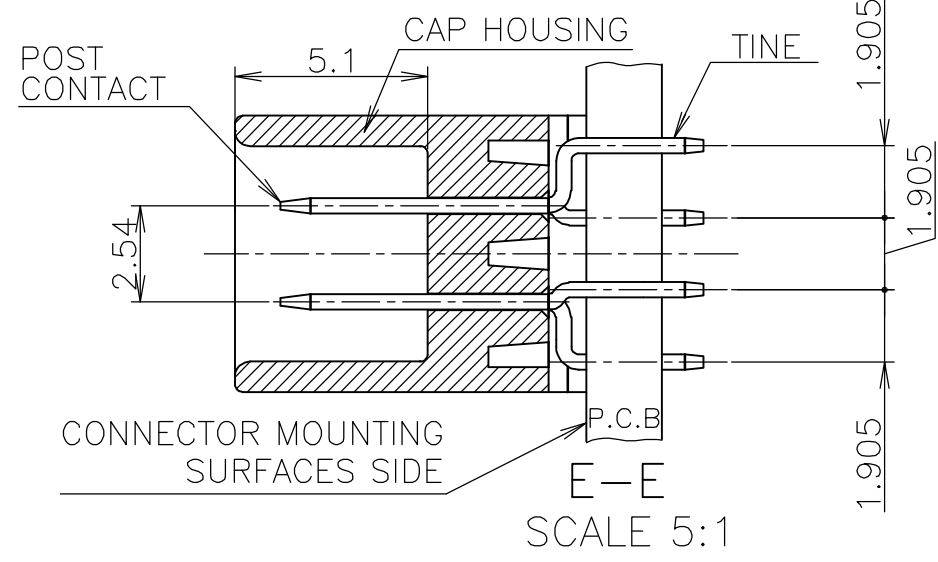
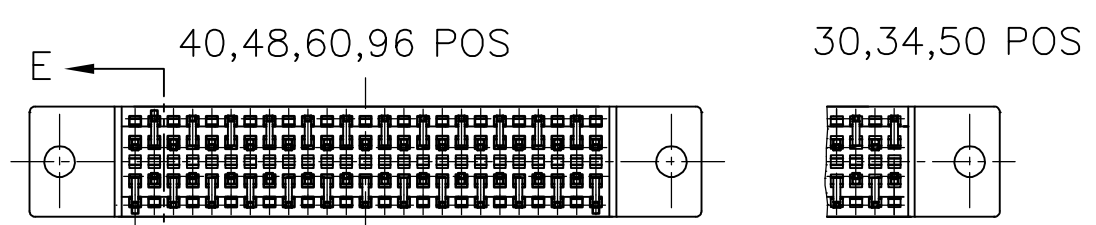


THIS DRAWING IS UNPUBLISHED. RELEASED FOR PUBLICATION OCT, 1984.
 © COPYRIGHT 1984 BY TYCO ELECTRONICS CORPORATION. ALL RIGHTS RESERVED.

LOC	DIST	REVISIONS		
J	/	P	LTR	DESCRIPTION
		A	RELEASED	DATE
				DWN
				APVD
				01APR05
				T.K
				I.E



- 1 USE A P.C.B. WHOSE SURFACES ARE TREATED WITH SOLDER RESIST.
 - 2 SHOW P.C.B LAYOUT FROM THE CONNECTOR-MOUNTING SURFACE SIDE.
 - 3 NUMBER THE CONTACTS IN THE P.C.B OR CONNECTOR CONSECUTIVELY FROM THE **-BSC-** SIDE.
 - 4 WHEN SCREWING THE CONNECTOR TO THE P.C.B, USE M2 SCREW, NUT AND WASHERS.
- ⑤ HOUSING MATERIAL : THERMOPLASTICS (UL94-V0). COLOR:BLACK
 ⑥ CONTACT MATERIAL : COPPER ALLOY
 △ FINISH : NICKEL 1.27μ MIN THK. OVERALL SELECTIVE GOLD 0.2μ MIN THK ON CONTACT AREA AND TIN 1μ MIN THK ON TINE AREA.

	-8	96	47	59.69	65.66	69.66	73.66
	-6	48	23	29.21	35.18	39.18	43.18
	-5	34	16	20.32	26.29	30.29	34.29
	-4	60	29	36.83	42.80	46.80	50.80
	-3	50	24	30.48	36.45	40.45	44.45
	-2	40	19	24.13	30.10	34.10	38.10
5173280-1	30	14	17.78	23.75	27.75	31.75	
P/N	POS	n	A	B	C	D	

GENERAL TOLERANCE
一般公差

10 ≥ : ±0.2
 30 ≥ > 10: ±0.25
 100 ≥ > 30: ±0.3
 ANGLES: ±3°

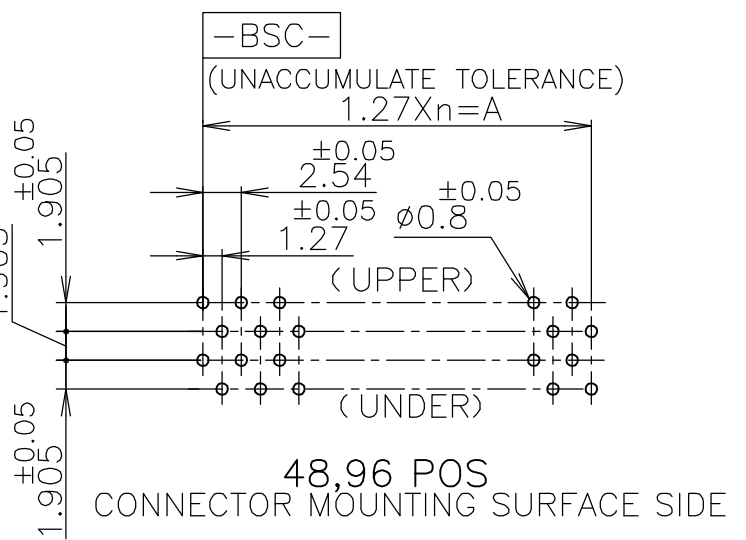
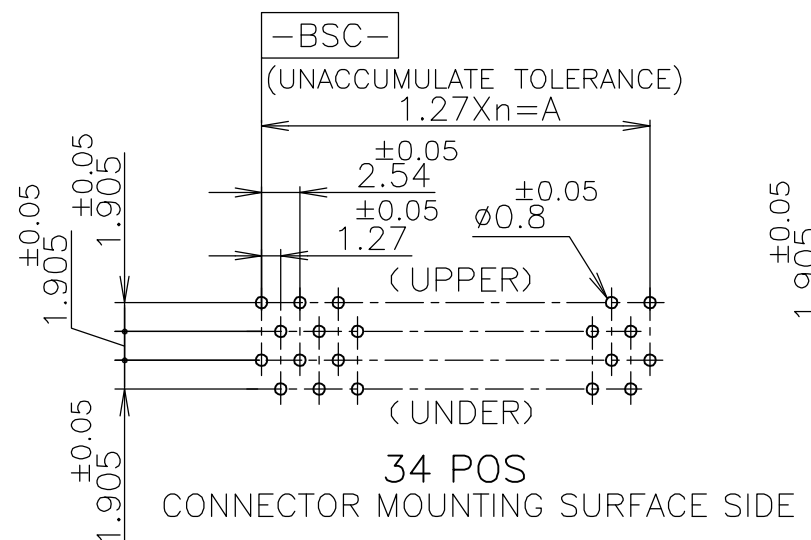
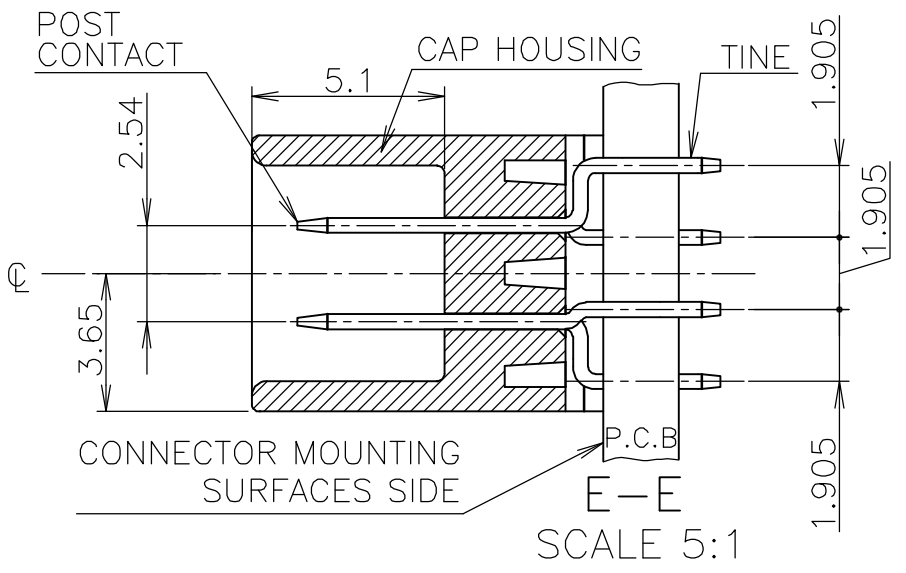
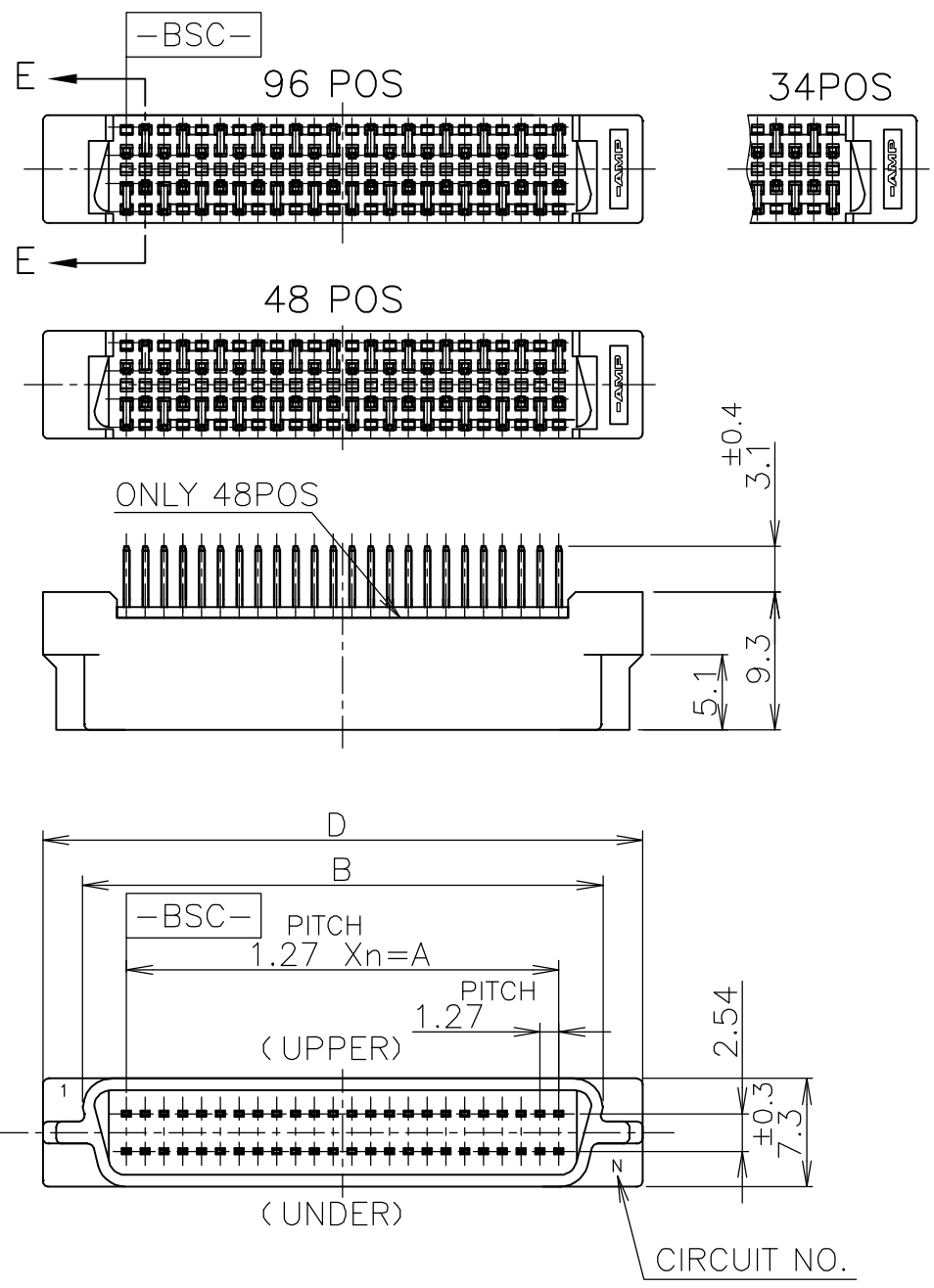
THIS DRAWING IS A CONTROLLED DOCUMENT.

DIMENSIONS: 単位: 耗 MM	TOLERANCES UNLESS OTHERWISE SPECIFIED: 一般公差
0 PLC ± -	1 PLC ± -
2 PLC ± -	3 PLC ± -
4 PLC ± -	ANGLES ± -
MATERIAL 材料	FINISH 仕上
参照 ⑤ ⑥	参照 △

DWN T.KAWAMAE	01APR05	tyco Electronics	Tyco Electronics AMP K.K. Kawasaki, Japan	
CHK I.ENOMOTO	01APR05		NAME 名称	
APVD I.ENOMOTO	01APR05	CAP ASSY VERTICAL AMPLIMITE 050 SERIES I B-TO-B CONN.		
PRODUCT SPEC 製品規格	108-60036	SIZE	CAGE CODE	DRAWING NO 番号
APPLICATION SPEC 取付適用規格		A3	00779	C-5173280
WEIGHT		RESTRICTED TO		
CUSTOMER DRAWING		SCALE 尺度	SHEET	REV
		2:1	1 OF 3	A

THIS DRAWING IS UNPUBLISHED. RELEASED FOR PUBLICATION OCT, 1984.
 © COPYRIGHT 1984 BY TYCO ELECTRONICS CORPORATION. ALL RIGHTS RESERVED.

LOC	DIST	REVISIONS			DATE	DWN	APVD
J	/	P	LTR	DESCRIPTION			
		-	-	SEE SHEET 1	-	-	-



- 1 USE A P.C.B. WHOSE SURFACES ARE TREATED WITH SOLDER RESIST.
- 2 SHOW P.C.B LAYOUT FROM THE CONNECTOR-MOUNTING SURFACE SIDE.
- 3 NUMBER THE CONTACTS IN THE P.C.B OR CONNECTOR CONSECUTIVELY FROM THE [-BSC-] SIDE.

- 4 HOUSING MATERIAL : THERMOPLASTICS (UL94-V0). COLOR:BLACK
- 5 CONTACT MATERIAL : COPPER ALLOY
- 6 FINISH : NICKEL 1.27μ MIN THK. OVERALL SELECTIVE GOLD 0.2μ MIN THK ON CONTACT AREA AND TIN 1μ MIN THK ON TINE AREA.

GENERAL TOLERANCE
一般公差

10 ≥ :	±0.2
30 ≥ > 10:	±0.25
100 ≥ > 30:	±0.3
ANGLES:	±3'

THIS DRAWING IS A CONTROLLED DOCUMENT.

DIMENSIONS: 単位: 耗 MM	TOLERANCES UNLESS OTHERWISE SPECIFIED: 一般公差
	0 PLC ± -
	1 PLC ± -
	2 PLC ± -
	3 PLC ± -
	4 PLC ± -
MATERIAL 材料	ANGLES ± -
SEE 4 5	FINISH 仕上
	SEE 6

DWN	-
CHK	-
APVD	-
PRODUCT SPEC 製品規格	-
APPLICATION SPEC 取付適用規格	-
WEIGHT	-

2-	↑	-8	96	47	59.69	65.66	71.00
2-		-6	48	23	29.21	35.18	40.52
2-5173280-5			34	16	20.32	26.29	31.63
P/N		極数	n	A	B		D

tyco Tyco Electronics AMP K.K. Kawasaki, Japan

Electronics

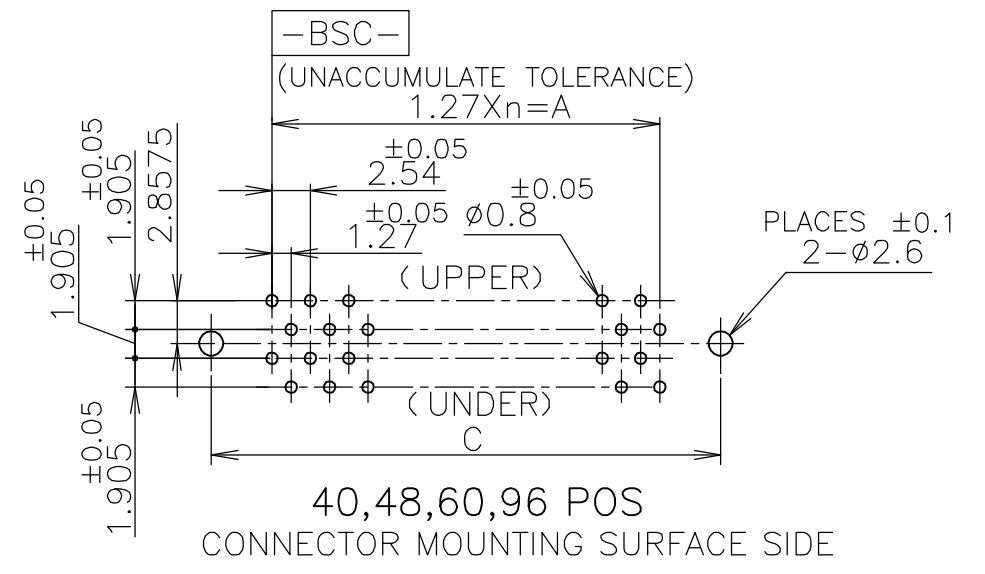
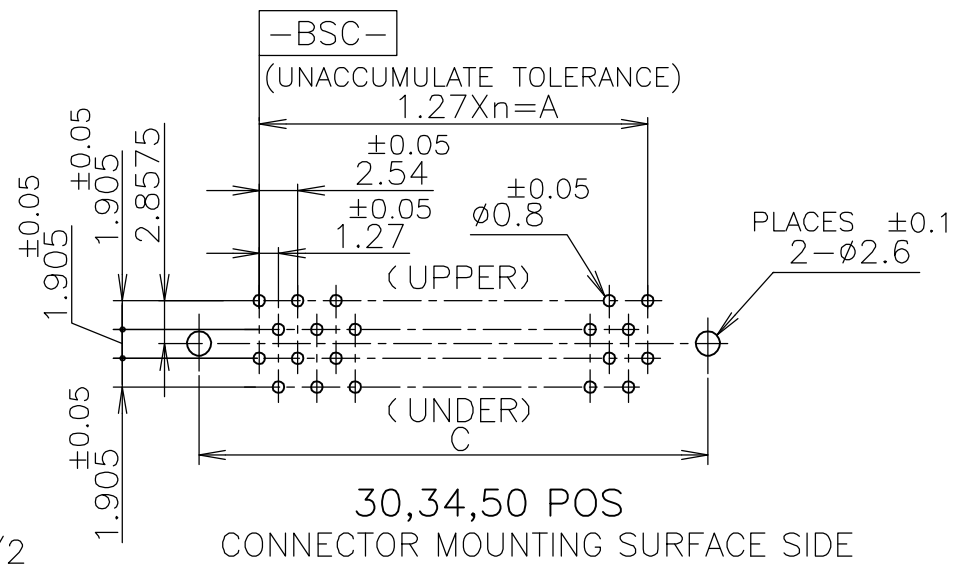
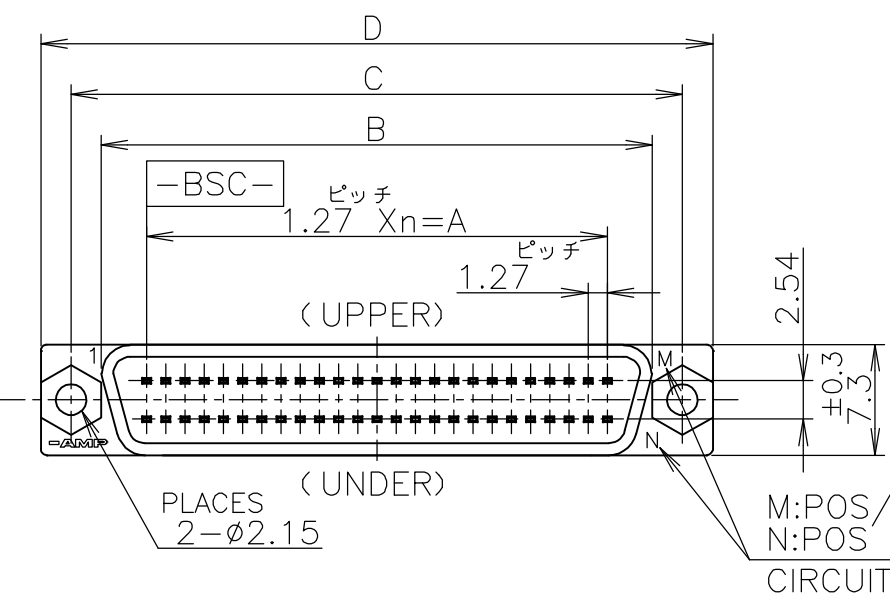
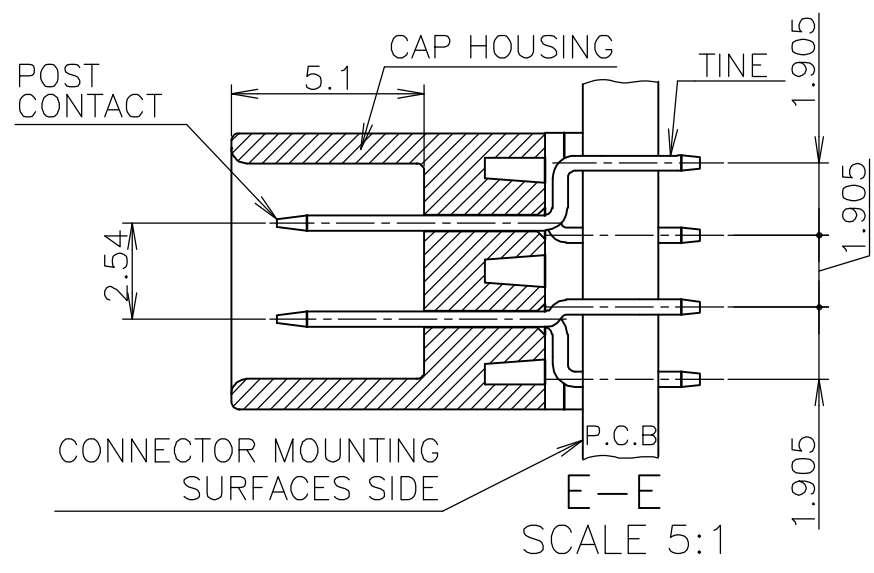
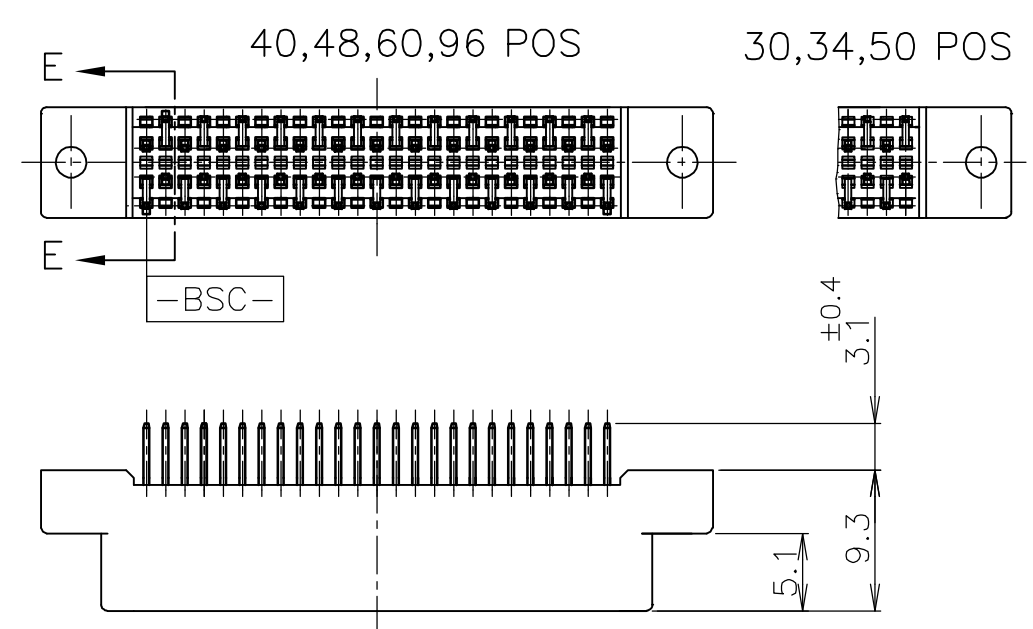
NAME 名称: CAP ASSY VERTICAL
AMPLIMITE .050 SERIES I B-TO-B CONN.

SIZE: A3 CAGE CODE: 00779 DRAWING NO: 5173280 RESTRICTED TO: -

SCALE 尺度: 2:1 SHEET 2 OF 3 REV A

THIS DRAWING IS UNPUBLISHED. RELEASED FOR PUBLICATION OCT, 1984.
 © COPYRIGHT 1984 BY TYCO ELECTRONICS CORPORATION. ALL RIGHTS RESERVED.

LOC	DIST	REVISIONS			DATE	DWN	APVD
J	/	P	LTR	DESCRIPTION			
		-		SEE SHEET 1	-	-	-



- 1 USE A P.C.B. WHOSE SURFACES ARE TREATED WITH SOLDER RESIST.
- 2 SHOW P.C.B LAYOUT FROM THE CONNECTOR-MOUNTING SURFACE SIDE.
- 3 NUMBER THE CONTACTS IN THE P.C.B OR CONNECTOR CONSECUTIVELY FROM THE [-BSC-] SIDE.
- 4 WHEN SCREWING THE CONNECTOR TO THE P.C.B, USE M2 SCREW, NUT AND WASHERS.
- 5 HOUSING MATERIAL : THERMOPLASTICS (UL94-V0). COLOR:BLACK
- 6 CONTACT MATERIAL : COPPER ALLOY
- 7 FINISH : NICKEL 1.27µ MIN THK. OVERALL SELECTIVE GOLD 0.76µ MIN THK ON CONTACT AREA AND TIN 1µ MIN THK ON TINE AREA.

6-	-8	96	47	59.69	65.66	69.66	73.66
6-	-6	48	23	29.21	35.18	39.18	43.18
6-	-5	34	16	20.32	26.29	30.29	34.29
6-	-4	60	29	36.83	42.80	46.80	50.80
6-	-3	50	24	30.48	36.45	40.45	44.45
6-	-2	40	19	24.13	30.10	34.10	38.10
6-5173280-1		30	14	17.78	23.75	27.75	31.75
P/N		POS	n	A	B	C	D

GENERAL TOLERANCE
一般公差

10 ≥	±0.2
30 ≥ > 10	±0.25
100 ≥ > 30	±0.3
ANGLES: ±3°	

THIS DRAWING IS A CONTROLLED DOCUMENT.

DIMENSIONS: 単位: 耗 MM

TOLERANCES UNLESS OTHERWISE SPECIFIED: 一般公差

0 PLC	± -
1 PLC	± -
2 PLC	± -
3 PLC	± -
4 PLC	± -
ANGLES	± -

MATERIAL 材料 SEE 参照

FINISH 仕上 SEE 参照

DWN -

CHK -

APVD -

PRODUCT SPEC 製品規格

APPLICATION SPEC 取付適用規格

WEIGHT

CUSTOMER DRAWING

SCALE 尺度 2:1

SHEET 3 OF 3

REV A

tyco Electronics Tyco Electronics AMP K.K. Kawasaki, Japan

NAME 名称 CAP ASSY VERTICAL AMPLIMITE .050 SERIES I B-TO-B CONN.

SIZE A3 CAGE CODE 00779 DRAWING NO. 番号 C-5173280 RESTRICTED TO