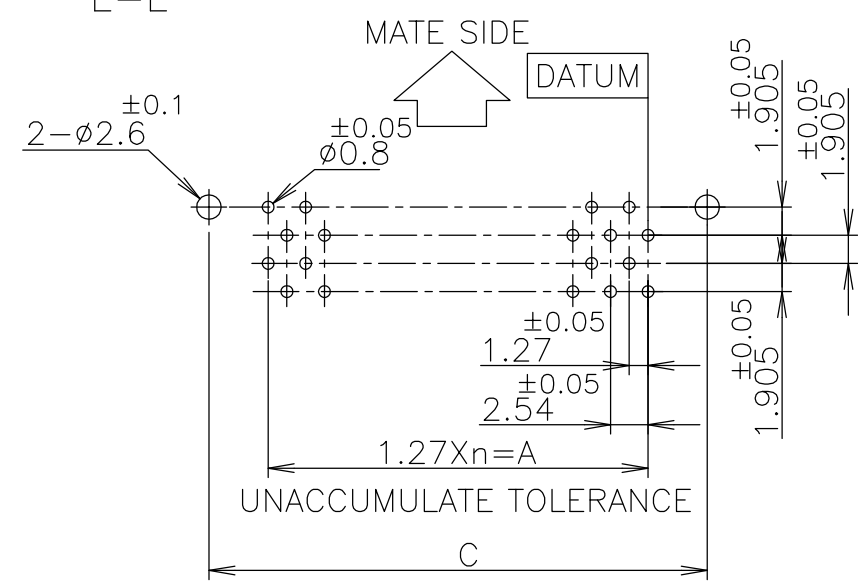
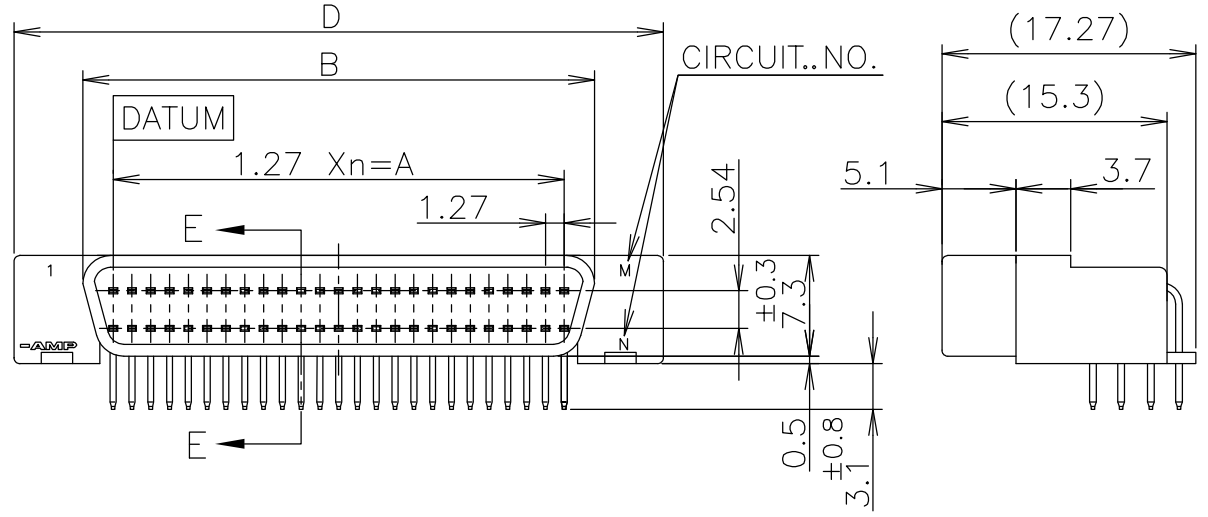
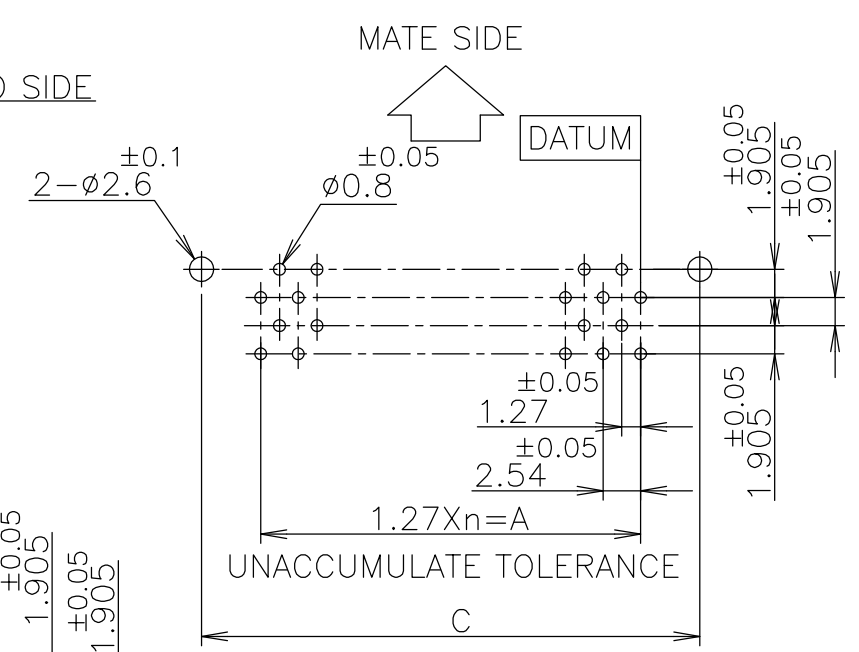
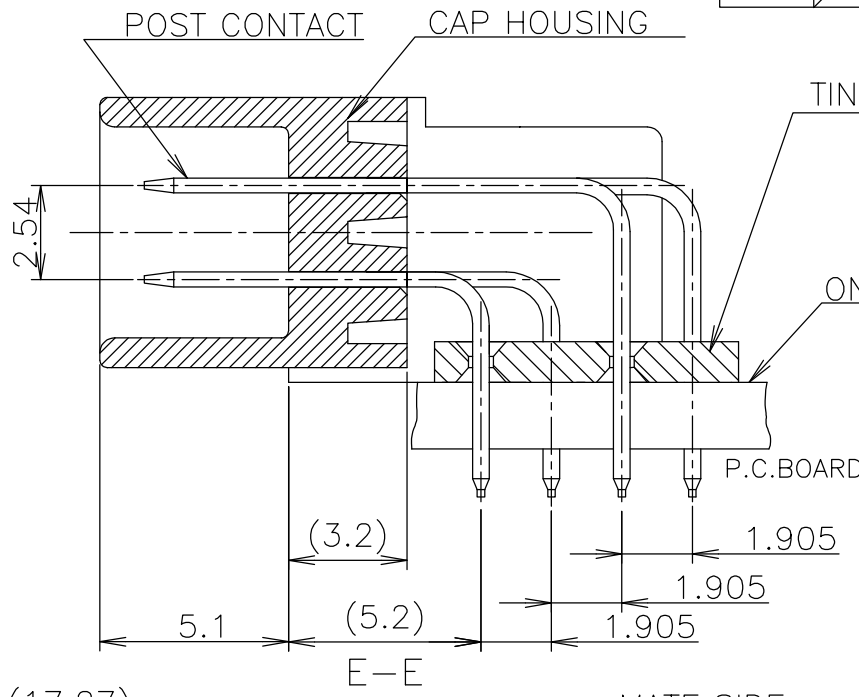
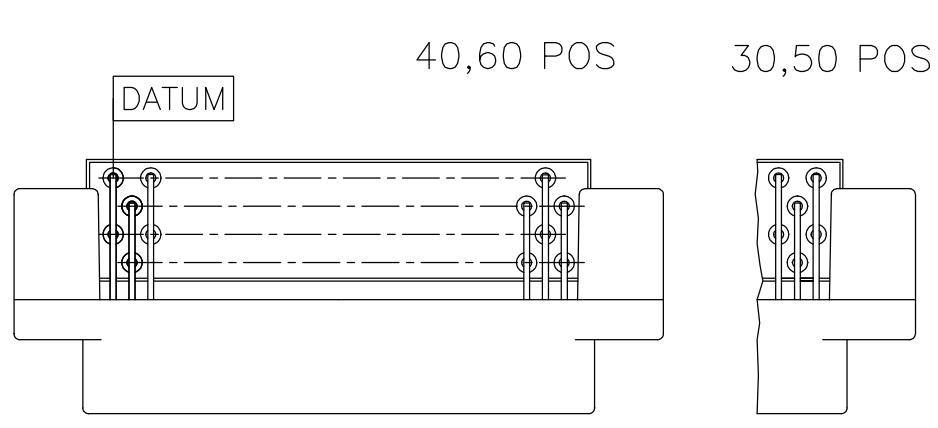


THIS DRAWING IS UNPUBLISHED. RELEASED FOR PUBLICATION AUG .2004.  
 © COPYRIGHT 2004 BY TYCO ELECTRONICS CORPORATION. ALL RIGHTS RESERVED.

LOC	DIST	REVISIONS					
J	/	P	LTR	DESCRIPTION	DATE	DWN	APVD
		A	RELEASED	ECR-06-004803	20AUG04	C.W	I.E



40,60 POS  
ON BOARD SIDE

6-5174218-4	Au PL. 0.00076 MIN.	6-	-4	60	29	36.83	42.80	44.23	48.14
6-5174218-3		6-	-3	50	24	30.48	36.45	37.88	41.79
6-5174218-2		6-	-2	40	19	24.13	30.10	31.53	35.44
6-5174218-1		6-	-1	30	14	17.78	23.75	25.18	29.09
5174218-4	Au PL. 0.0002 MIN.		-4	60	29	36.83	42.80	44.23	48.14
5174218-3			-3	50	24	30.48	36.45	37.88	41.79
5174218-2			-2	40	19	24.13	30.10	31.53	35.44
5174218-1			-1	30	14	17.78	23.75	25.18	29.09
SUPERSEDE BY 5174218-1									
	REMARK	PART NUMBER	POS	n	A	B	C	D	

- USE A P.C.B. WHOSE ARE TREATED WITH SOLDER RESIST.
- SHOW P.C.B LAYOUT FROM ON BOARD SURFACE SIDE.
- NUMBER THE CONTACT IN THE P.C.B OR CONNECTOR CONSECUTIVELY FROM "DATUM" SIDE.
- THIS CONNECTOR IS FIXED BY SOLDERING.
- HOUSING MATERIAL : P.B.T(UL94V-0) / BLACK
- CONTACT MATERIAL : PHO-BRONZE
- FINISH : NICKEL 0.00127 MIN THK. OVERALL SELECTIVE GOLD 0.00076 OR 0.0002 MIN. THK ON CONTACT AREA AND TIN 0.001 MIN THK. ON TINE AREA.

GENERAL TOLERANCE

10 ≥ :	±0.2
30 ≥ > 10 :	±0.25
100 ≥ > 30 :	±0.3
ANGLES :	±3°

THIS DRAWING IS A CONTROLLED DOCUMENT.		DWN	COREL WANG	20AUG04	Tyco Electronics AMP K.K. Kawasaki.Japan			
DIMENSIONS: MM		CHK	STEVEN YAO	20AUG04				
TOLERANCES UNLESS OTHERWISE SPECIFIED:		APVD	IENOMOTO	20AUG04	NAME CAP ASSY (HORIZONTAL / W/O LEG) AMPLIMITE .050 SERIES I B-TO-B CONN.			
0 PLC ±		PRODUCT SPEC	108-60036					
1 PLC ±		APPLICATION SPEC			SIZE	CAGE CODE	DRAWING NO	RESTRICTED TO
2 PLC ±		WEIGHT			A3	00779	©=5174214	-
3 PLC ±		CUSTOMER DRAWING		SCALE	2:1	SHEET	1 OF 1	REV
4 PLC ±								A
ANGLES ±								
FINISH								
SEE NOTE 5, 6								
SEE NOTE 7								