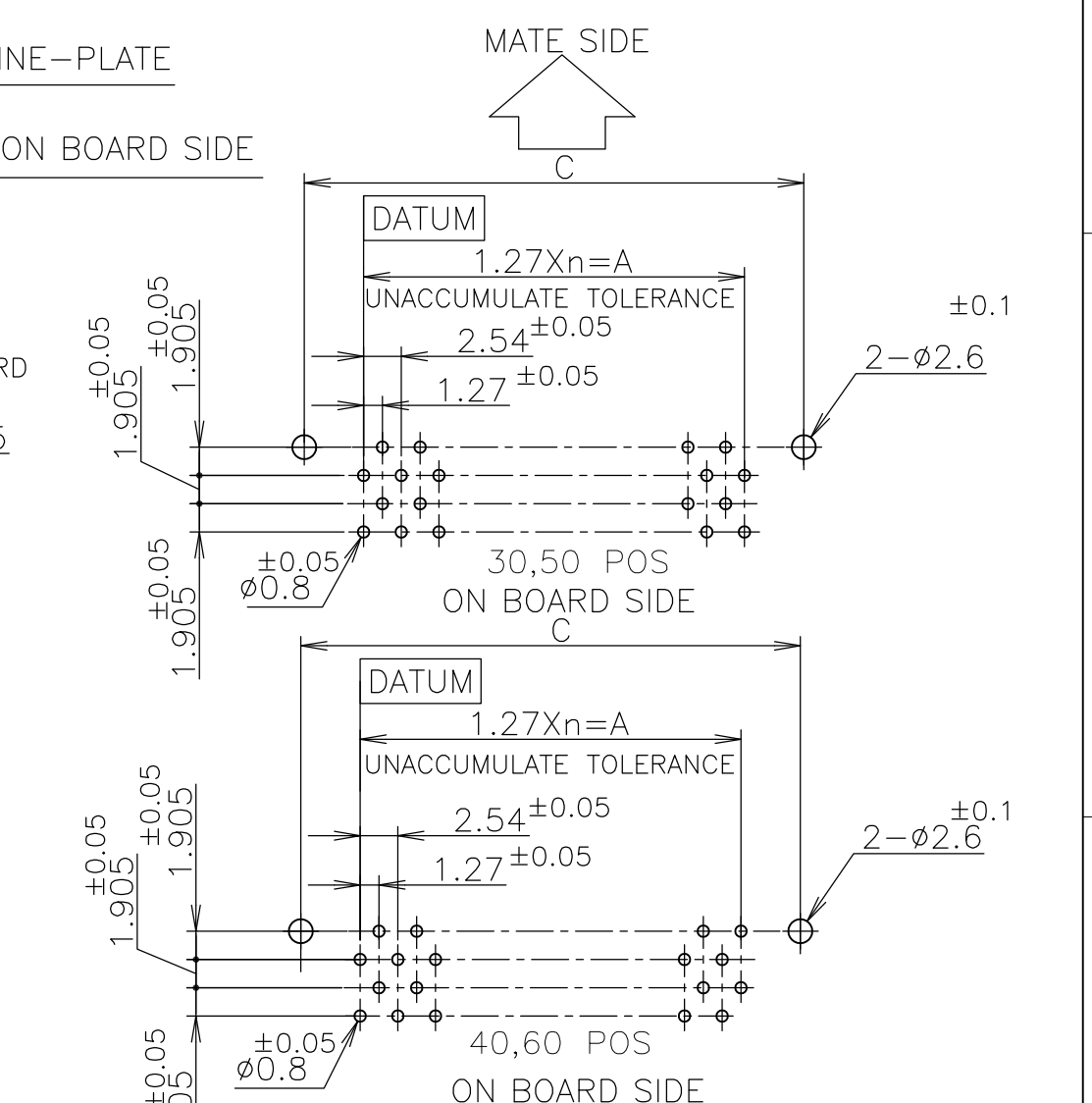
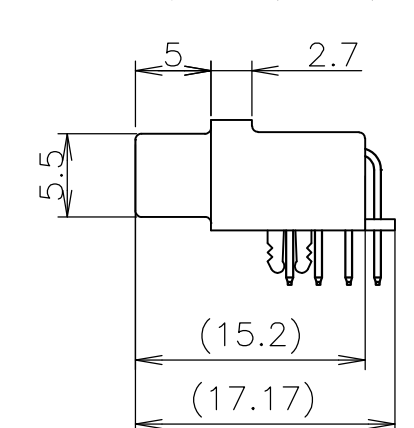
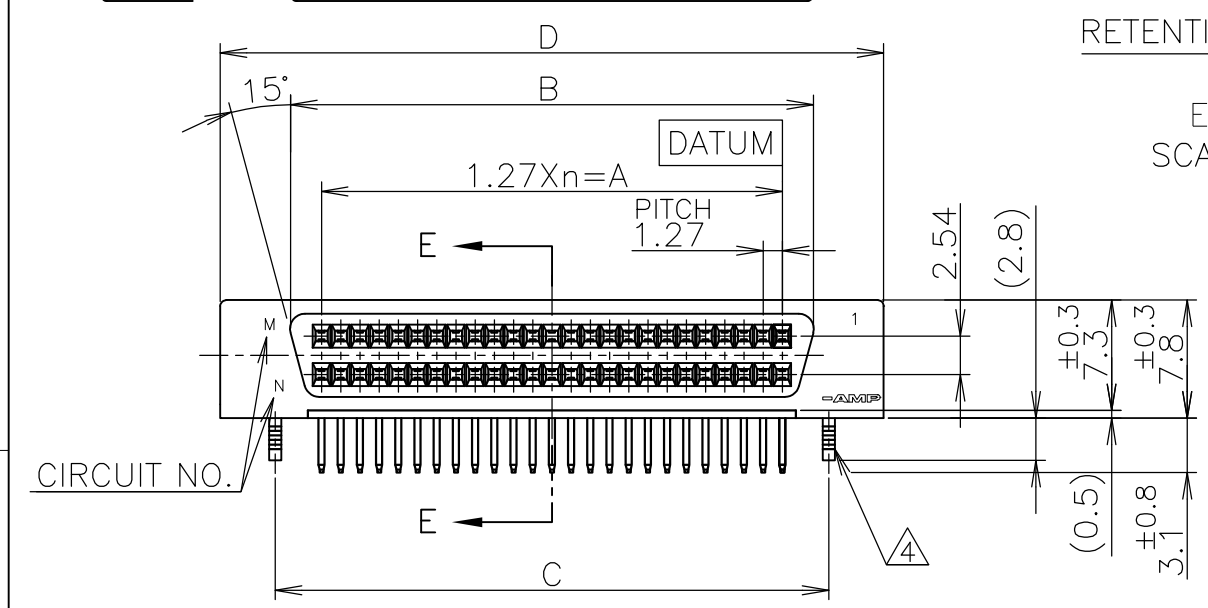
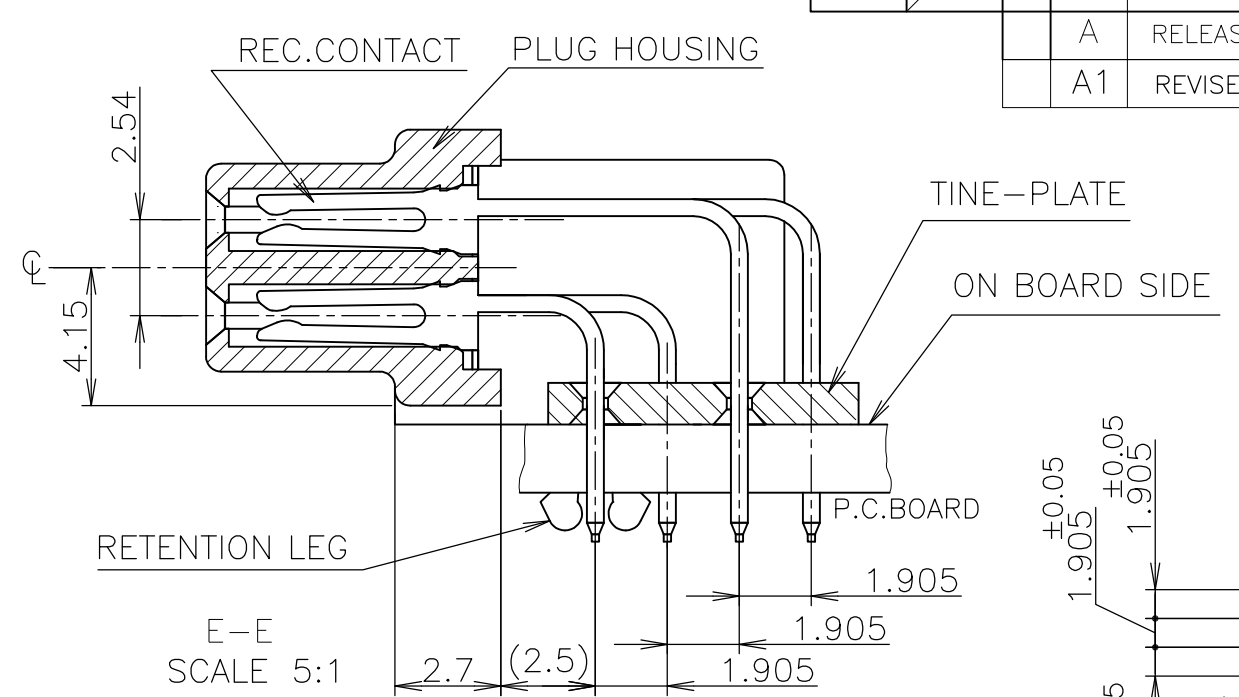
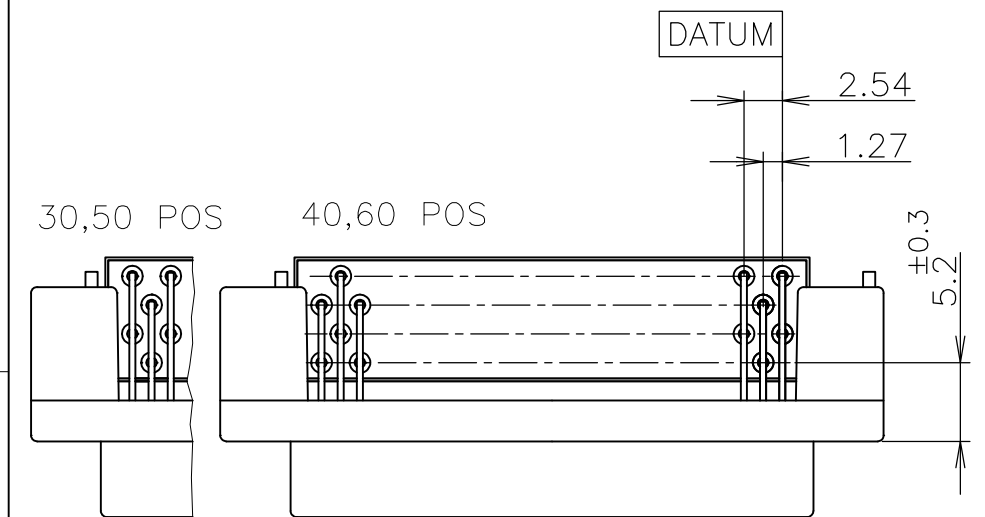


THIS DRAWING IS UNPUBLISHED. RELEASED FOR PUBLICATION MAR, 1988.
 © COPYRIGHT 1988 BY TYCO ELECTRONICS CORPORATION. ALL RIGHTS RESERVED.

LOC	DIST	REVISIONS					
J	/	P	LTR	DESCRIPTION	DATE	DWN	APVD
			A	RELEASED	06JUL04	G.Z.	I.E.
			A1	REVISED PER ECO-09-024927	09NOV09	KK	AEG



- 1 USE A P.C.B. WHOSE ARE TREATED WITH SOLDER RESIST.
- 2 SHOW P.C.B LAYOUT FROM ON BOARD SURFACE SIDE.
- 3 NUMBER THE CONTACT IN THE P.C.B OR CONNECTOR CONSECUTIVELY FROM "DATUM" SIDE.
- 4 THE RETENTION LEG IS A TEMPORARY FIX BEFORE SOLDERING
- 5 HOUSING MATERIAL : P.B.T(UL94V-0) / BLACK
- 6 CONTACT MATERIAL : PHO-BRONZE
- 7 CONTACT FINISH : NICKEL 0.00127 MIN THK. OVERALL SELECTIVE GOLD 0.00076 MIN OR 0.0002 MIN. THK ON CONTACT AREA AND TIN 0.001 MIN THK. ON TINE AREA.
- 8 RETENTION LEG FINISH:0.002 MIN TIN PL. OVER 0.001 MIN NICKEL PL.
- 9 RETENTION LEG MATERIAL:BRASS
- 10 OBSOLETE PARTS: OBSOLETE CIS STREAMLINING PER D.RENAUD/D.SINISI

6-	-4	60	29	36.83	41.00	44.23	48.14	Au PL. 0.00076 MIN.
6-	-3	50	24	30.48	34.65	37.88	41.72	
6-	-2	40	19	24.13	28.30	31.53	35.44	Au PL. 0.0002 MIN.
6-	-1	30	14	17.78	21.95	25.18	29.09	
	-4	60	29	36.83	41.00	44.23	48.14	Au PL. 0.0002 MIN.
	-3	50	24	30.48	34.65	37.88	41.72	
	-2	40	19	24.13	28.30	31.53	35.44	
5174217-1		30	14	17.78	21.95	25.18	29.09	
PART NUMBER	POS	n	A	B	C	D	REMARK	

THIS DRAWING IS A CONTROLLED DOCUMENT.

DWN GAVIN ZHANG 06JUL04
 CHK T. KAWAMAE 06JUL04
 APVD I. ENOMOTO 06JUL04

Tyco Electronics Tyco Electronics AMP K.K. Kawasaki, Japan

NAME 名称: PLUG ASSY (HORIZONTAL / W/LEG)
 PRODUCT SPEC 製品規格: AMPLIMITE .050 SERIES I B-TO-B CONN.
 APPLICATION SPEC 取付適用規格: 108-60036

SIZE A3 CAGE CODE 00779 DRAWING NO 番号 G-5174217 RESTRICTED TO

WEIGHT CUSTOMER DRAWING SCALE 尺度 2:1 SHEET 1 OF 1 REV A1

GENERAL TOLERANCE 一般公差

10 ≥	±0.2
30 ≥ > 10	±0.25
100 ≥ > 30	±0.3
ANGLES: ±3°	

DIMENSIONS: 単位: 耗 MM

TOLERANCES UNLESS OTHERWISE SPECIFIED: 一般公差

0 PLC	± -
1 PLC	± -
2 PLC	± -
3 PLC	± -
4 PLC	± -
ANGLES	± -

MATERIAL 材料: SEE NOTE 5, 6, 9
 FINISH 仕上: SEE NOTE 7, 8