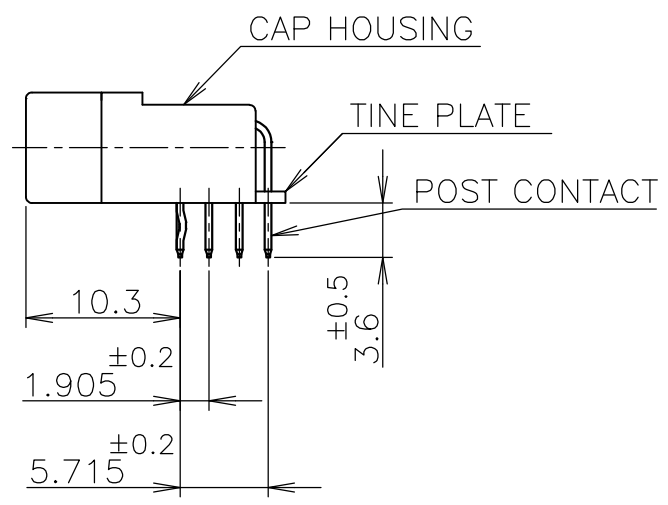
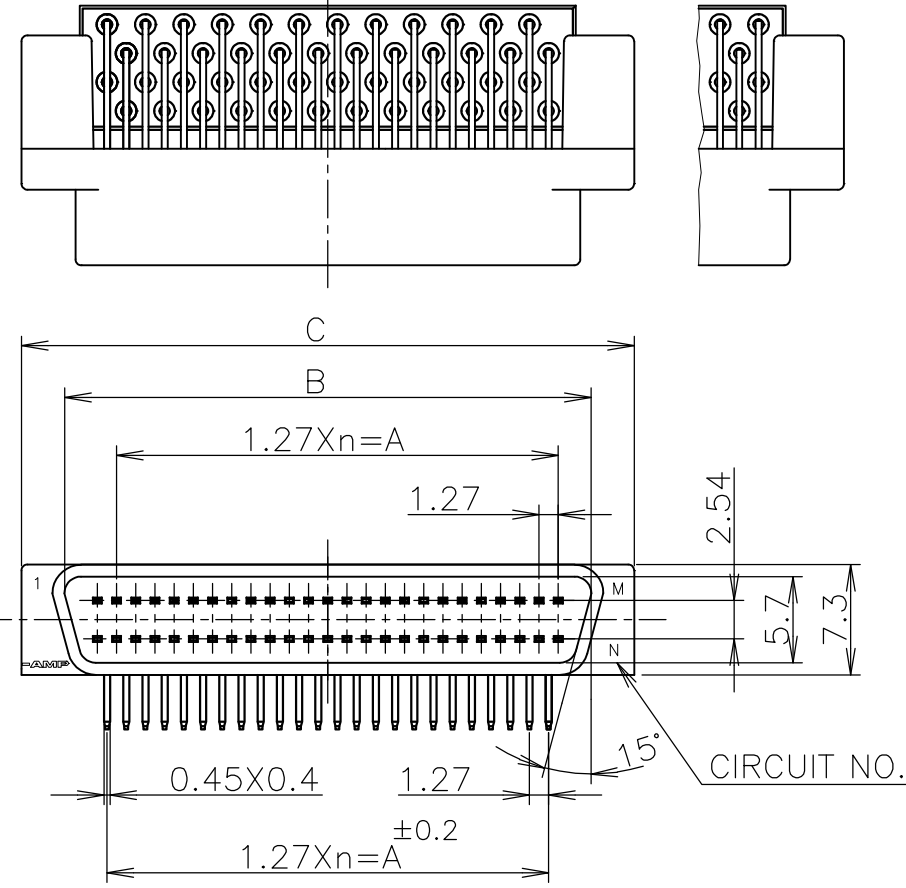


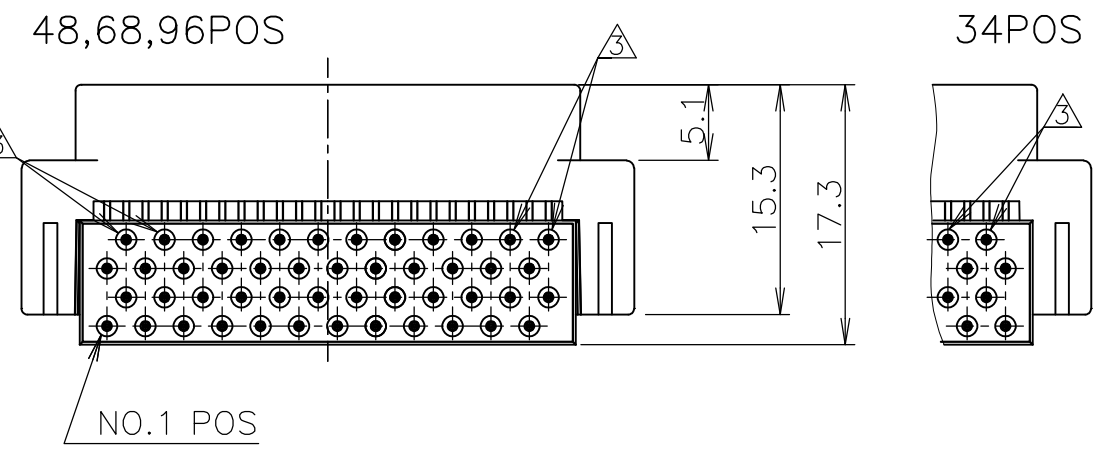
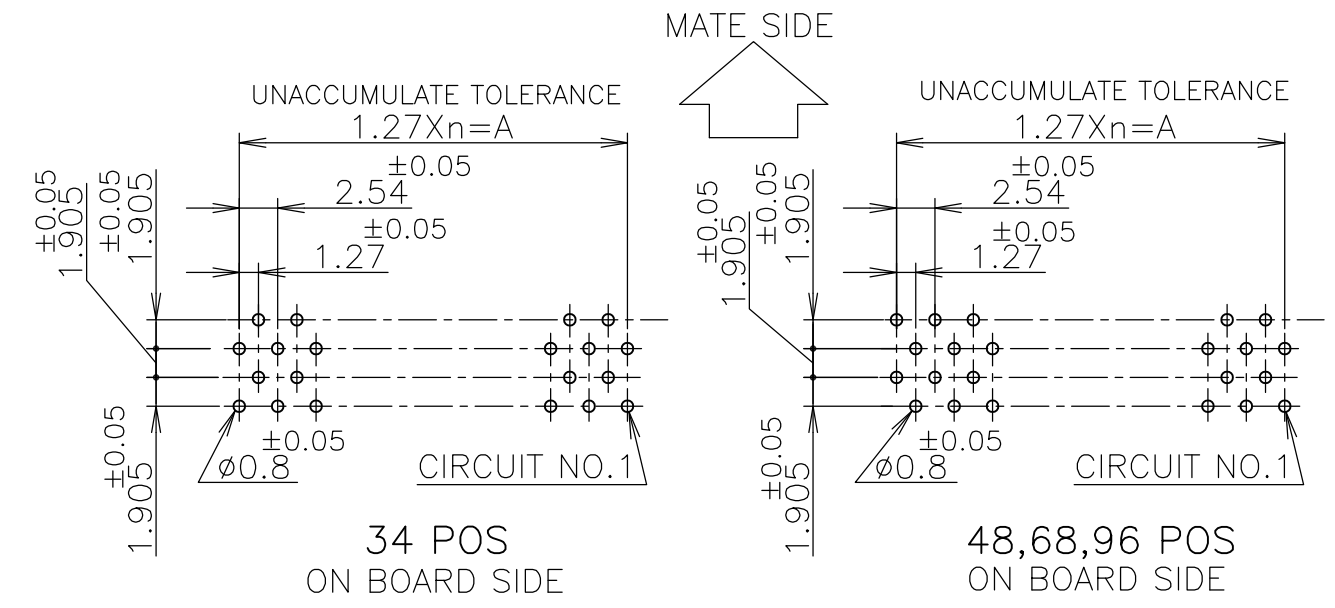
THIS DRAWING IS UNPUBLISHED. RELEASED FOR PUBLICATION AUG, 2004.  
 © COPYRIGHT 2004 BY TYCO ELECTRONICS CORPORATION. ALL RIGHTS RESERVED.

LOC	DIST	REVISIONS			
P	LTR	DESCRIPTION	DATE	DWN	APVD
J	/	01	REVISED PER ECO-10-000444	19JAN10	KK HMR

48,68,96 POS      34 POS



- 1 MATERIAL AND FINISH  
 CAP HOUSING AND TINE PLATE  
 ; THERMOPLASTIC (UL94V-0) COLOR:BLACK  
 POST CONTACT  
 ; PHOS-BRONZE FINISH, OVER NICKEL  
 MATING END: 0.0002 MIN. OR  
 0.00076 MIN. GOLD  
 TERMINATION END: TIN  
 OVER SEALING TREATMENT.
- 2 P.C.B. LAYOUT AND P.C.B. TREATMENT(REF.)  
 USE A P.C.B. SURFACE ARE TREATED WITH SOLDER RESIST.
- 3 KINK POSITIONS(4 POSITIONS).
- 4 OBSOLETE PARTS: OBSOLETE CIS STREAMLINING PER  
 D.RENAUD/D.SINISI



Au PL. 0.0002 MIN.	96	48	59.69	64.06	71.00	47	96	5174684-8
	68	34	41.91	46.28	53.22	33	68	5174684-7
	48	24	29.21	33.58	40.52	23	48	5174684-6
	34	17	20.32	24.69	31.63	16	34	5174684-5
REMARK	N	M	A	B	C	n	POS.	PART NO.
	CIRCUIT NO.		DIMENSION					

4 OBSOLETE

THIS DRAWING IS A CONTROLLED DOCUMENT.

DWN COREL WANG 23AUG04	 Tyco Electronics AMP K.K. Kawasaki, Japan
CHK STEVEN YAO 23AUG04	
APVD I.ENOMOTO 23AUG04	
PRODUCT SPEC 108-60036	
APPLICATION SPEC	NAME CAP ASSY HORIZONTAL (W/KINK) AMPLIMITE .050 SERIES I B-TO-B CONN.
WEIGHT	SIZE A3
CUSTOMER DRAWING	CAGE CODE 00779
	DRAWING NO G-5174684
	RESTRICTED TO
	SCALE NTS
	SHEET 1 OF 1
	REV 01

GENERAL TOLERANCE  
 10 ≥ : ±0.2  
 30 ≥ > 10: ±0.25  
 100 ≥ > 30: ±0.3  
 ANGLES: ±3°

LEAD FREE