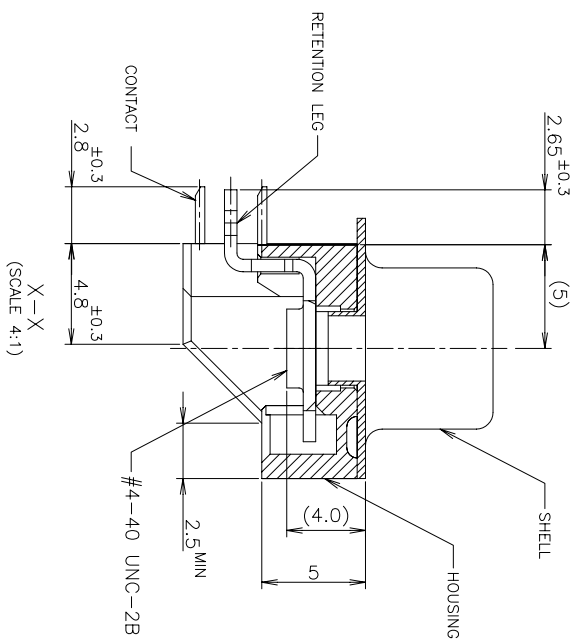
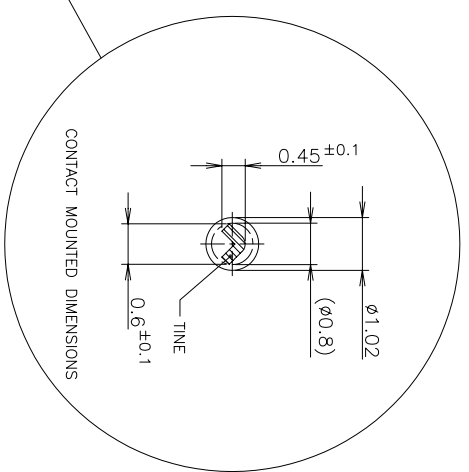
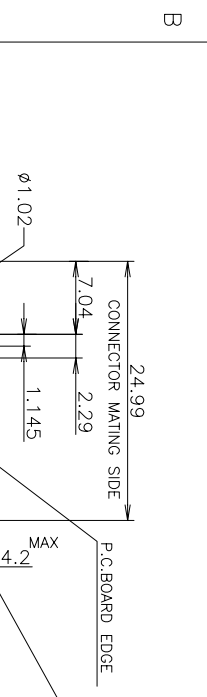
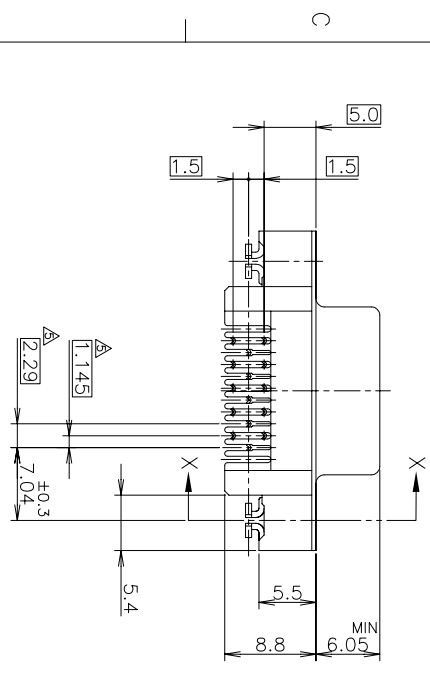
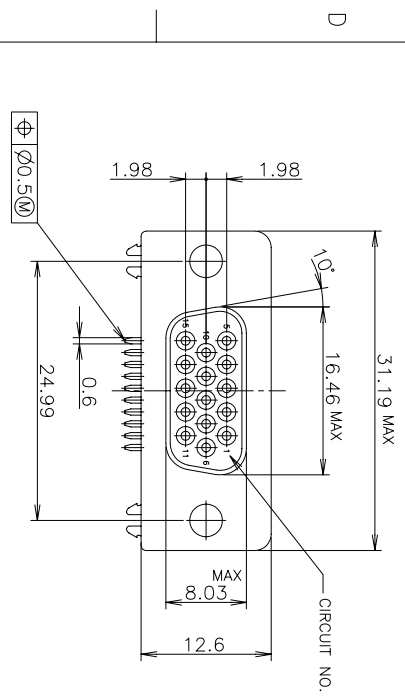
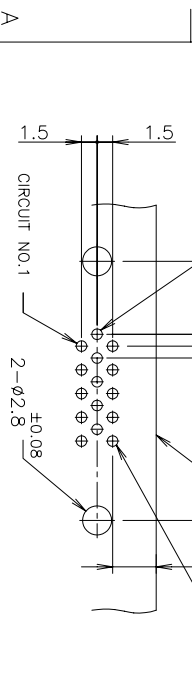


LOC	DIST	P	LTR	DESCRIPTION	DATE	DMN	APVD
J		A		RELEASE (ECR-05-001155)	5APR05	L.Z	I.E



- THESE PRODUCTS CONFORM AMP SPEC. 108-5401.
- MATERIAL HOUSING: THERMOPLASTEC  
 SHELL: CARBON STEEL  
 CONTACT: COPPER ALLOY  
 RETENTION LEG: COPPER ALLOY
- FINISH CONTACT: GOLD PL.  
 SHELL: NICKEL PL.  
 RETENTION LEG: TIN PL.
- SCREWLOCK OR SCREW MUST BE ASSEMBLED BEFORE PLUG CONNECTOR MATING.  
 (SCREW ON TORQUE: 5kg-cmMAX)  
 P. C. BOARD MOUNTING DIMENSION CONFORM MIL SPEC. (MS-18273)



P. C. BOARD MOUNTING DIMENSIONS (±0.1)  
 THK=0.8~1.6

GENERAL TOLERANCE

10 ≥ : ±0.2
30 ≥ > 10 : ±0.25
100 ≥ > 30 : ±0.3
ANGLES : ±3°

THIS DRAWING IS A CONTROLLED DOCUMENT.

DIMENSIONS:	TOLERANCES UNLESS OTHERWISE SPECIFIED:
mm	±
0 PL	±
1 PL	±
2 PL	±
3 PL	±
4 PL	±
ANGLES	±

DMN	5APR05
LEO ZHOU	5APR05
CHK STEVEN YAO	5APR05
APVD I. ENOMOTO	
PRODUCT SPEC	
APPLICATION SPEC	
WEIGHT	
CUSTOMER DRAWING	

NAME	Tyco Electronics
RECEPTACLE ASSY RIGHT ANGLE SIZE 1, 15P	
LOW PROFILE STD-D P.C.B t=0.8~1.6 DIP	
SHELL: NICKEL PL. AMPLIMITE III-J ULTRA SLIM HD-22	
SIZE	A3
CAGE CODE	00779
DRAWING NO	5179696
RESTRICTED	

AU: 0.00076 MIN.	5179696-9
FINISH	P/N