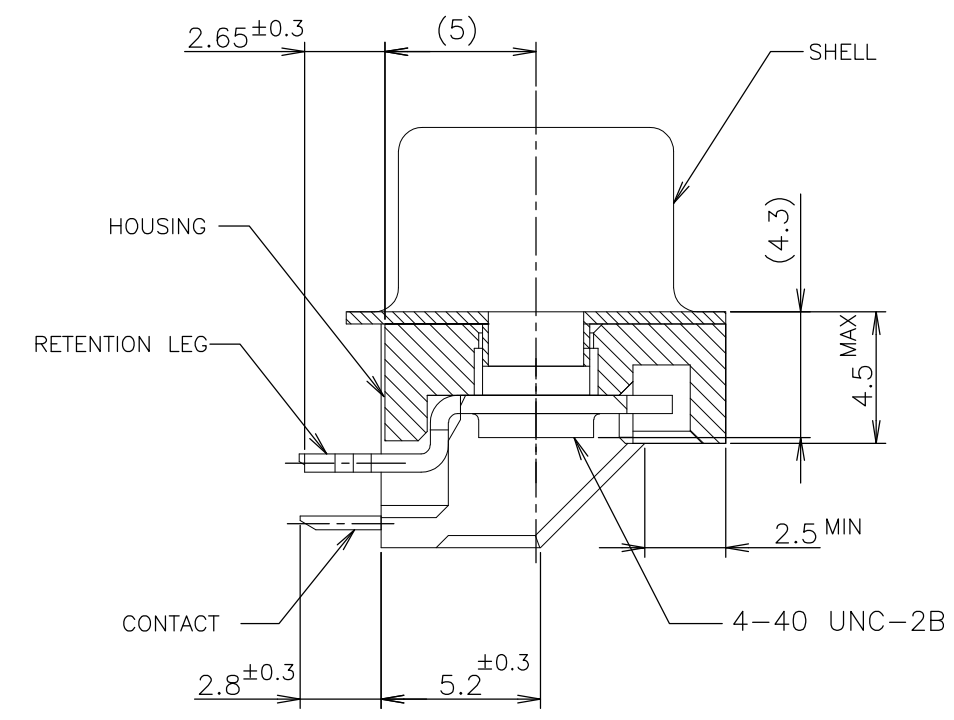
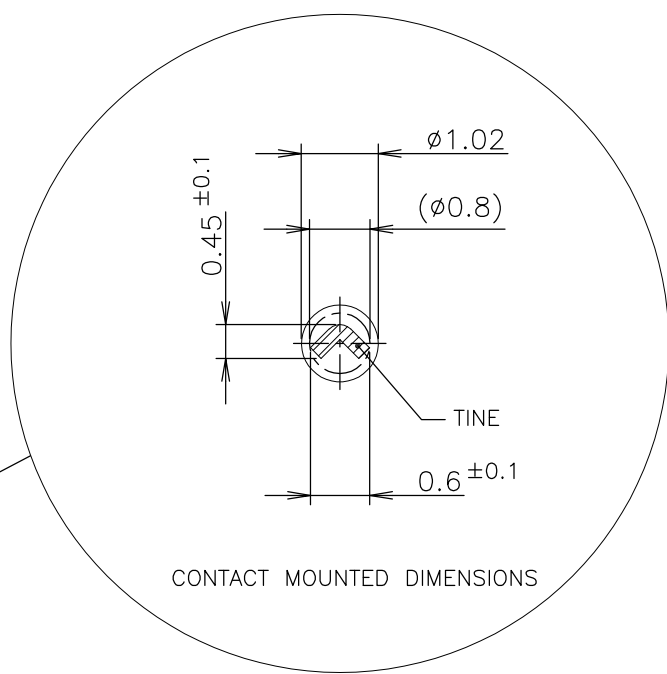
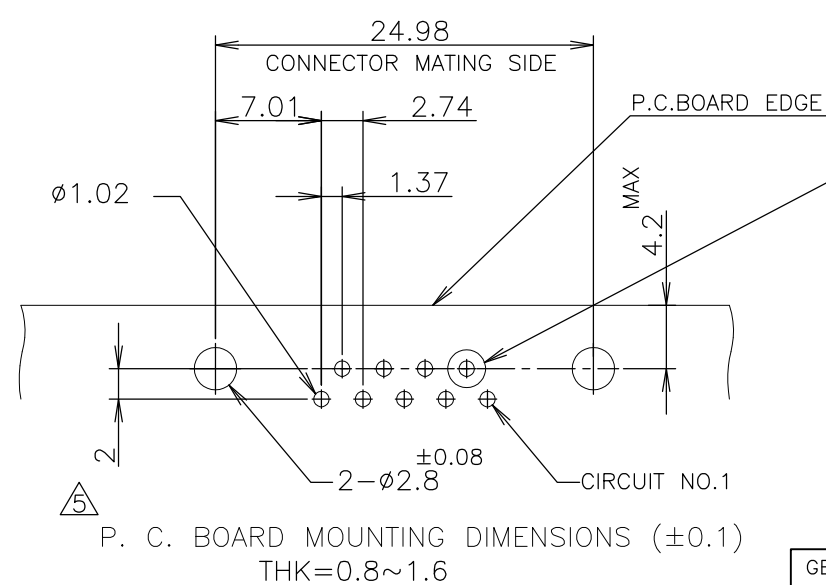
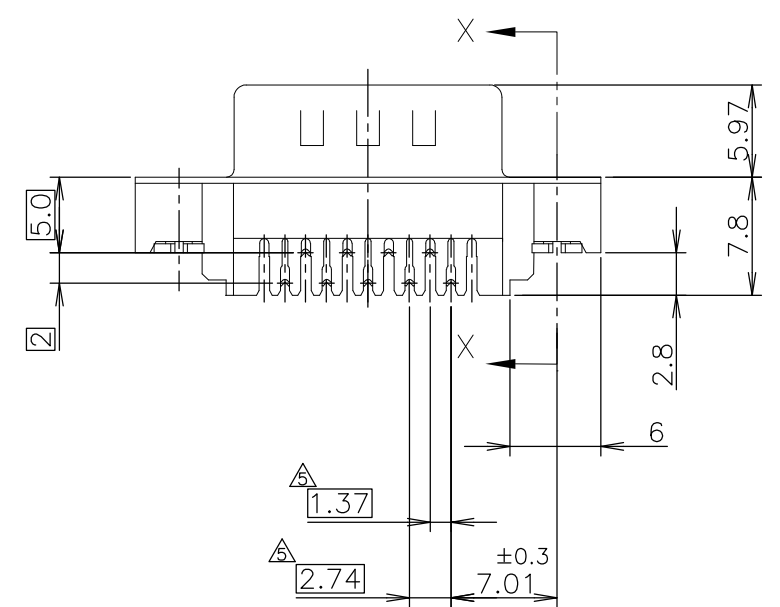
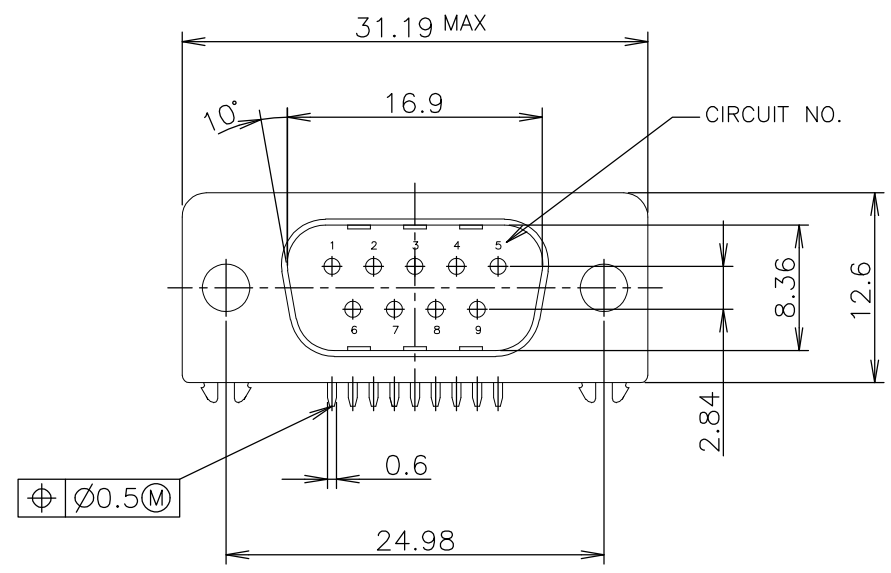


THIS DRAWING IS UNPUBLISHED. RELEASED FOR PUBLICATION JUN , 1994.
 © COPYRIGHT 1994 BY TYCO ELECTRONICS CORPORATION. ALL RIGHTS RESERVED.

LOC	DIST	REVISIONS			
P	LTR	DESCRIPTION	DATE	DWN	APVD
J		A	RELEASE (ECR-05-001155)	5APR05	L.Z I.E
		A1	REVISED PER ECO-09-024927	10NOV09	KK AEG



- 1 THESE PRODUCTS CONFORM AMP SPEC 108-5400.
- △ MATERIAL
HOUSING: THERMOPLASTEC
SHELL: CARBON STEEL
CONTACT: COPPER ALLOY
RETENTION LEG: COPPER ALLOY
- △ FINISH
CONTACT: GOLD PL.
SHELL: TIN PL.
RETENTION LEG: TIN PL.
- 4 SCREWLOCK OR SCREW MUST BE ASSEMBLED BEFORE RECEPTACLE CONNECTOR MATING. (SCREW ON TORQUE: 5kg-cmMAX)
- △ P. C. BOARD MOUNTING DIMENSION CONFORM MIL SPEC.(MS-18273)
- △ OBSOLETE PARTS: OBSOLETE CIS STREAMLINING PER D.RENAUD/D.SINISI

6	Au: 0.00076 MIN.	9
	Au: FLASH	5179952-3
	FINISH	P/N

THIS DRAWING IS A CONTROLLED DOCUMENT.		DWN LEO ZHOU 5APR05	Tyco Electronics AMP K.K. Kawasaki, Japan		
DIMENSIONS: mm		CHK STEVEN YAO 5APR05	NAME		
TOLERANCES UNLESS OTHERWISE SPECIFIED:		APVD I.ENOMOTO 5APR05	PLUG ASSY RIGHT ANGLE SIZE 1, 9P		
0 PLC ±		PRODUCT SPEC	LOW PROFILE STD-D P.C.B t=0.8~1.6 DIP L=2.80		
1 PLC ±			AMPLIMITE III-J ULTRA SLIM HD-20		
2 PLC ±			SIZE	CAGE CODE	DRAWING NO
3 PLC ±			A3	00779	C-5179952
4 PLC ±		WEIGHT	RESTRICTED TO		
ANGLES ±		CUSTOMER DRAWING			
FINISH		SCALE 2:1	SHEET 1 OF 1	REV A1	

GENERAL TOLERANCE
 10 ≥ : ±0.2
 30 ≥ > 10: ±0.25
 100 ≥ > 30: ±0.3
 ANGLES : ±3°