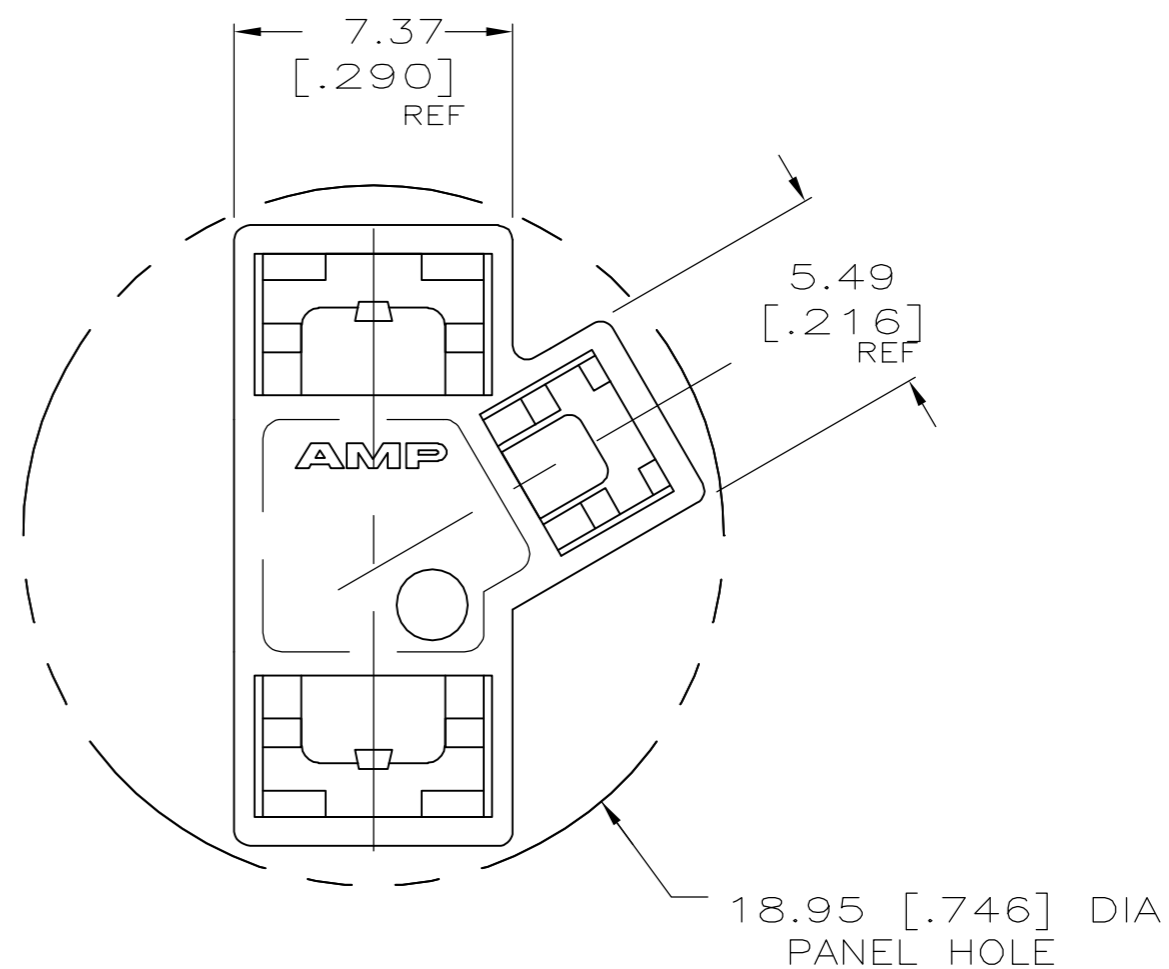
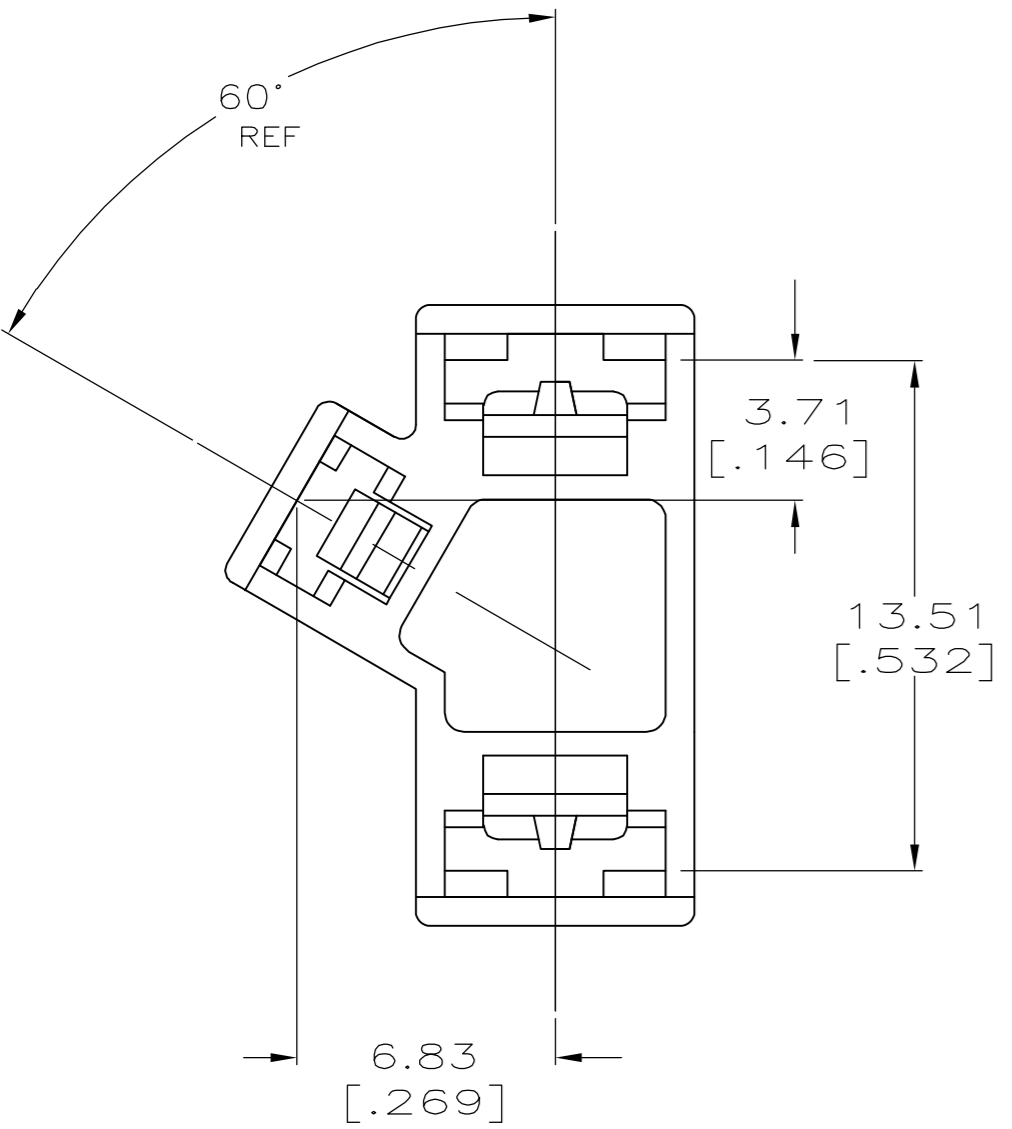
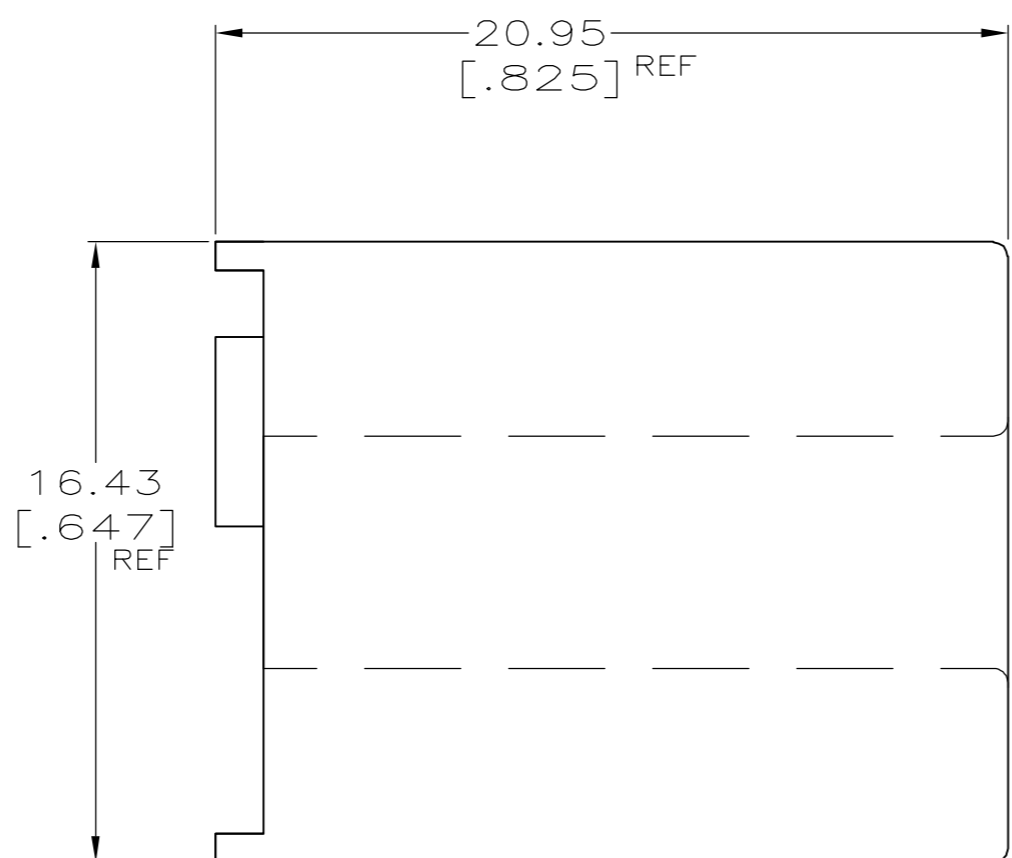
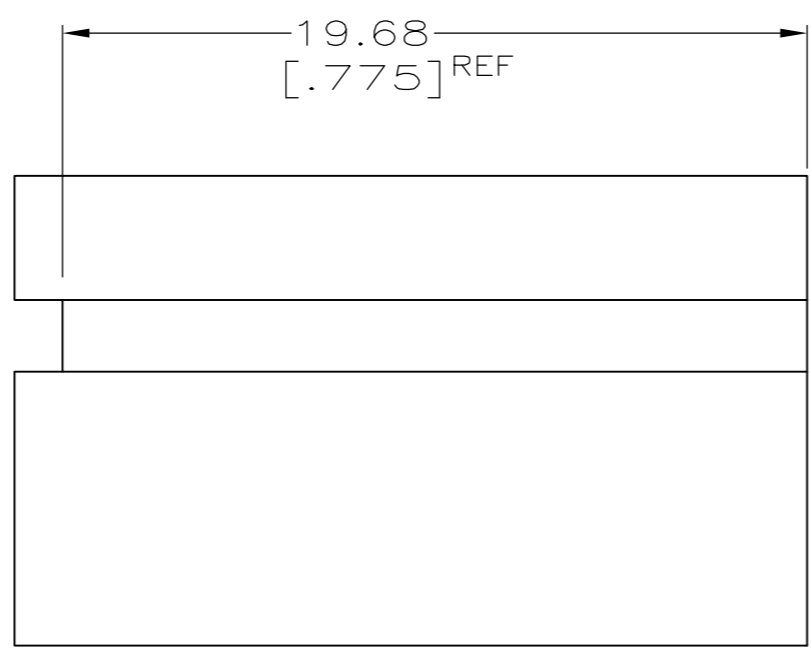


THIS DRAWING IS UNPUBLISHED. RELEASED FOR PUBLICATION
 © COPYRIGHT BY TYCO ELECTRONICS CORPORATION. ALL RIGHTS RESERVED.

LOC		DIST		REVISIONS			
P	LTR	DESCRIPTION		DATE	DWN	APVD	
AF	50	E		REV PER ECR 05-013025	10JAN06	JR	PD



4/6 NYLON 150 °C	520978-2
6/6 NYLON	520978-1
MATERIAL	PART NO.

THIS DRAWING IS A CONTROLLED DOCUMENT.		DWN	JR RUTH	10/2/90	Tyco Electronics Corporation Harrisburg, PA 17105-3608							
DIMENSIONS: MM [INCHES]		CHK	MS FEHER	10/2/90								
TOLERANCES UNLESS OTHERWISE SPECIFIED:		APVD	C MEYERS	10/2/90								
0 PLC ± - 1 PLC ± - 2 PLC ± - 3 PLC ± 0.25 [010] 4 PLC ± - ANGLES ± - FINISH NATURAL		NAME		HOUSING, RECEPTACLE, FASTON, 2.79 [.110] & 4.75 [.187] SERIES								
MATERIAL	SEE TABLE	PRODUCT SPEC	APPLICATION SPEC		SIZE	A2	CAGE CODE	00779	DRAWING NO	C=520978	RESTRICTED TO	-
CUSTOMER DRAWING		WEIGHT	-		SCALE	5:1		SHEET	1 of 1		REV	E

520978

A