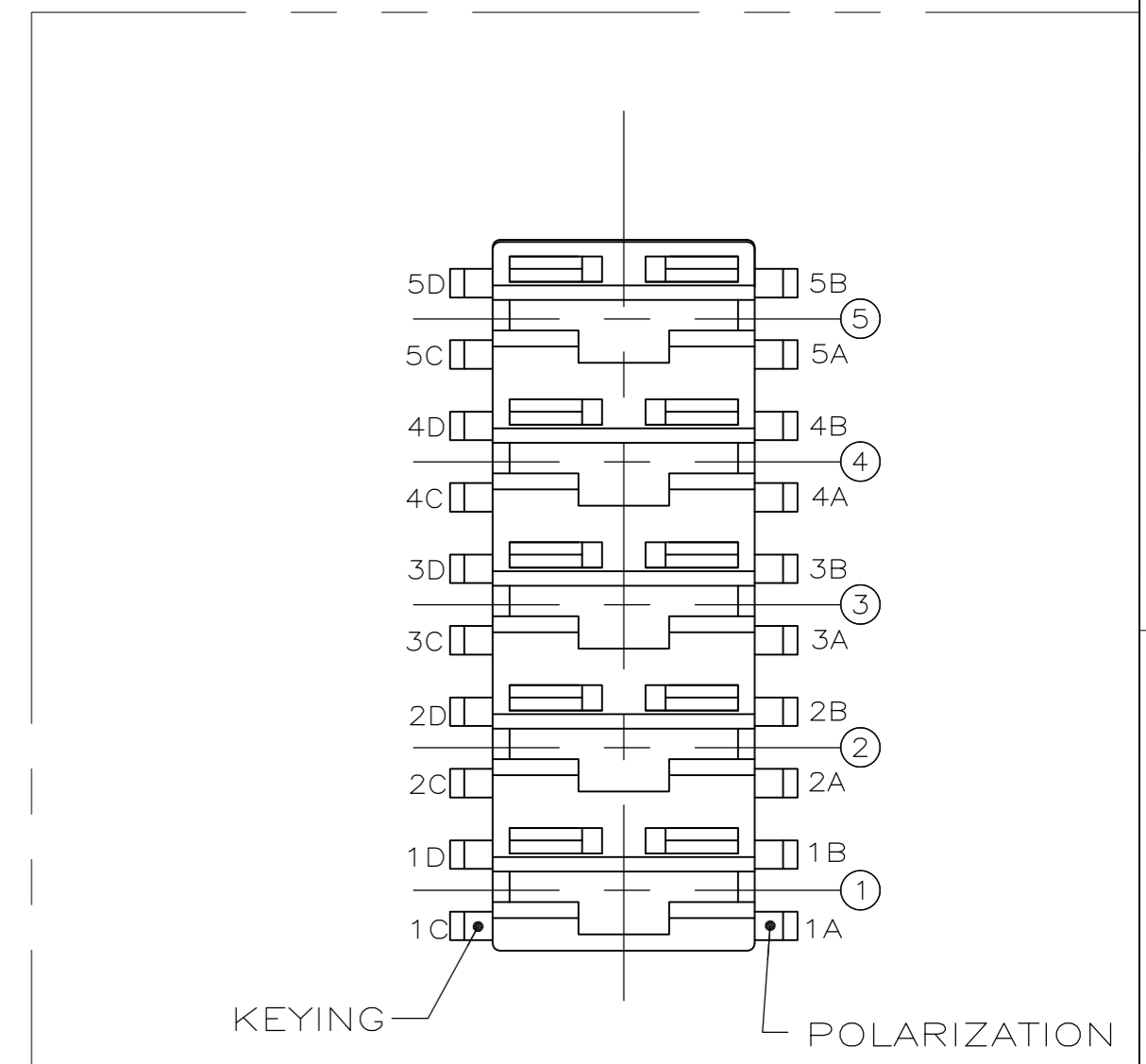
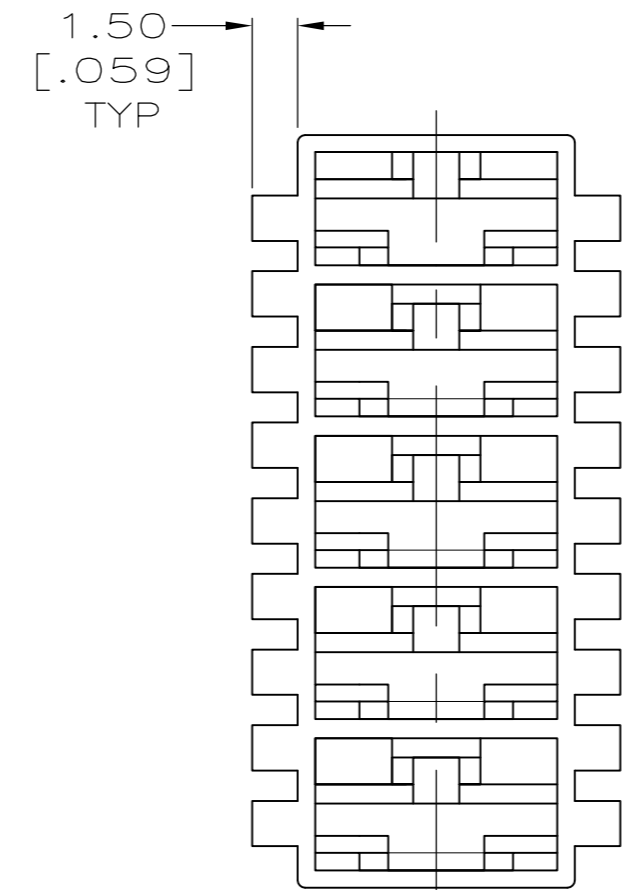
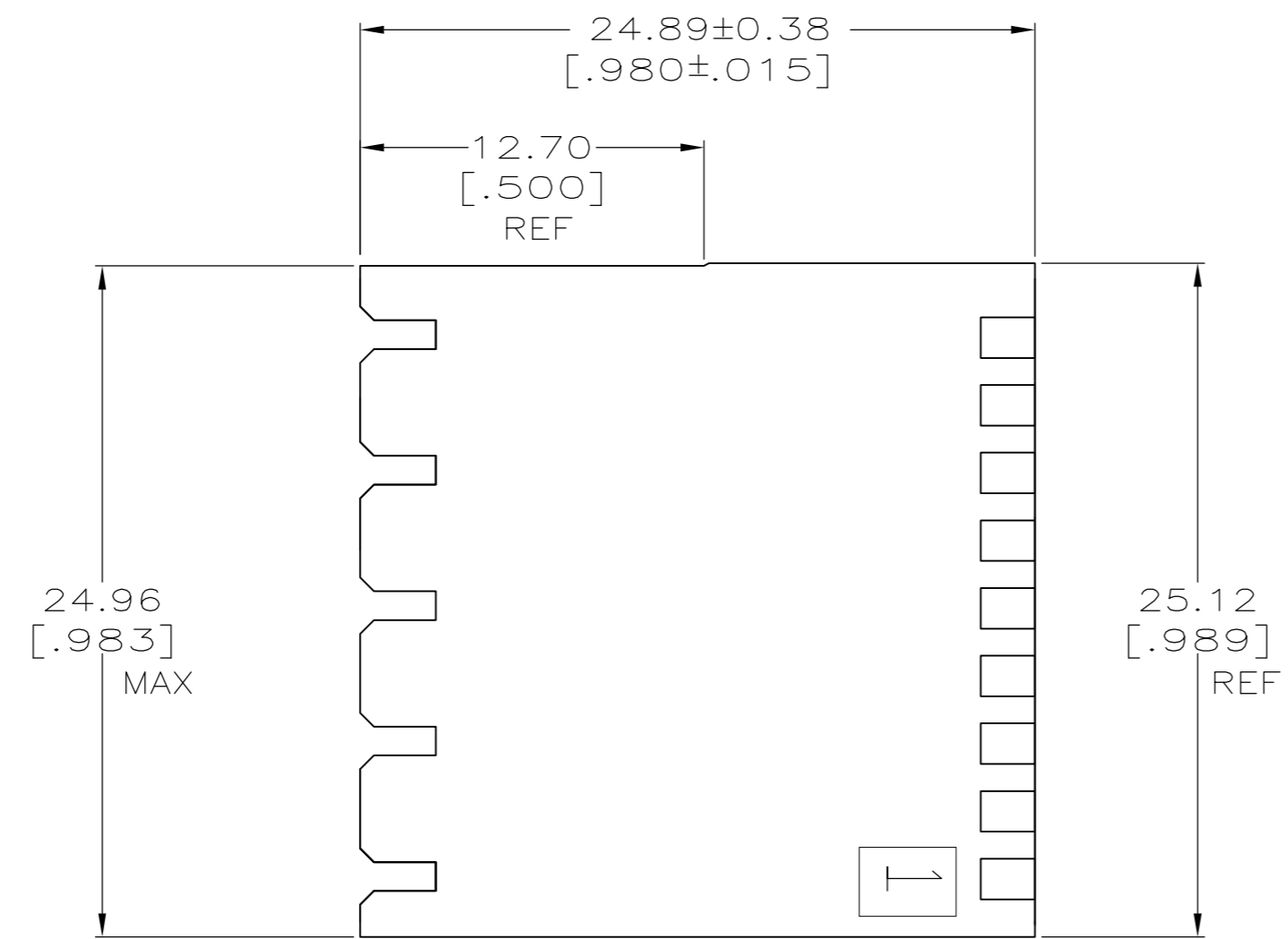
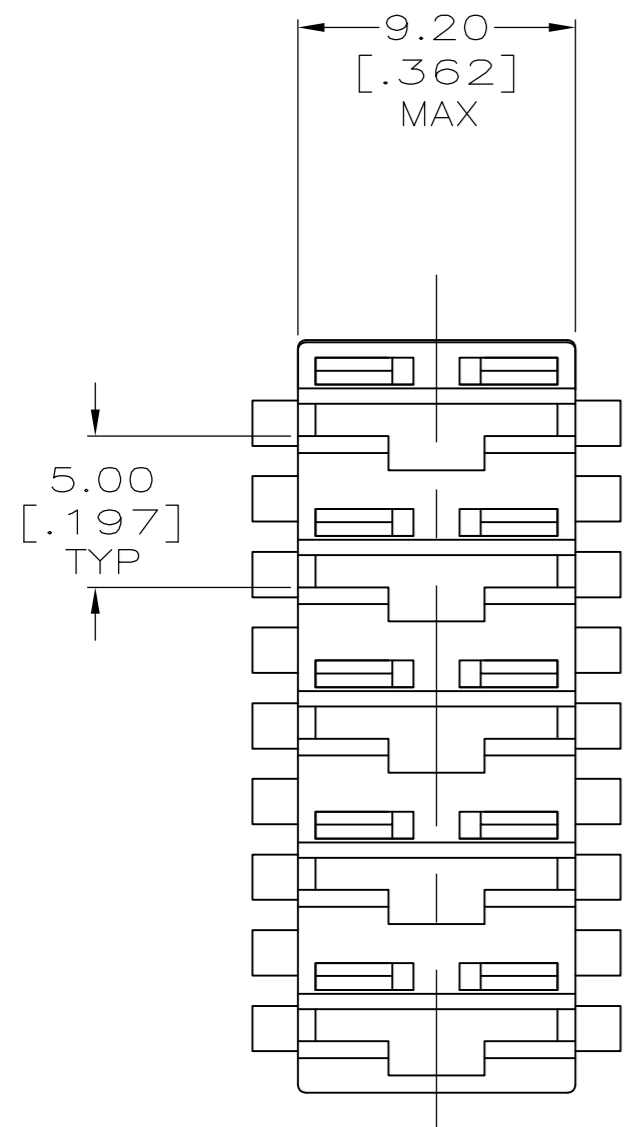
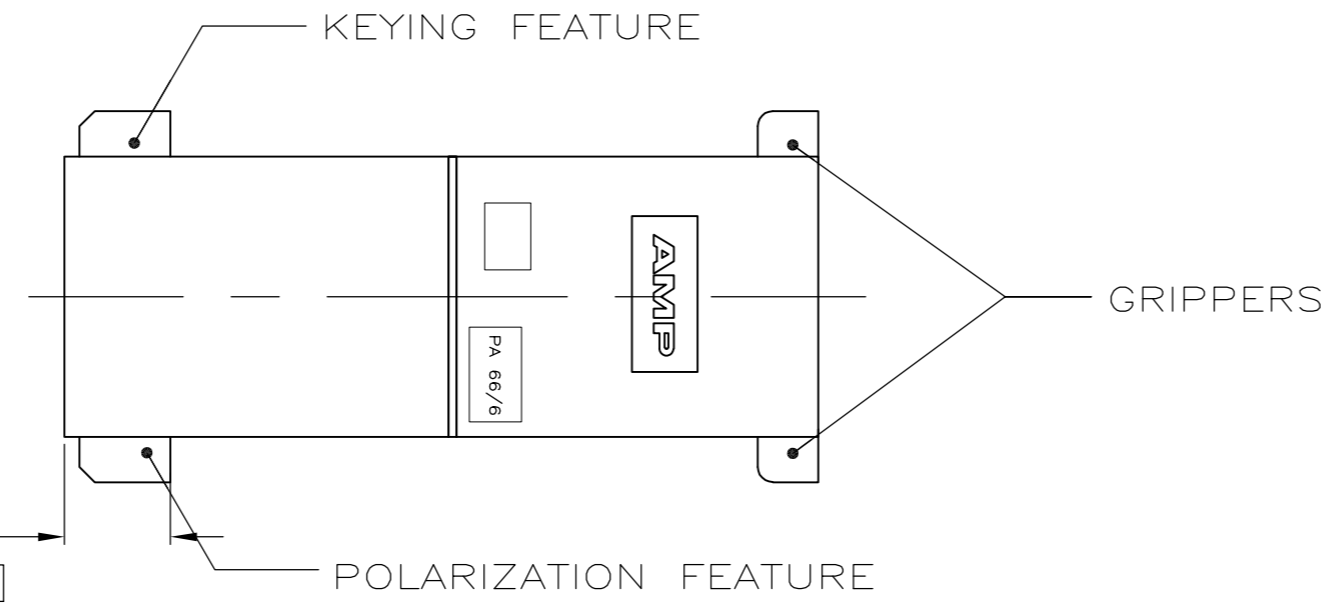


THIS DRAWING IS UNPUBLISHED. RELEASED FOR PUBLICATION
 © COPYRIGHT BY TYCO ELECTRONICS CORPORATION. ALL RIGHTS RESERVED.

LOC	DIST	REVISIONS			
P	LTR	DESCRIPTION	DATE	DWN	APVD
AF	50	G4	REVISED PER ECR-10-101468	11JUN10	JR RL



KEYING & POLARIZATION
 CODING AND COMBINATIONS
 SPECIAL FRONT VIEW

- 1 ACCEPTS RECEPTACLE CONTACTS 1217378(#18-#22 AWG SINGLE WIRE), 1217094(#18-#14 AWG SINGLE WIRE) AND 1217095 (TWO #18'S OR TWO #16'S OR A #16 + #18 COMBINATION).
- 2 FRONT AND BACK VIEWS SHOW ONLY THE GRIPPERS. FOR KEYING AND POLARIZATION FEATURES, SEE SPECIAL FRONT VIEW.

- ③ PRELIMINARY - NOT FOR PRODUCTION
- ④ PREPRODUCTION - FASR REQUIRED

05-B	COLOR	POLARIZATION FEATURES	KEYING FEATURE	PART NO.
05-B	BLUE	2B	2D	③ 521207-5
---	NATURAL	3A,3B,4B	2D, 3C	521207-4
---	BLUE	NONE	1C, 5D	521207-3
---	BLUE	2B	2D, 5D	③ 521207-2
---	BLUE	NONE	NONE	521207-1

THIS DRAWING IS A CONTROLLED DOCUMENT.		DWN	JR RUTH	10/20/98	Tyco Electronics Corporation Harrisburg, Pa 17105-3608
DIMENSIONS: mm		CHK	MS FEHER	10/20/98	
TOLERANCES UNLESS OTHERWISE SPECIFIED:		APVD	E HOWARD	10/20/98	
0 PLC ± - 1 PLC ± - 2 PLC ± 0.25 [.010] 3 PLC ± - 4 PLC ± - ANGLES ± -		NAME		HOUSING, RECEPT, POSITIVE-LOCK, MKIII, 6.35 [.250] SERIES, 5 POSITION	
MATERIAL	6/66 NYLON	FINISH	SEE TABLE-COLOR	WEIGHT	-
CUSTOMER DRAWING		SCALE	4:1	SHEET	1 OF 1