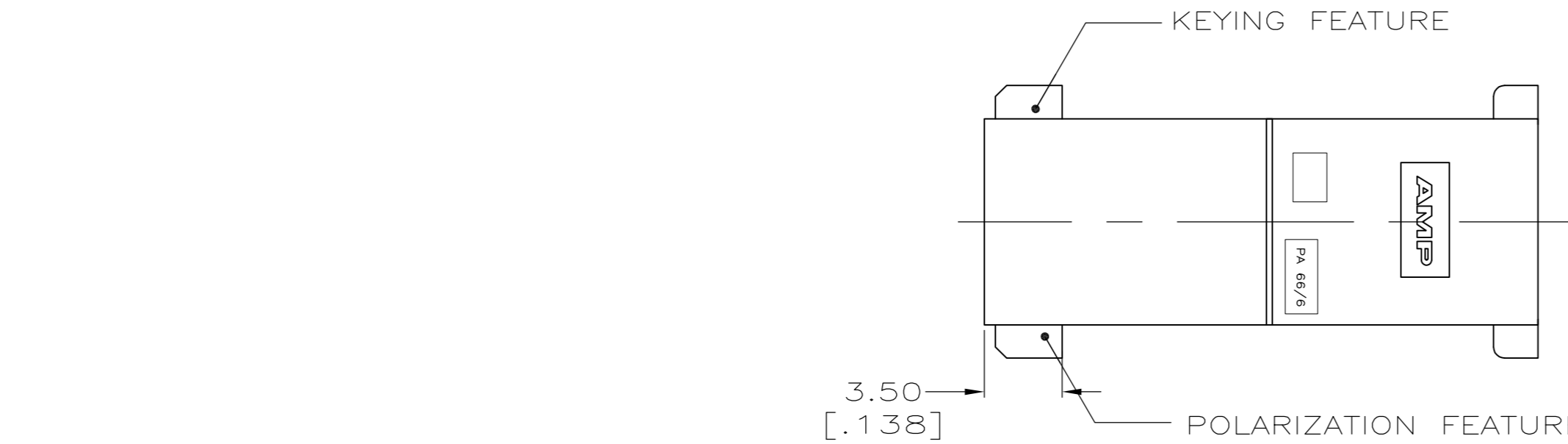
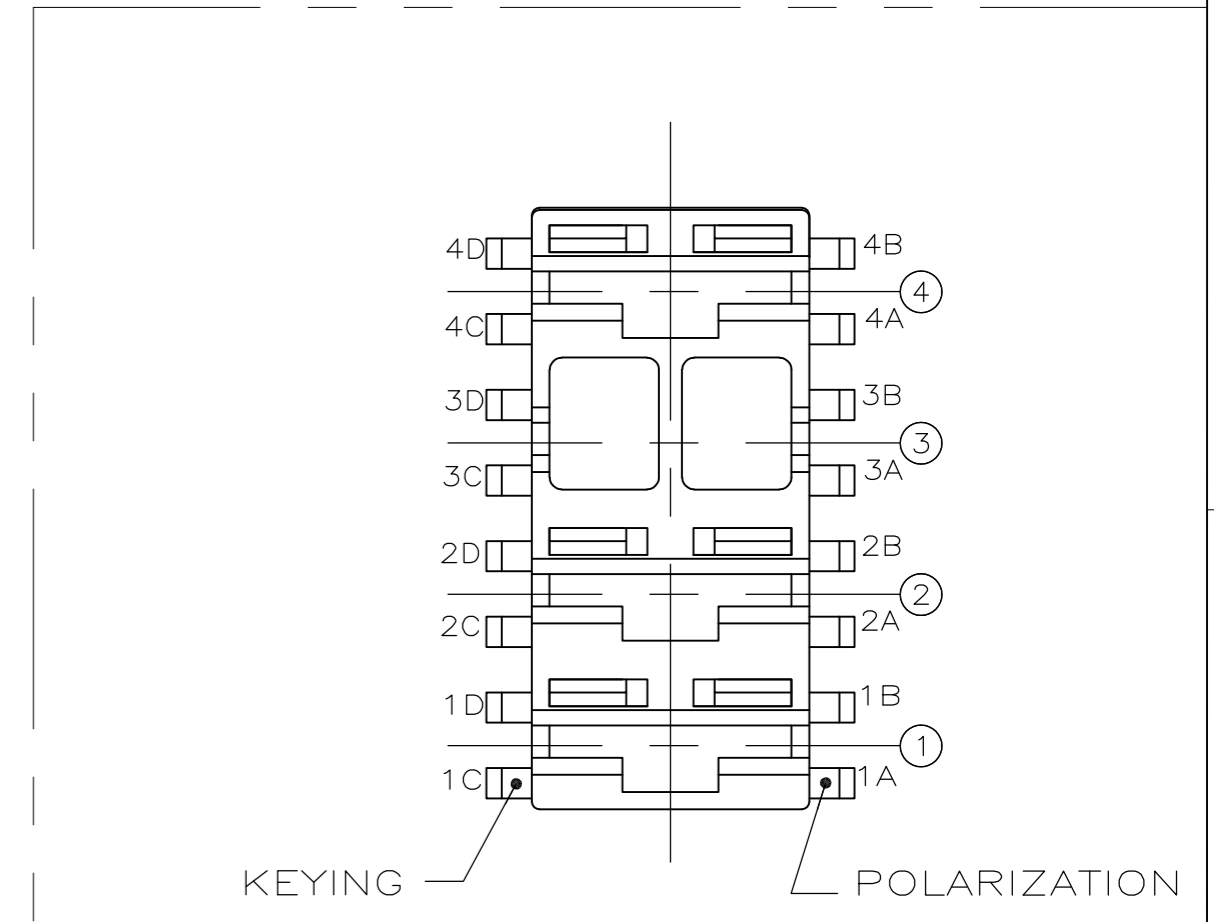
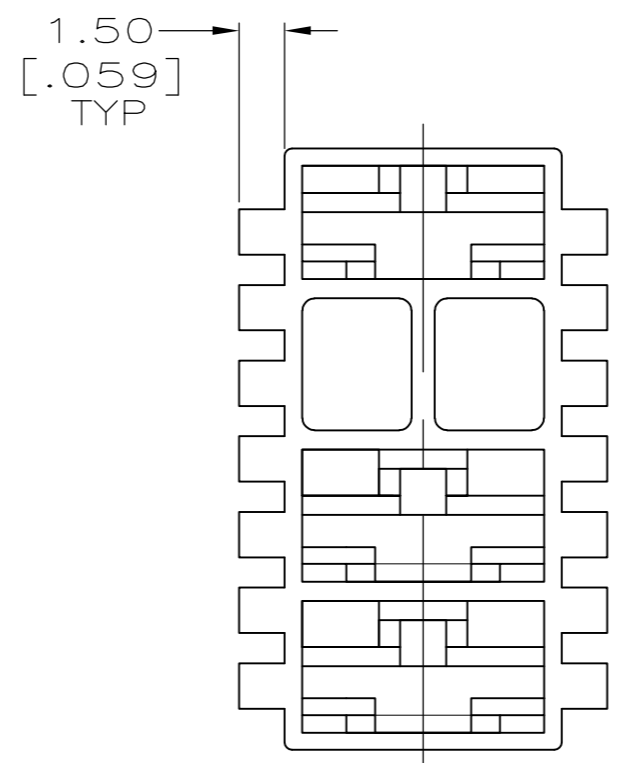
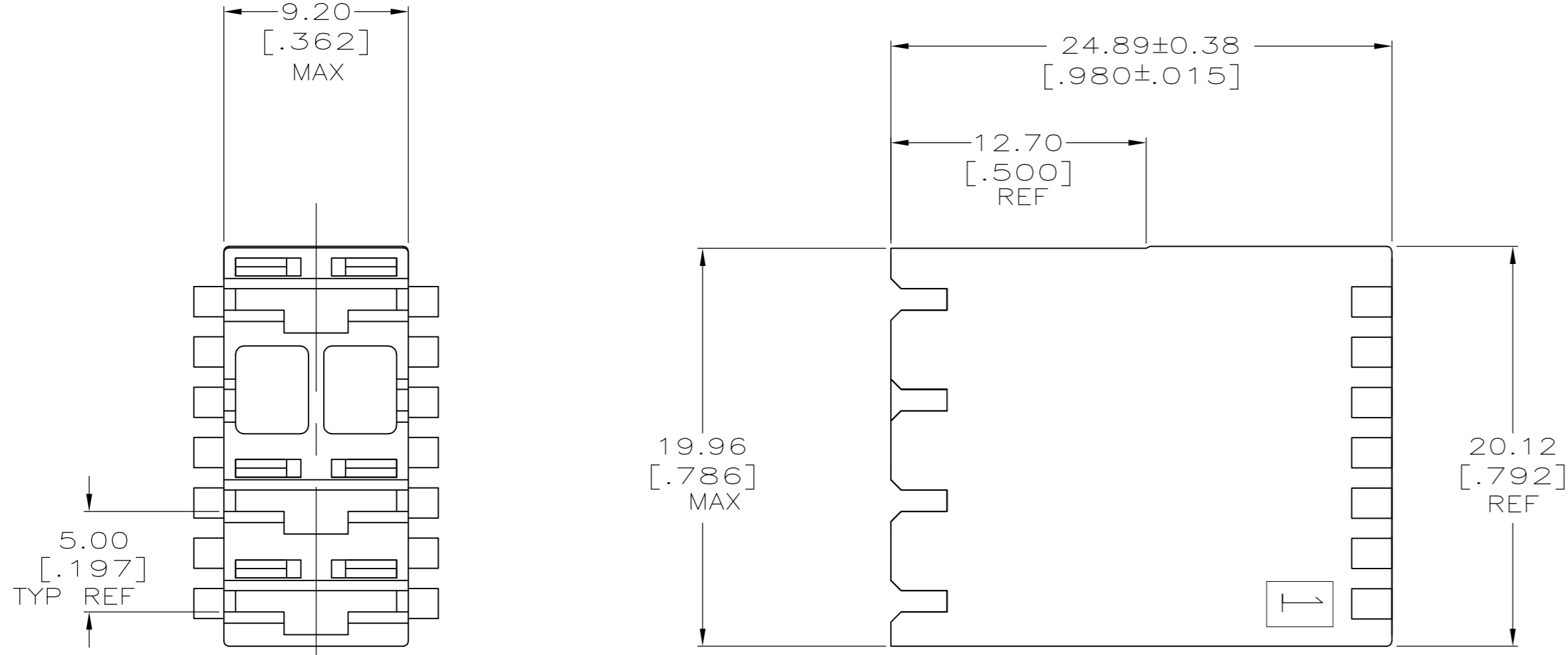


THIS DRAWING IS UNPUBLISHED. RELEASED FOR PUBLICATION
 © COPYRIGHT BY TYCO ELECTRONICS CORPORATION. ALL RIGHTS RESERVED.

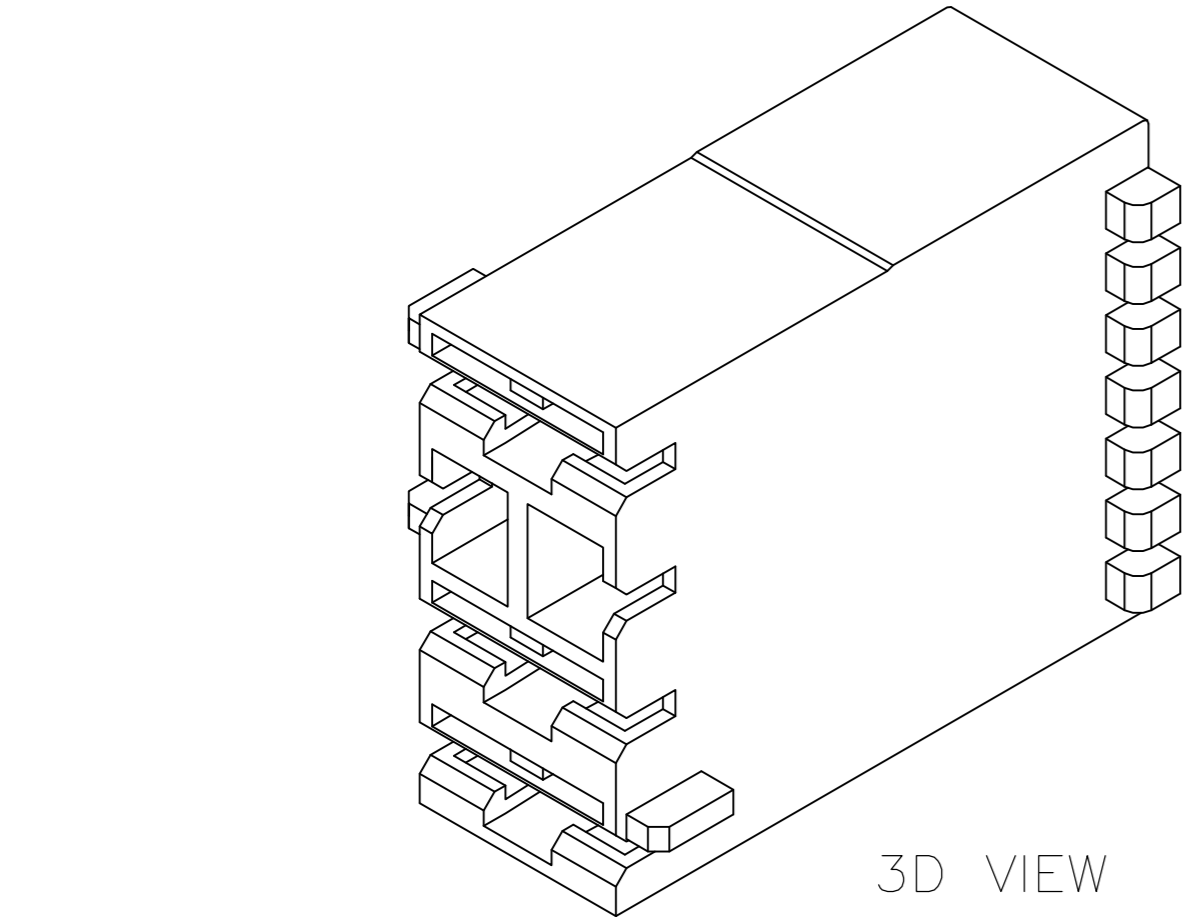
LOC		DIST		REVISIONS			
P	LTR	DESCRIPTION	DATE	DWN	APVD		
AF	50	H3	REVISED PER ECR-10-004278	04MAR10	JR	RL	



- ACCEPTS RECEPTACLE CONTACTS 1217378(#18-#22 AWG SINGLE WIRE), 1217094(#18-#14 AWG SINGLE WIRE) AND 1217095 (TWO #18'S OR TWO #16'S OR A #16 + #18 COMBINATION).
 - FRONT AND BACK VIEWS SHOW ONLY THE GRIPPERS. FOR KEYING AND POLARIZATION FEATURES, SEE SPECIAL FRONT VIEW.
 - TAB SHOULDER SLOTS OPTIONAL ON BOTH SIDES OF DUMMY CIRCUIT.
- ⚠ PRELIMINARY - NOT FOR PRODUCTION



KEYING & POLARIZATION CODING AND COMBINATIONS
 SPECIAL FRONT VIEW



3D VIEW

OBSOLETE	---	BLUE	NONE	NONE	⚠ 521295-3-
	04-A	NATURAL	3C, 4D	1B	⚠ 521295-2
	---	BLUE	NONE	NONE	521295-1
	RAST 5 DESIGNATION	COLOR	KEYING FEATURE	POLARIZATION FEATURES	PART NO.
THIS DRAWING IS A CONTROLLED DOCUMENT.		DWN JR RUTH 14APR00	14APR00	Tyco Electronics Corporation Harrisburg, Pa 17105-3608	
DIMENSIONS: mm		TOLERANCES UNLESS OTHERWISE SPECIFIED: 0 PLC ± - 1 PLC ± - 2 PLC ± 0.25 [.010] 3 PLC ± - 4 PLC ± - ANGLES ± -		NAME D BRATINA 14APR00	
MATERIAL 66/6 NYLON		FINISH SEE TABLE		HOUSING, RECEPT, POSITIVE-LOCK, MKIII, 6.35 [.250] SERIES, 4 POSITION / 3 CIRCUIT	
CUSTOMER DRAWING		WEIGHT -		SIZE A2	CAGE CODE 00779
		SCALE 4:1		DRAWING NO C=521295	
		SHEET 1 OF 1		REV H3	