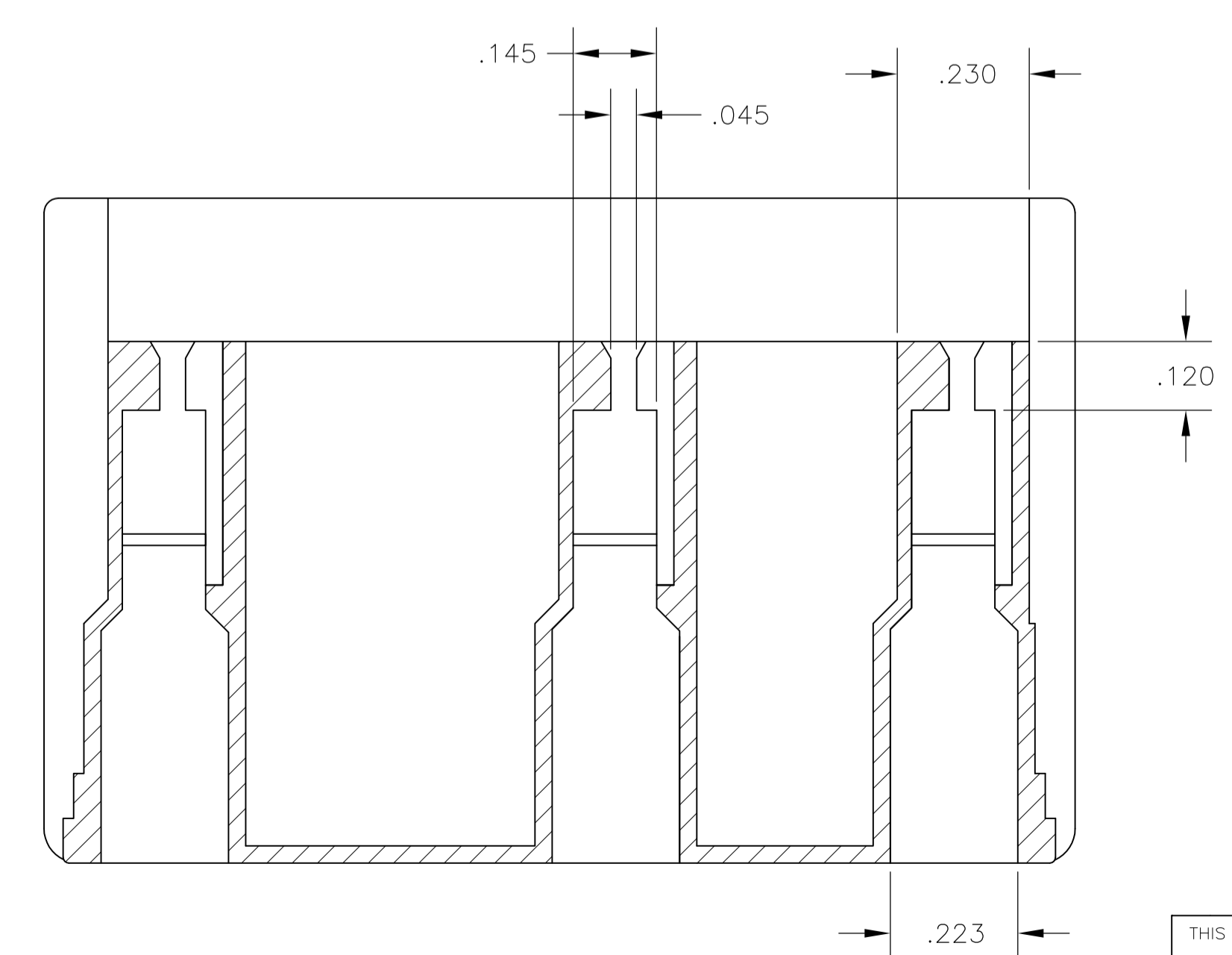
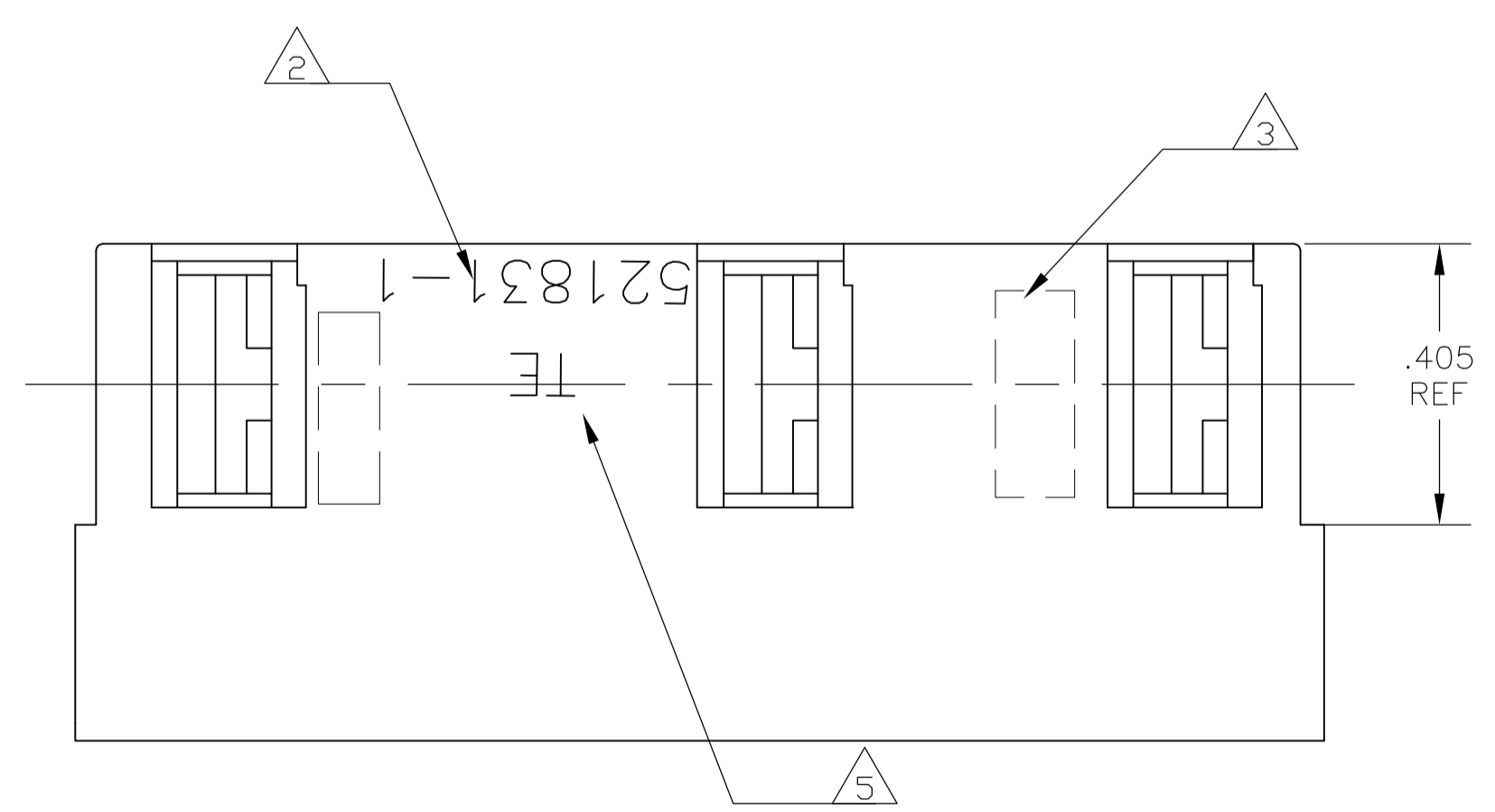
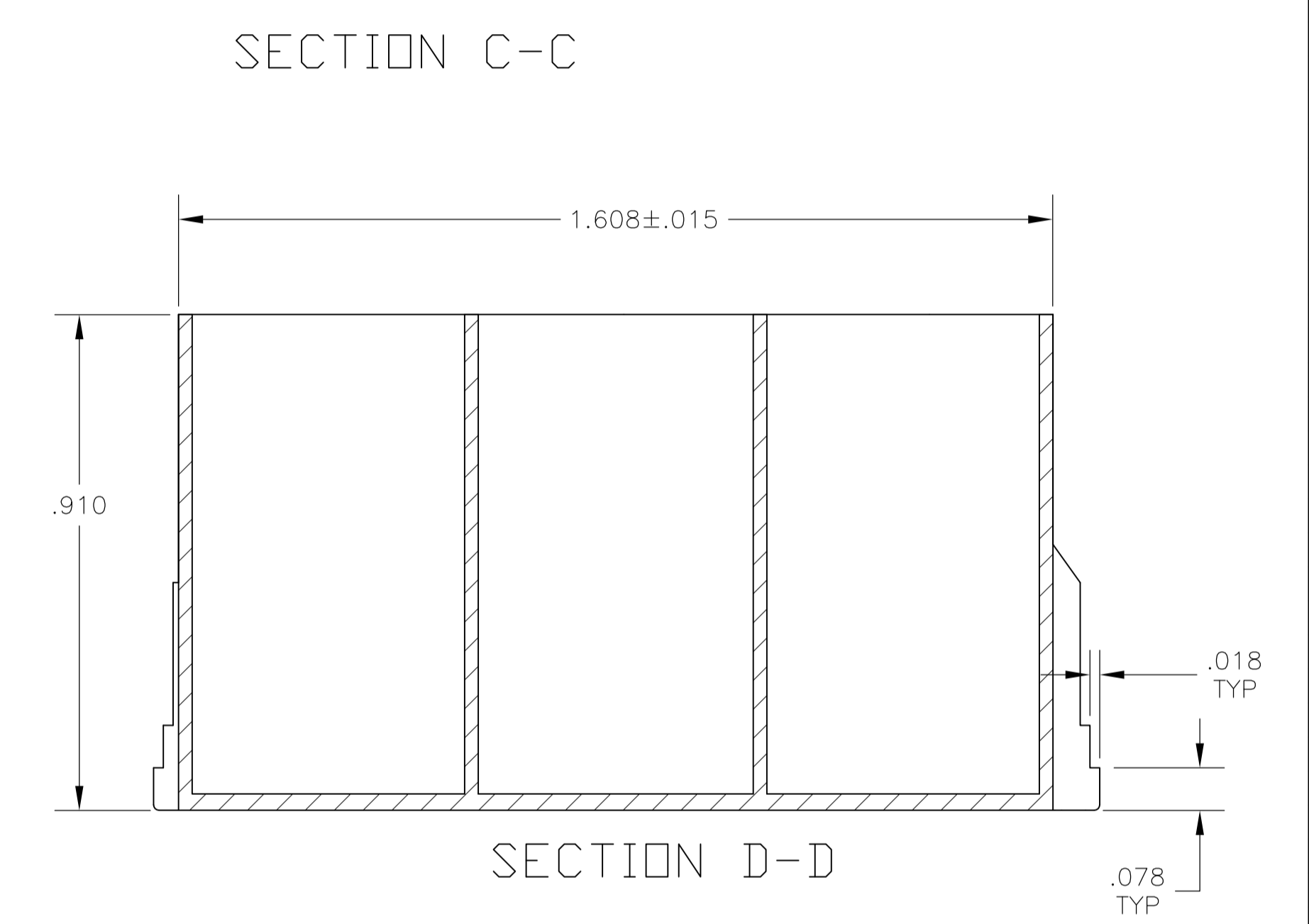
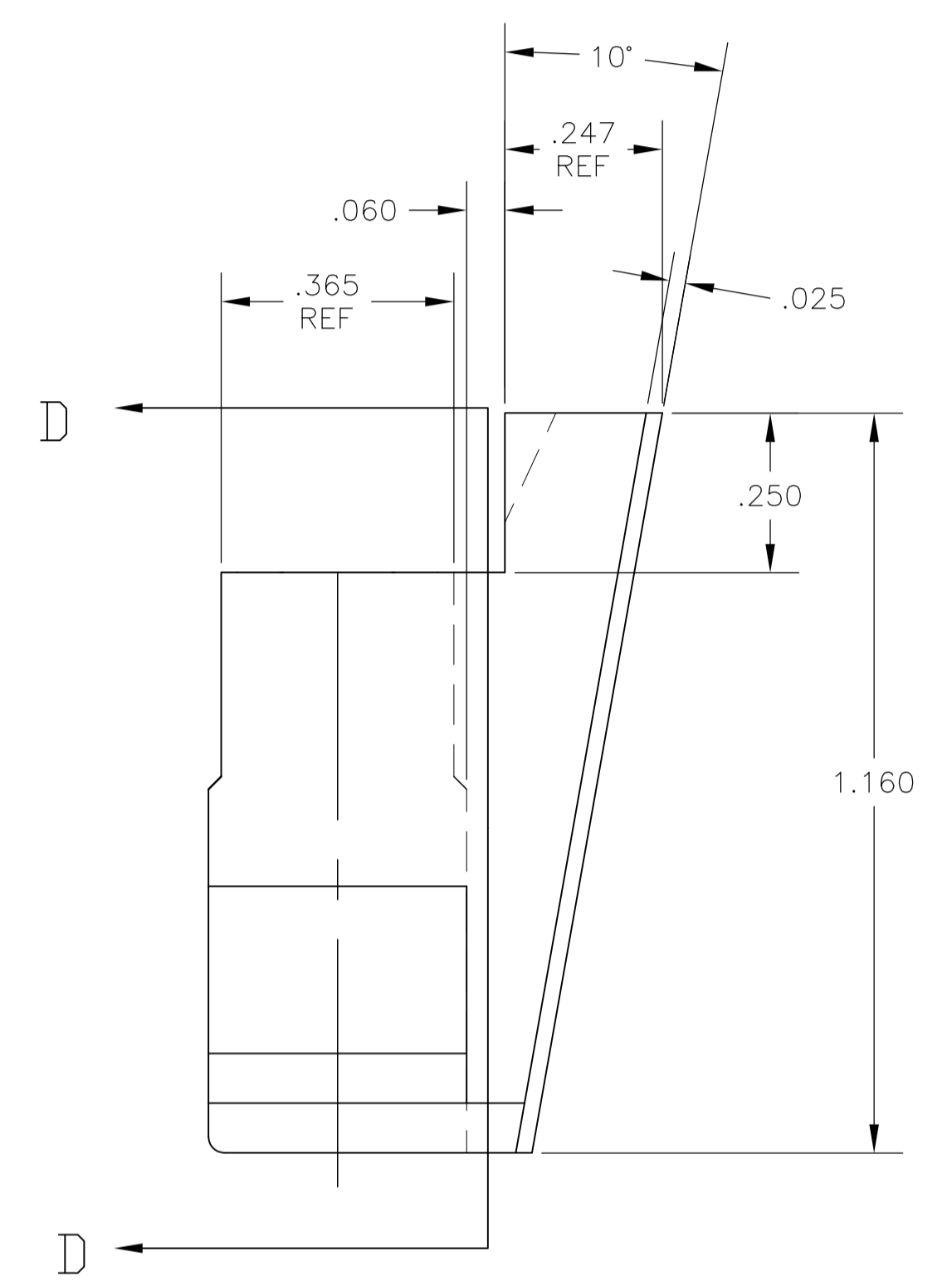
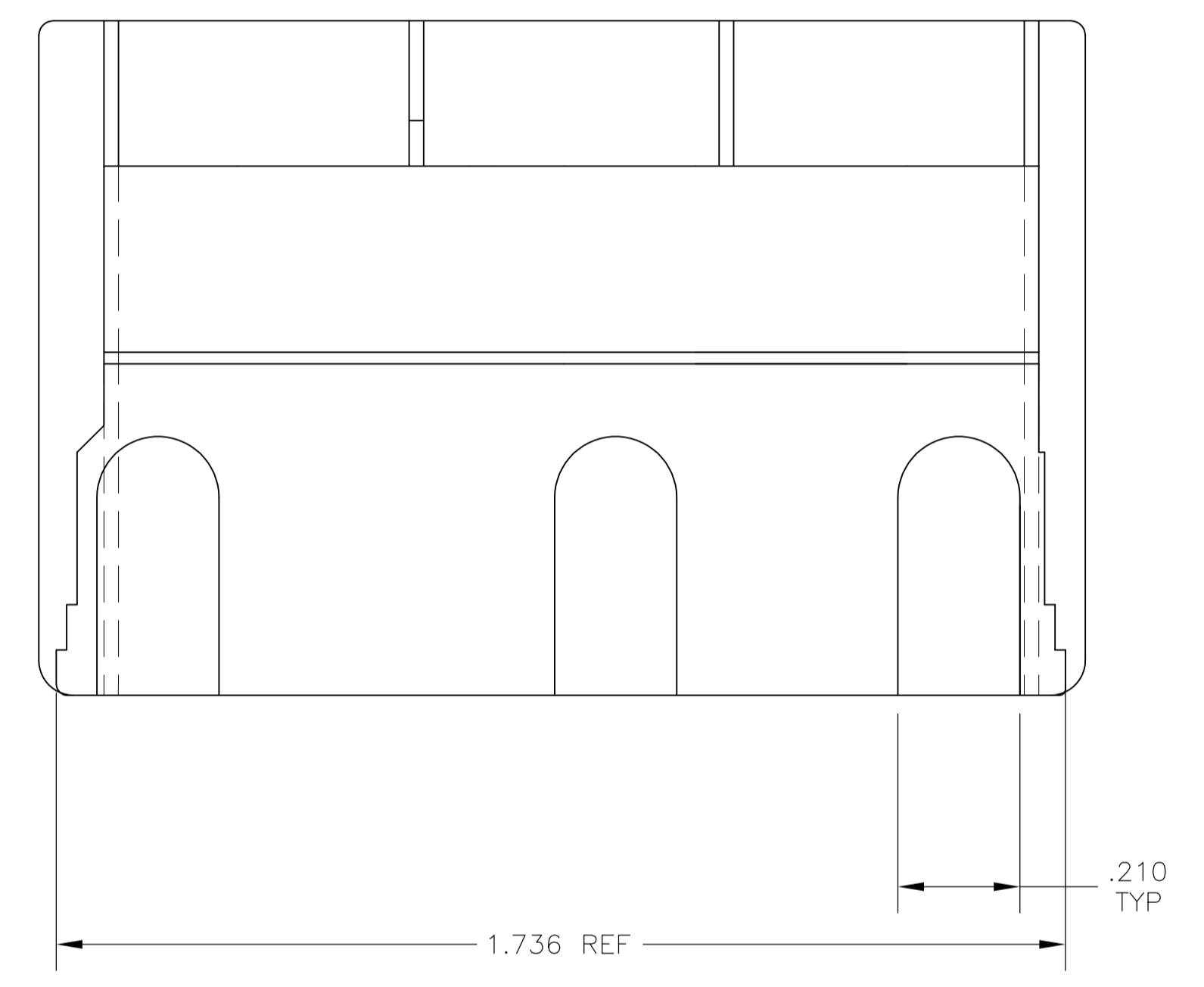
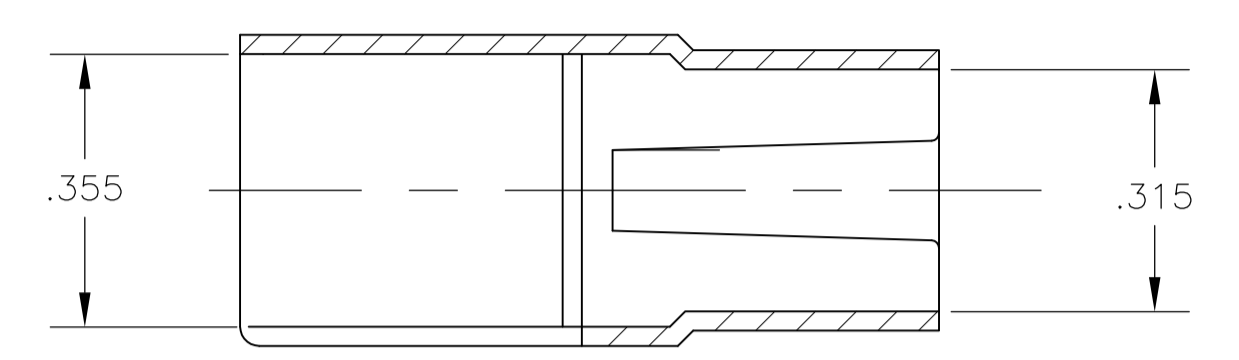
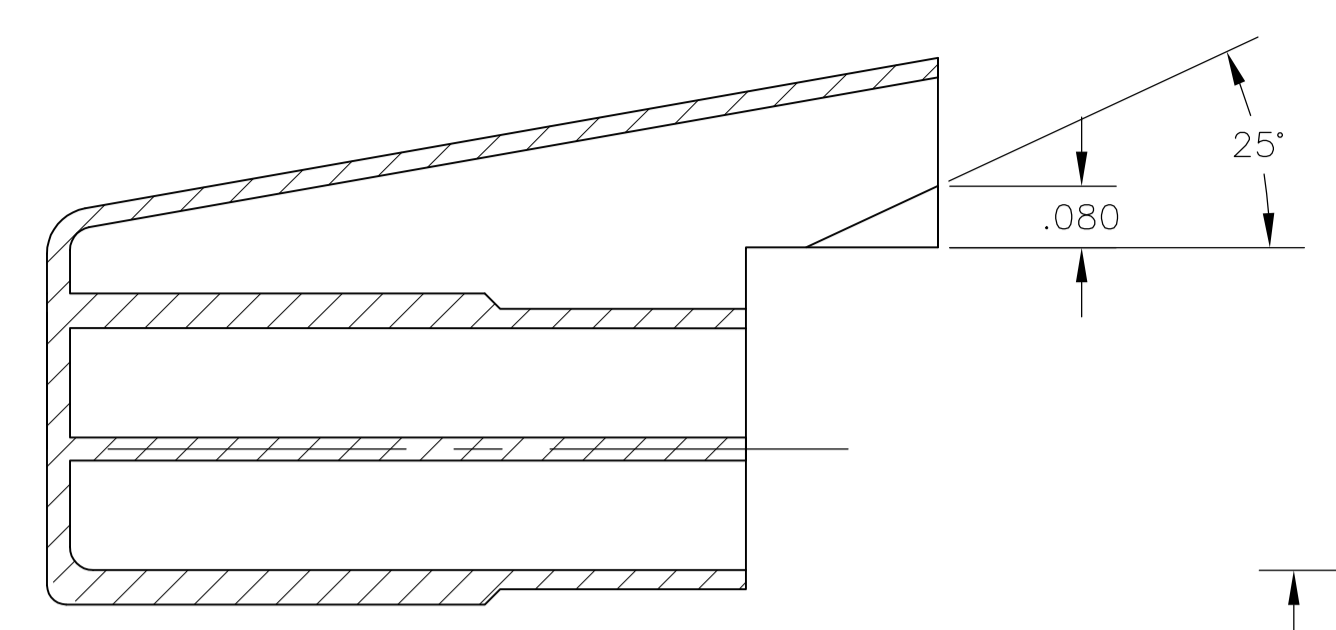
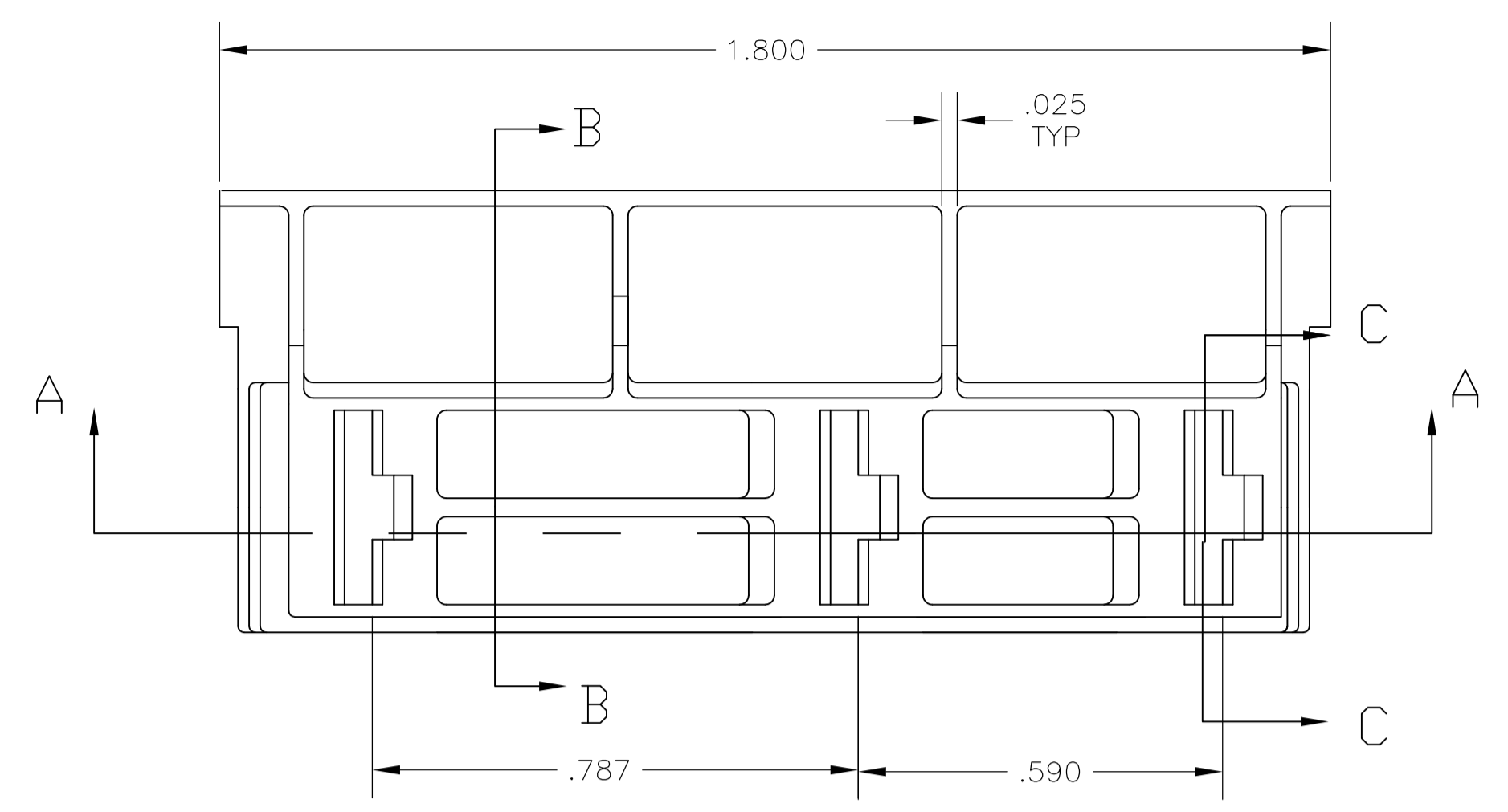


LOC		DIST		REVISONS			
REV	PER	DATE	DESCRIPTION	DATE	BY	APPD	
C1	REV PER ECR	10-006993		30MAR10	JR	PD	



- 1 ALL 3 INTERNAL CAVITY ARE IDENTICAL.
- 2 TE LOGO, SIZE AND LOCATION APPROX AS SHOWN
- 3 DFE SYMBOL >PA66/6<, LOCATED APPROX AS SHOWN.
- 4 PART TO BE USED WITH TERMINAL 1742291-1
- 5 TE P/N, LOCATED APPROX AS SHOWN

SECTION A-A

521831-1  
PART NO

THIS DRAWING IS A CONTROLLED DOCUMENT.		DIN jr_ruth 28JUN05		Tyco Electronics Tyco Electronics Corporation Harrisburg, PA 17105-3608	
DIMENSIONS: INCHES		TOLERANCES UNLESS OTHERWISE SPECIFIED:		APVD K RANDOLPH 28JUN05 NAME HOUSING, RECEPTACLE, FASTIN-FASTON, .250 SERIES, 3 POSITION	
0. PLC ± -		1. PLC ± -		APPLICATION SPEC	
2. PLC ± -		3. PLC ± .005		SIZE CAGE CODE DRAWING NO	
4. PLC ± -		ANGLES ± 1°		RESTRICTED TO	
MATERIAL 66/6 NYLON, VD		FINISH COLOR - WHITE		WEIGHT	
				A1 00779 C=521831	
				CUSTOMER DRAWING SCALE 1:1 SHEET 1 OF 1 REV C1	