

4

3

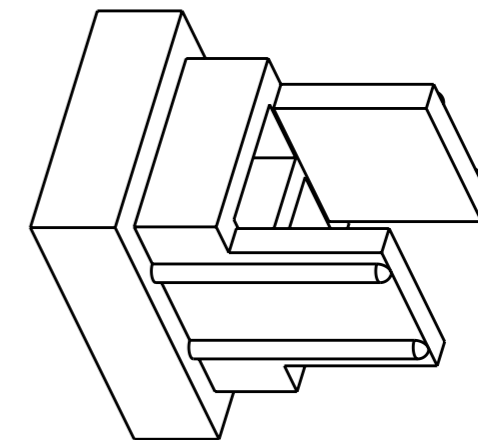
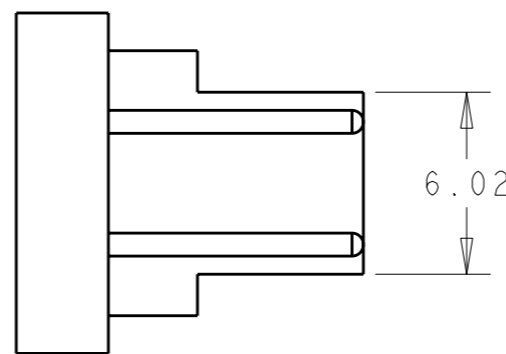
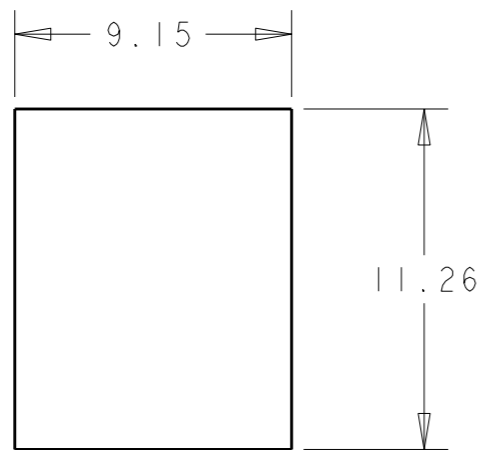
2

1

THIS DRAWING IS UNPUBLISHED. RELEASED FOR PUBLICATION

© COPYRIGHT - BY TYCO ELECTRONICS CORPORATION. ALL INTERNATIONAL RIGHTS RESERVED.

LOC	DIST	REVISIONS					
		P	LTR	DESCRIPTION	DATE	DWN	APVD
HG	-		B	ECR-05-004623	08JUN2005	EJH	SB
			BI	REVISE PER ECR-09-027398	22DEC2009	LL	CT



BLUE	5502871-4
BLACK	5502871-1
COLOR	PART NO.

<small>THIS DRAWING IS A CONTROLLED DOCUMENT FOR TYCO ELECTRONICS CORPORATION IT IS SUBJECT TO CHANGE AND THE CONTROLLING ENGINEERING ORGANIZATION SHOULD BE CONTACTED FOR THE LATEST REVISION.</small>		DWN E. HOPKINS 27JAN2005 CHK D. ERDMAN 27JAN2005 APVD - PRODUCT SPEC - APPLICATION SPEC - WEIGHT -		Tyco Electronics Corporation Shanghai, China	
DIMENSIONS: mm		TOLERANCES UNLESS OTHERWISE SPECIFIED: 0 PLC ±- 1 PLC ±- 2 PLC ±0.25 3 PLC ±- 4 PLC ±- ANGLES ±-		NAME PROTECTIVE COVER, RECEPTACLE, SC	
MATERIAL THERMOPLASTIC ELASTOMER		FINISH -		SIZE A3 CAGE CODE C-5502871 DRAWING NO RESTRICTED TO -	
CUSTOMER DRAWING				SCALE 4:1 SHEET 1 OF 1 REV BI	