

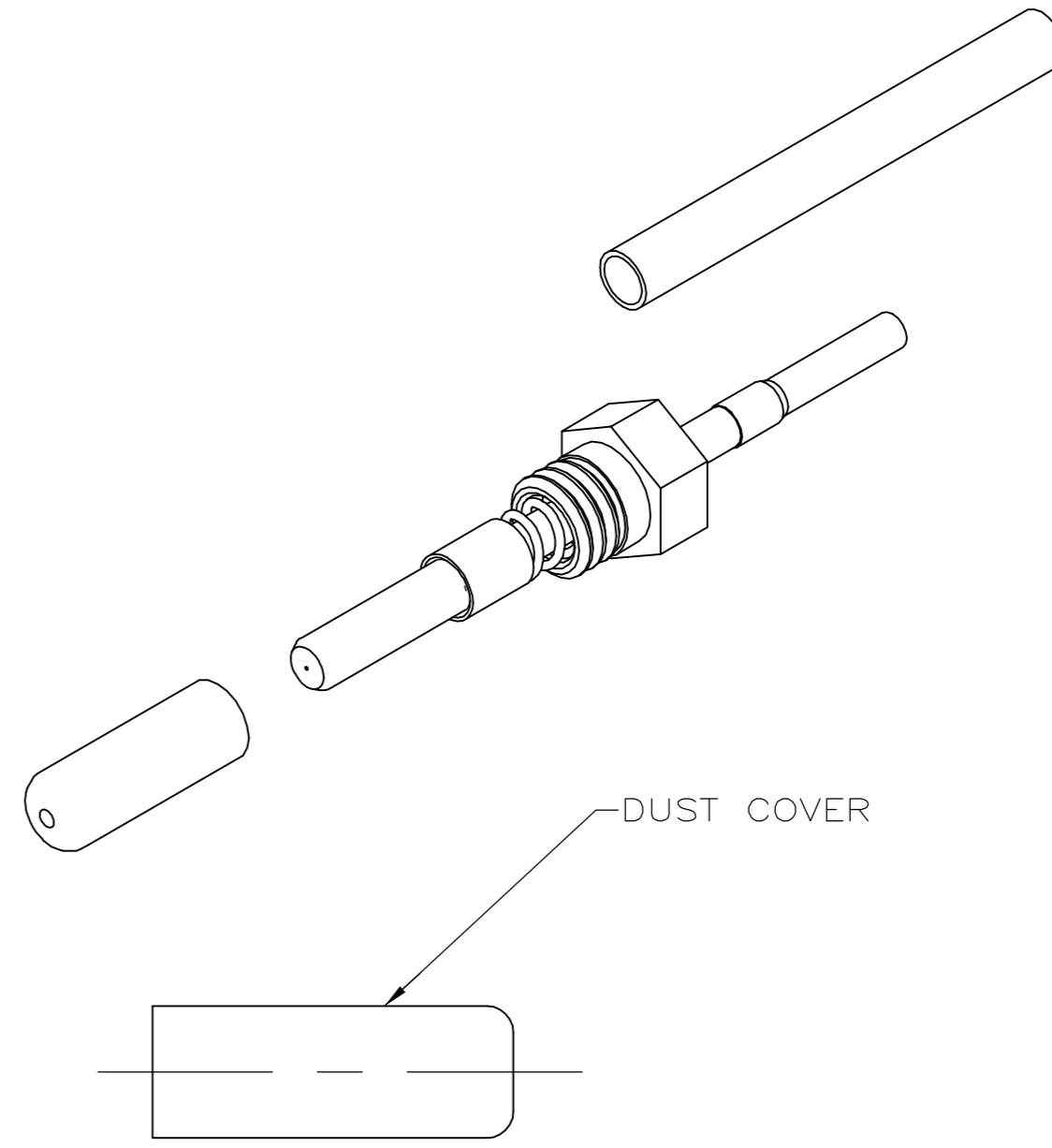
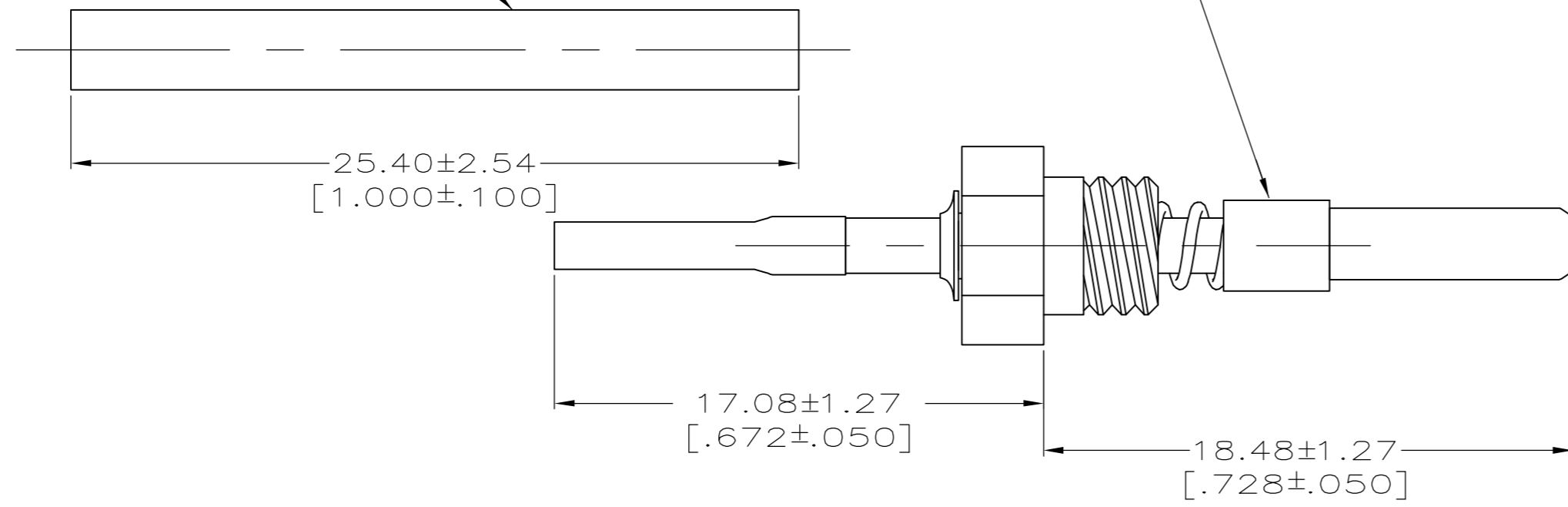
THIS DRAWING IS UNPUBLISHED. RELEASED FOR PUBLICATION
 © COPYRIGHT BY TYCO ELECTRONICS CORPORATION. ALL RIGHTS RESERVED.

LOC		DIST		REVISIONS					
CE		16		P	LTR	DESCRIPTION	DATE	DWN	APVD
				A		NEW PRODUCT RELEASE	06JAN06	KG	FA

HEAT SHRINK TUBING

CONNECTOR ASSY

DUST COVER



- 1. DIMENSIONS IN [] ARE IN INCHES
- 2 MATERIAL: CAPILLARY; ZIRCONIA BODY; STAINLESS STEEL SPRING; MUSIC WIRE NUT; 1/2 HARD BRASS, PLATING; ELECTROLESS NICKEL.
- 3 BULK PACKAGED 50 PER PACKAGE.

3	RED	125um	5503412-4
	BLUE	125um	5503412-3
3	RED	125um	5503412-2
3	BLUE	125um	5503412-1
	HS TUBING COLOR	FERRULE HOLE SIZE	PART NUMBER

THIS DRAWING IS A CONTROLLED DOCUMENT.		DWN	05JAN2006	Tyco Electronics Corporation	
		CHK	06JAN2006	Harrisburg, PA 17105-3608	
		APVD	06JAN2006	NAME	
		F. ABENDSCHEIN		CONNECTOR KIT, MM, 900um	
		F. ABENDSCHEIN		BUFFERED FIBER	
		PRODUCT SPEC		-	
		APPLICATION SPEC		-	
		WEIGHT		-	
		CUSTOMER DRAWING		SCALE	NTS
DIMENSIONS:		TOLERANCES UNLESS OTHERWISE SPECIFIED:		SIZE	A2
mm		0 PLC ± -		CAGE CODE	00779
		1 PLC ± -		DRAWING NO	C=5503412
		2 PLC ± -		RESTRICTED TO	-
		3 PLC ± -			
		4 PLC ± -			
		ANGLES ± -			
MATERIAL		FINISH		SHEET	
-		-		1 of 1	
				REV	
				A	

5503412