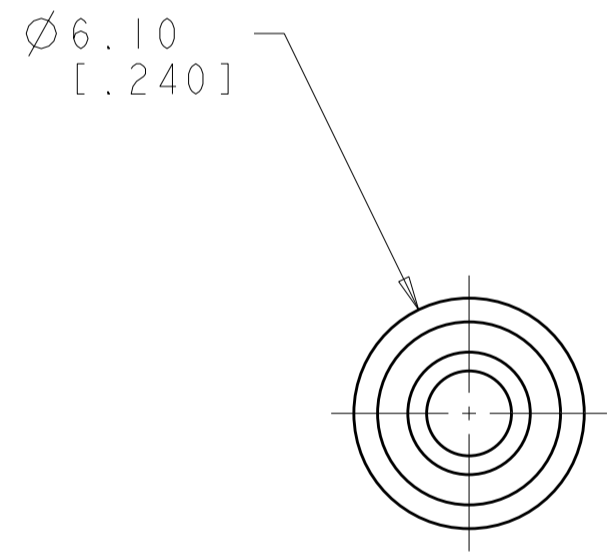
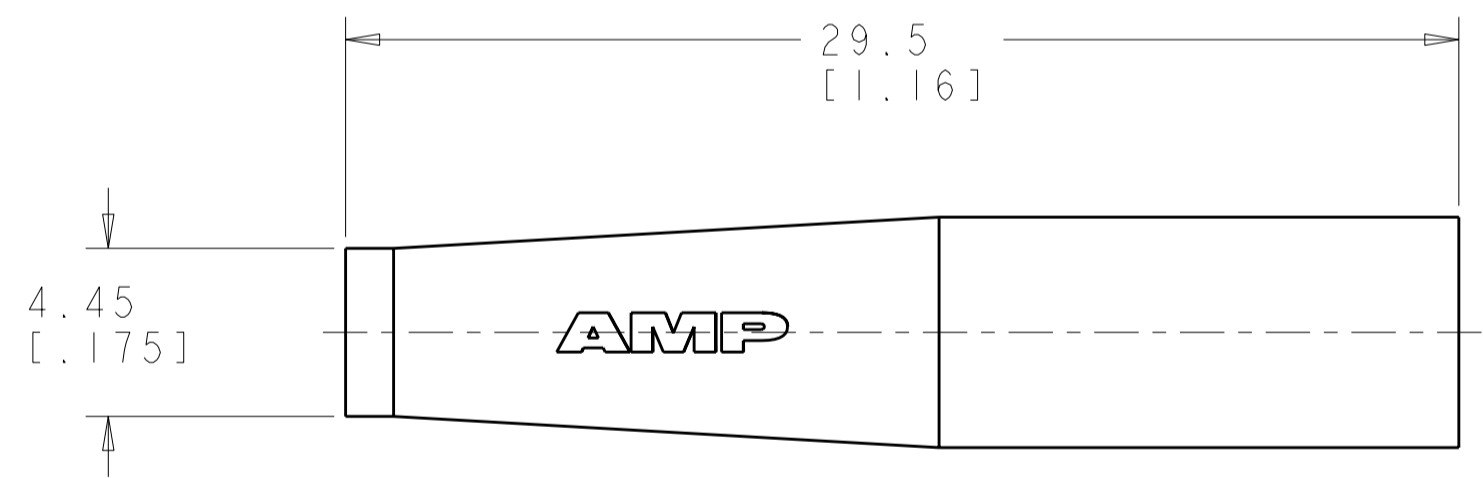
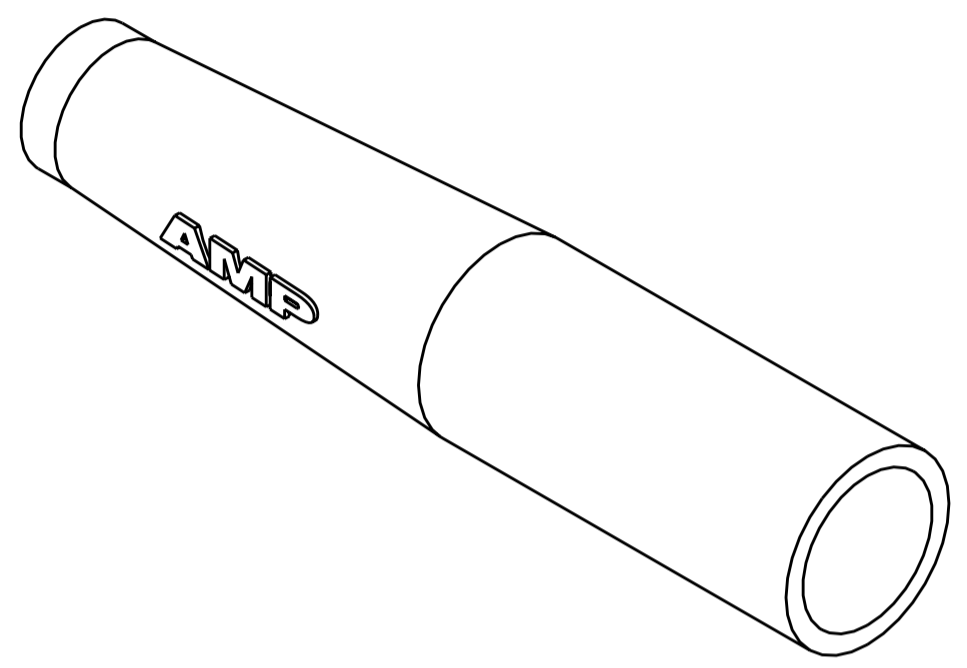


THIS DRAWING IS UNPUBLISHED. RELEASED FOR PUBLICATION 20
 © COPYRIGHT 19 BY TYCO ELECTRONICS CORPORATION. ALL RIGHTS RESERVED.

LOC	DIST	REVISIONS					
CE	00	P	LTR	DESCRIPTION	DATE	DWN	APVD
		C		ECR-05-009395	22AUG2005	EJH	SB
		D		REVISE PER ECR-06-029880	09JAN2007	BB	SM

1 MATERIAL: TPE, SEE TABLE FOR COLOR, UL 94 V-0 RATED AT QUALIFYING THICKNESS.
 2 NO AMP LOGO



CABLE DIA	COLOR	PART NUMBER	
2.4/2.5	GREEN	3-5503971-7	
2.4/2.5	GREEN	3-5503971-6	
2	3.0	AQUA	3-5503971-5
2	3.0	AQUA	3-5503971-4
2	2.4/2.5	AQUA	3-5503971-3
2	2.4/2.5	AQUA	3-5503971-2
2	2.0	AQUA	3-5503971-1
2	2.0	AQUA	3-5503971-0
2	2.0	BEIGE	2-5503971-9
2	2.0	GREEN	2-5503971-8
2	2.0	RED	2-5503971-7
2	2.0	BLACK	2-5503971-5
2	2.0	BLACK	2-5503971-3
2	3.0	YELLOW	2-5503971-2
2	3.0	WHITE	1-5503971-9
2	3.0	GREEN	1-5503971-8
2	3.0	RED	1-5503971-7
2	3.0	BLACK	1-5503971-6
2	3.0	BLUE	1-5503971-5
2	3.0	BEIGE	1-5503971-4
2.4/2.5	RED	1-5503971-3	
2.4/2.5	BLACK	1-5503971-2	
3.0	RED	1-5503971-1	
3.0	BLACK	1-5503971-0	
2.0	YELLOW	5503971-9	
2.4/2.5	YELLOW	5503971-8	
3.0	YELLOW	5503971-7	
2.0	BLUE	5503971-6	
2.0	BEIGE	5503971-5	
2.4/2.5	BLUE	5503971-4	
2.4/2.5	BEIGE	5503971-3	
3.0	BLUE	5503971-2	
3.0	BEIGE	5503971-1	

THIS DRAWING IS A CONTROLLED DOCUMENT FOR TYCO ELECTRONICS CORPORATION IT IS SUBJECT TO CHANGE AND THE CONTROLLING ENGINEERING ORGANIZATION SHOULD BE CONTACTED FOR THE LATEST REVISION.		DWN E. HOPKINS 28JAN2005 CHK D. ERDMAN 28JAN2005 APVD S. BUCHTER 28JAN2005	AMP Tyco Electronics Harrisburg, PA 17105-3608
DIMENSIONS: mm [INCHES]	TOLERANCES UNLESS OTHERWISE SPECIFIED: 0 PLC ± 1 PLC ±0.3 [.01] 2 PLC ±0.15 [.006] 3 PLC ± 4 PLC ± ANGLES ± FINISH -	PRODUCT SPEC - APPLICATION SPEC - WEIGHT -	NAME BOOT, SHORT, AMP SC/FC TYPE SIZE A2 CAGE CODE 00779 DRAWING NO. 5503971 RESTRICTED TO -
MATERIAL 1	CUSTOMER DRAWING		SCALE 5:1 SHEET 1 OF 1 REV D