

4

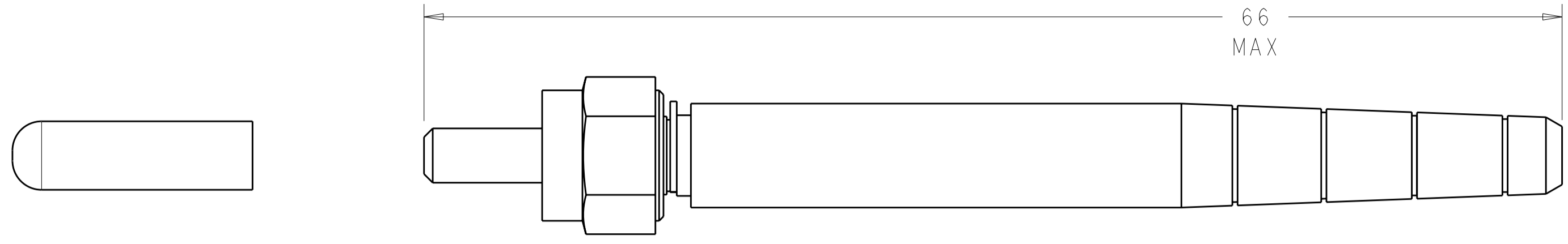
3

2

1

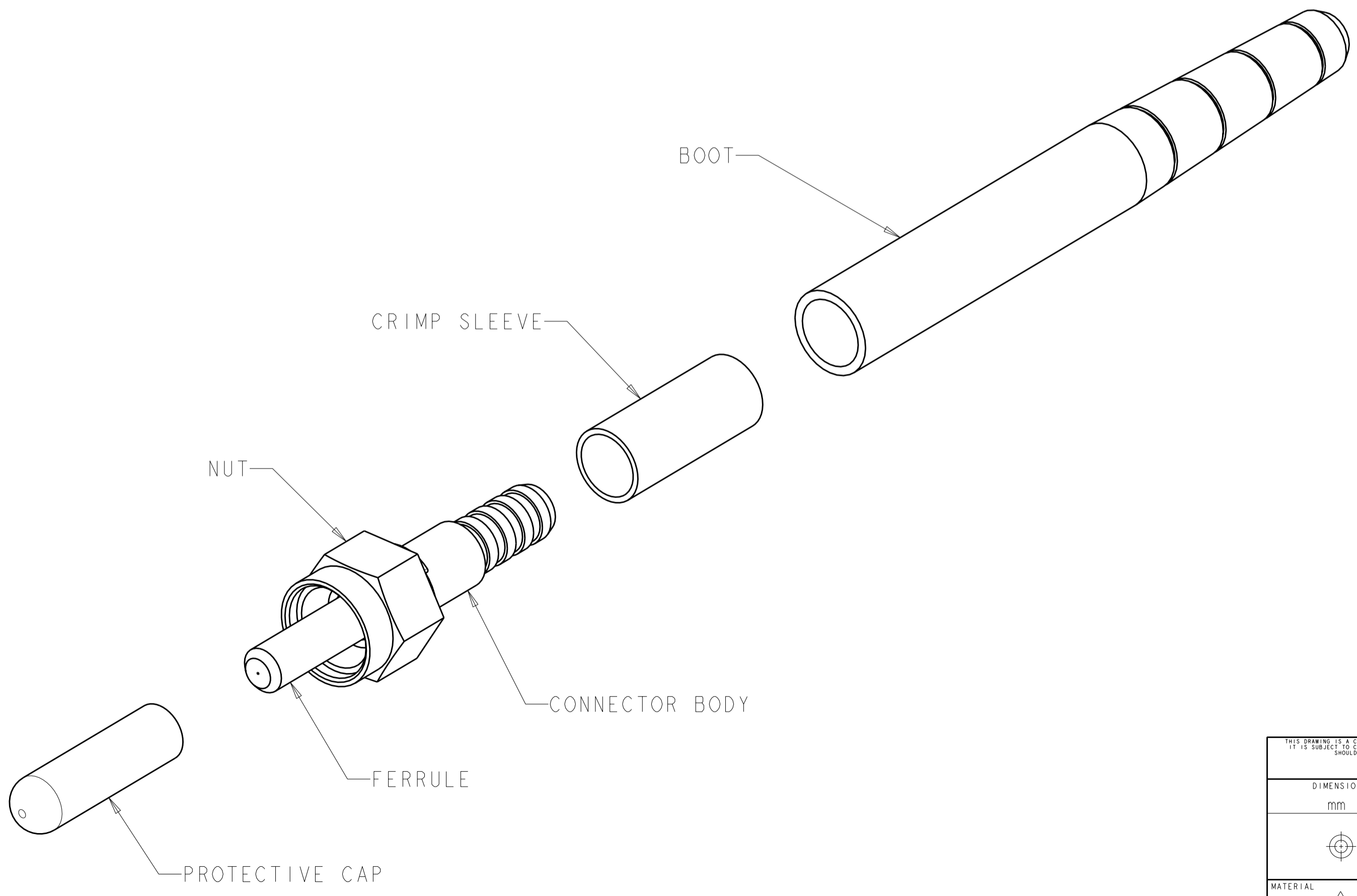
THIS DRAWING IS UNPUBLISHED. RELEASED FOR PUBLICATION 20  
 © COPYRIGHT 20 BY TYCO ELECTRONICS CORPORATION. ALL RIGHTS RESERVED.

LOC	DIST	REVISIONS			
P	LTR	DESCRIPTION	DATE	DWN	APVD
		I	NEW PRODUCT RELEASE	15MAR2006	BB LS
		A	RELEASED PER ECR-07-004102	16MAR2007	JWD LS



△ MATERIAL:  
 FERRULE: STAINLESS STEEL  
 CONNECTOR BODY: STAINLESS STEEL  
 NUT: STAINLESS STEEL  
 CRIMP SLEEVE: NICKEL PLATED COPPER ALLOY  
 BOOT: POLYOLEFIN ELASTOMER, COLOR: BLACK  
 PROTECTIVE COVER: VINYL, COLOR: RED.

2. COUPLING NUT NORMAL TIGHTENING. TORQUE RANGE IS 7.0 TO 10.0 in-lbf. DO NOT EXCEED 20 in-lbf.



125um	5504570-1
FIBER HOLE SIZE	PART NUMBER

THIS DRAWING IS A CONTROLLED DOCUMENT FOR TYCO ELECTRONICS CORPORATION. IT IS SUBJECT TO CHANGE AND THE CONTROLLING ENGINEERING ORGANIZATION SHOULD BE CONTACTED FOR THE LATEST REVISION.		DWN B. BRIGGS 15MAR2006	Tyco Electronics Harrisburg, PA 17105-3608	
DIMENSIONS: mm		CHK L. SAUERWEIN 15MAR2006	NAME CONNECTOR KIT, SMA 905 STAINLESS STEEL FRONT BODY, STAINLESS STEEL REAR BODY, 4.3mm CABLE	
TOLERANCES UNLESS OTHERWISE SPECIFIED: 0 PLC ± 1 PLC ± 2 PLC ± 3 PLC ± 4 PLC ± ANGLES ± FINISH		APVD S. BUCHTER 15MAR2006	SIZE A200779	DRAWING NO C-5504570
MATERIAL △ -		PRODUCT SPEC -	RESTRICTED TO -	
		APPLICATION SPEC -	SCALE 4:1	SHEET 1 OF 1
		WEIGHT -	REV A	
		CUSTOMER DRAWING		