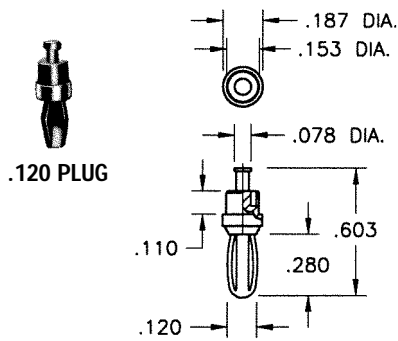




Designers' Choice

BANANA PLUGS

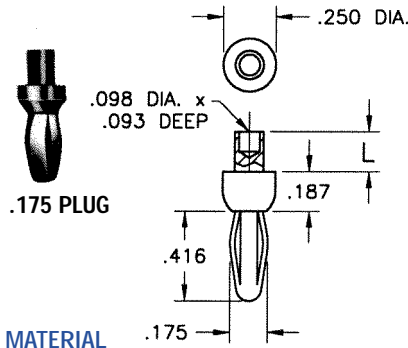
MINIATURE RIVET



MATERIAL
Spring: Beryllium Copper
Body: Brass, Silver Plate

CAT. NO. 452

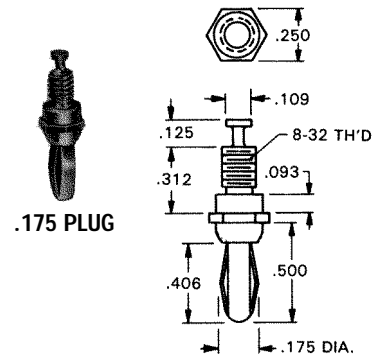
STANDARD RIVET



MATERIAL
Spring: Beryllium Copper
Body: Brass, Nickel Plate

CAT. NO.	L
552-3	.187
552-4	.218

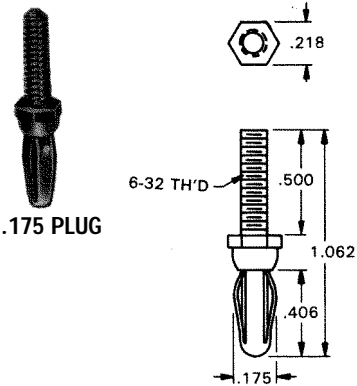
EXTERNAL THREAD



MATERIAL
Spring: Beryllium Copper
Body: Brass, Nickel Plate

CAT. NO. 652

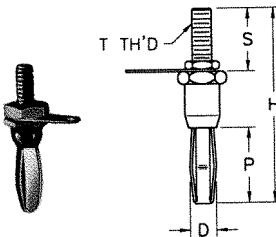
EXTERNAL THREAD



MATERIAL
Spring: Beryllium Copper
Body: Brass, Nickel Plate

CAT. NO. 653

EXTERNAL THREAD

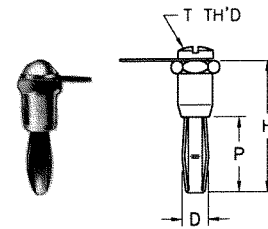


Supplied with lug and nut
Unassembled

MATERIAL
Spring: Nickel Silver
Body: Brass, Nickel Plate

CAT. NO.	D	P	H	S	T
6074-1	.175	.531	1 1/8	.375	6-32
6074-2	.175	.531	1 1/2	.750	6-32
6075	.300	.750	1 3/4	.625	1/4-28

INTERNAL THREAD



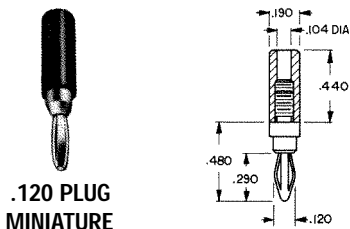
Supplied with screw and lug
Unassembled

MATERIAL
Spring: Nickel Silver
Body: Brass, Nickel Plate

CAT. NO.	D	P	H	T
6072	.175	.531	.937	6-32
6073	.300	.750	1.12	10-32

MINI INSULATED

SOLDER CONNECTION

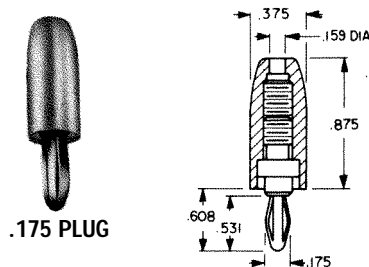


MATERIAL
Spring: Beryllium Copper, Nickel Plate
Body: Brass, Nickel Plate
Handle: Nylon

CAT. NO.	COLOR
6076	RED
6077	BLACK

STANDARD INSULATED

SOLDERLESS CONNECTION

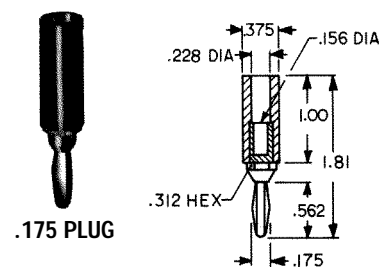


MATERIAL
Spring: Nickel Silver
Body: Brass, Nickel Plate
Handle: Nylon

CAT. NO.	COLOR
6078	RED
6079	BLACK

STANDARD INSULATED

SOLDERLESS CONNECTION



MATERIAL
Spring: Nickel Silver
Body: Brass, Nickel Plate
Handle: Nylon

CAT. NO.	COLOR
6082	RED
6083	BLACK