

PRODUCT NUMBER
57102-XXX-XXXXLF

PLATING
S = 0.38µm GOLD/GXT ON CONTACT AREA
3.81µm TIN LEAD ON TAIL
G = 0.76µm GOLD/GXT ON CONTACT AREA
3.81µm TIN LEAD ON TAIL
F = GOLD FLASH ON CONTACT AREA
3.81µm TIN LEAD ON TAIL

WHEN REQUIRED, ADD SUFFIX LETTER "LF"
INDICATES THE PRODUCT IS RoHS COMPATIBLE
SEE NOTE 7
POLARIZATION, SEE NOTE 6
PACKAGING, SEE NOTE 5
NB OF POSITIONS PER ROW: 02 TO 25 POS

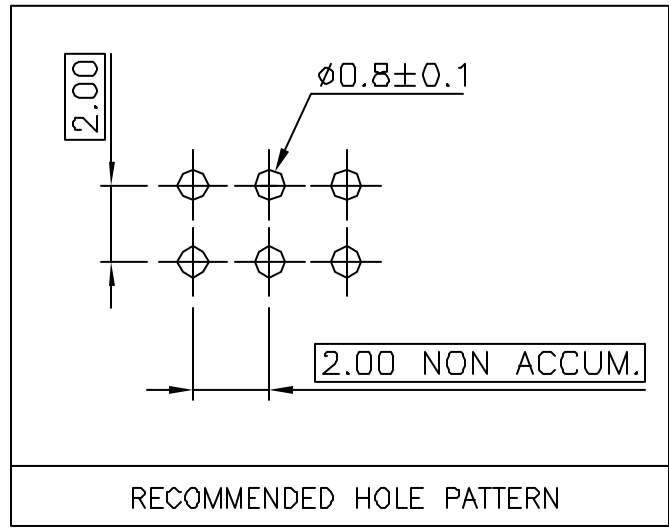
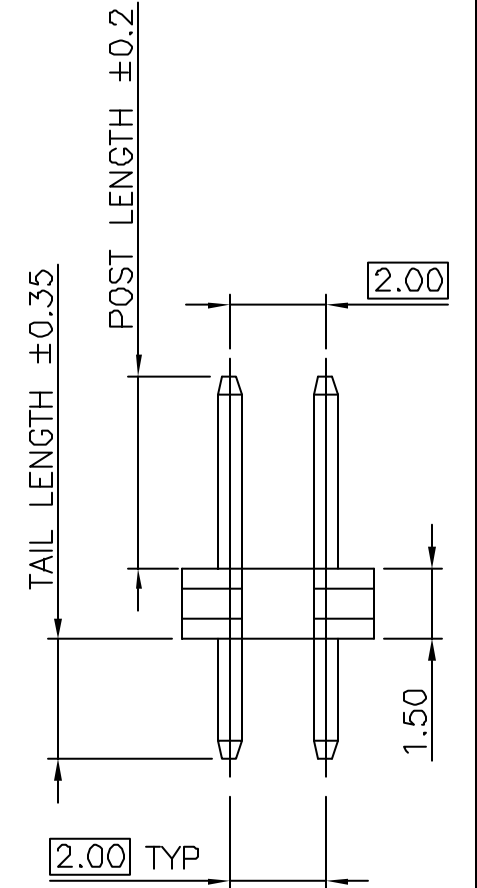
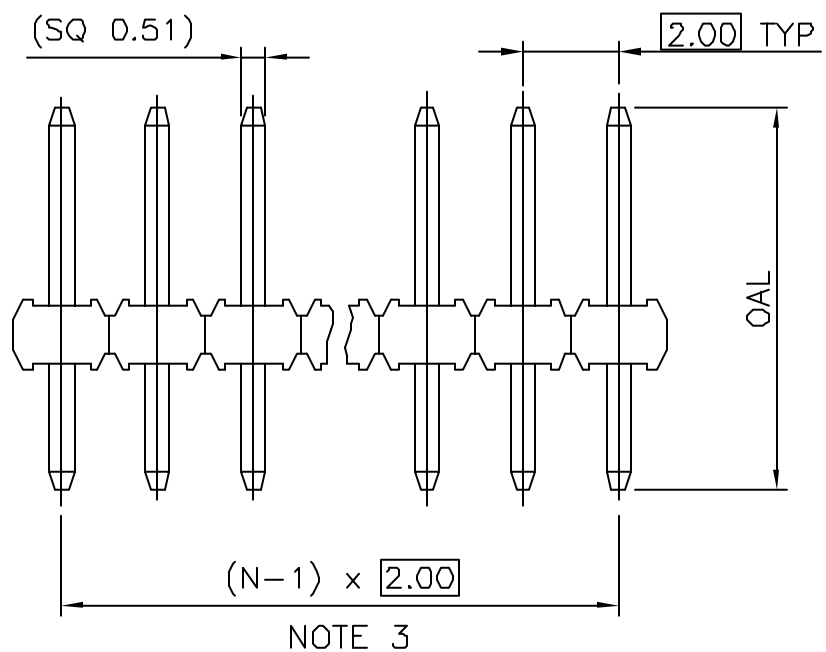
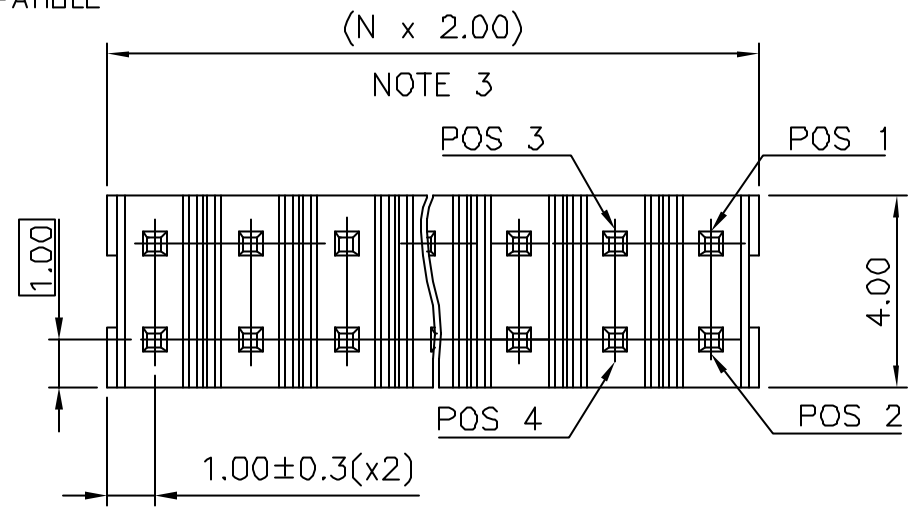
PIN STYLE	POST LENGTH	TAIL LENGTH	OAL
02	2.00	2.50	6.00
04	2.00	3.00	6.50
06	4.00	2.50	8.00
08	4.00	3.00	8.50

WHEN "LF" IS REQUIRED, 2µm MIN
MATTE TIN OVER 1.27µm MIN NICKEL
INSTEAD OF TIN-LEAD

NOTES:

- MATERIAL HOUSING: HIGH TEMP. THERMOPLASTIC
UL 94V-0, COLOR BLACK
- MATERIAL TERMINAL: COPPER ALLOY
- TO DETERMINE DIMENSIONS:
N = NUMBER OF POSITIONS PER ROW
- 7N MIN. PIN RETENTION IN EITHER DIRECTION.
- PACKAGING:
= PLASTIC BOX
- = PLASTIC BOX WHEN POLARIZATION FEATURE APPLICABLE
U = TUBE AVAILABLE FROM 03 TO 25 POS PER ROW
- FOR POLARIZATION, SPECIFIED PIN
EXAMPLE : 03 = OMIT PIN POSITION 3, SEE TOP VIEW
OMIT FROM PRODUCT NUMBER IF THIS FEATURE IS NOT APPLICABLE
- RoHS COMPATIBLE PRODUCT SPECIFICATIONS
 - a - PLATING:
- "LF" MEANS THE PRODUCT IS LEAD-FREE,
2µm MINIMUM MATTE TIN OVER 1.27µm
MINIMUM NICKEL UNDERPLATE.
 - b - MANUFACTURING PROCESS COMPATIBILITY
- THE HOUSING WILL WITHSTAND EXPOSURE TO
260°C ±5°C SOLDER BATH TEMPERATURE FOR
5 SECONDS IN A WAVE SOLDER APPLICATION
WITH A 1.6mm MIN THICK CIRCUIT BOARD.
- COMPATIBLE TO REFLOW PROCESS 260°C MAX
FOR 30 SECONDES
 - c - LABELLING:
- MEETS PACKAGING SPECS AS PER GS-14-920
 - d - LEGAL STATEMENT : SEE GS-22-008

TOP VIEW



mat'l. code				surface ISO 1302 ✓	tolerance ISO 406 ISO 101	projection mm	product family MINITEK		
ltr	ecn	na	dr	date	tolerances unless otherwise specified		title		
D	F03-0205	JCO		03.05.21	angles	.X ±0.3	UNSH HEADER 2.00 mm VERTICAL TMT		
E	F04-0178	LMU		04.11.25	Linear	.XX ±0.13			
F	F04-0378	LMU		04.11.26		.XXX ±0.05	scale 1:1		
G	F05-0124	LMU	dr	05.02.07	J.MULIN	04.05.06	FCJ		
H	F06-0210	LMU	engr	06.07.04	J.COMPAGNON	04.11.25			
J	F08-0145	ELA	chr	17.04.08					
sheet index				revision sheet	appd	JM.C	04.11.25		
							dwg no	sheet 1 of 1	size
							57102		A3
							type	CUSTOMER Drawing	