

PRODUCT NUMBER
57202-XXX-XXXXL1F

PLATING
S = 0.38µm GOLD/GXT ON CONTACT AREA
3.81µm TIN LEAD ON TAIL
G = 0.76µm GOLD/GXT ON CONTACT AREA
3.81µm TIN LEAD ON TAIL
F = GOLD FLASH ON CONTACT AREA
3.81µm TIN LEAD ON TAIL
WHEN "LF" IS REQUIRED, 2µm MIN MATTE TIN OVER 1.27µm MIN NICKEL INSTEAD OF TIN-LEAD

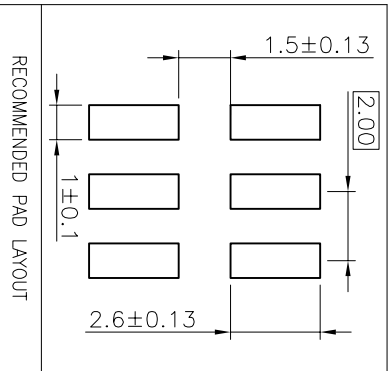
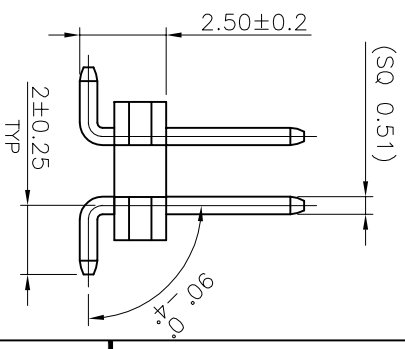
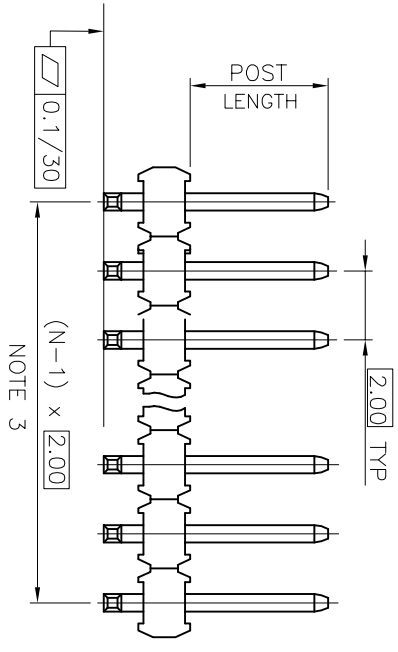
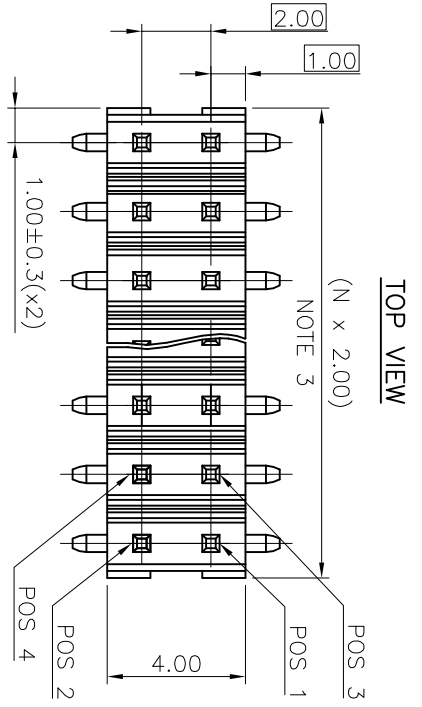
STYLE	POST LENGTH ±0.2
51	2.00
52	4.00
53	3.50

NOTES:

- MATERIAL HOUSING: HIGH TEMP. THERMOPLASTIC
UL 94V-0, COLOR BLACK
- MATERIAL TERMINAL: COPPER ALLOY
- TO DETERMINE DIMENSIONS:
N = NUMBER OF POSITIONS PER ROW.
- 7N MIN. PIN RETENTION IN EITHER DIRECTION.
- PACKAGING:
= PLASTIC BOX.
- = PLASTIC BOX WHEN POLARISATION FEATURE APPLICABLE.
U = TUBE AVAILABLE FROM 04 TO 25 POS PER ROW.
A = TAPE AND REEL WITH PICK UP CAP INSTALLED IN THE CENTER OF THE PRODUCT FOR PICK AND PLACE SEE TA 884 FOR PRODUCT AVAILABILITY.
K = TAPE AND REEL WITHOUT CAP, SEE TA884 FOR AVAILABILITY.

6. FOR POLARIZATION, SPECIFY POSITION NUMBER TO OMIT PIN.
EXAMPLE : 03 = OMIT PIN POSITION 3. SEE TOP VIEW.
OMIT FROM PRODUCT NUMBER IF THIS FEATURE IS NOT APPLICABLE.

7. ROHS COMPATIBLE PRODUCT SPECIFICATIONS
- a - PLATING:
- "LF" MEANS THE PRODUCT IS LEAD-FREE,
2µm MINIMUM MATTE TIN OVER 1.27µm MINIMUM NICKEL UNDERPLATE.
- b - MANUFACTURING PROCESS COMPATIBILITY
- THE HOUSING WILL WITHSTAND EXPOSURE TO 260°C PEAK TEMPERATURE FOR 30 SECONDS IN A CONVECTION, INFRA-RED OR VAPOR PHASE REFLOW OVEN.
- c - LABELLING:
- MEETS PACKAGING SPECS AS PER GS-14-920
- d - LEGAL STATEMENT : SEE GS-22-008



CAP DIMS FOR 2x3 POS UP TO 2x25 POS		CAP DIMS FOR 2x2 POS	
	8.00		5.00
	7.00		4.00

UNSH HEADER		CUSTOMER Drawing	
2.00 mm VERTICAL SMT	sheet 1 of 1 size	57202	A3
product family: MINITEK		CUSTOMER Drawing	