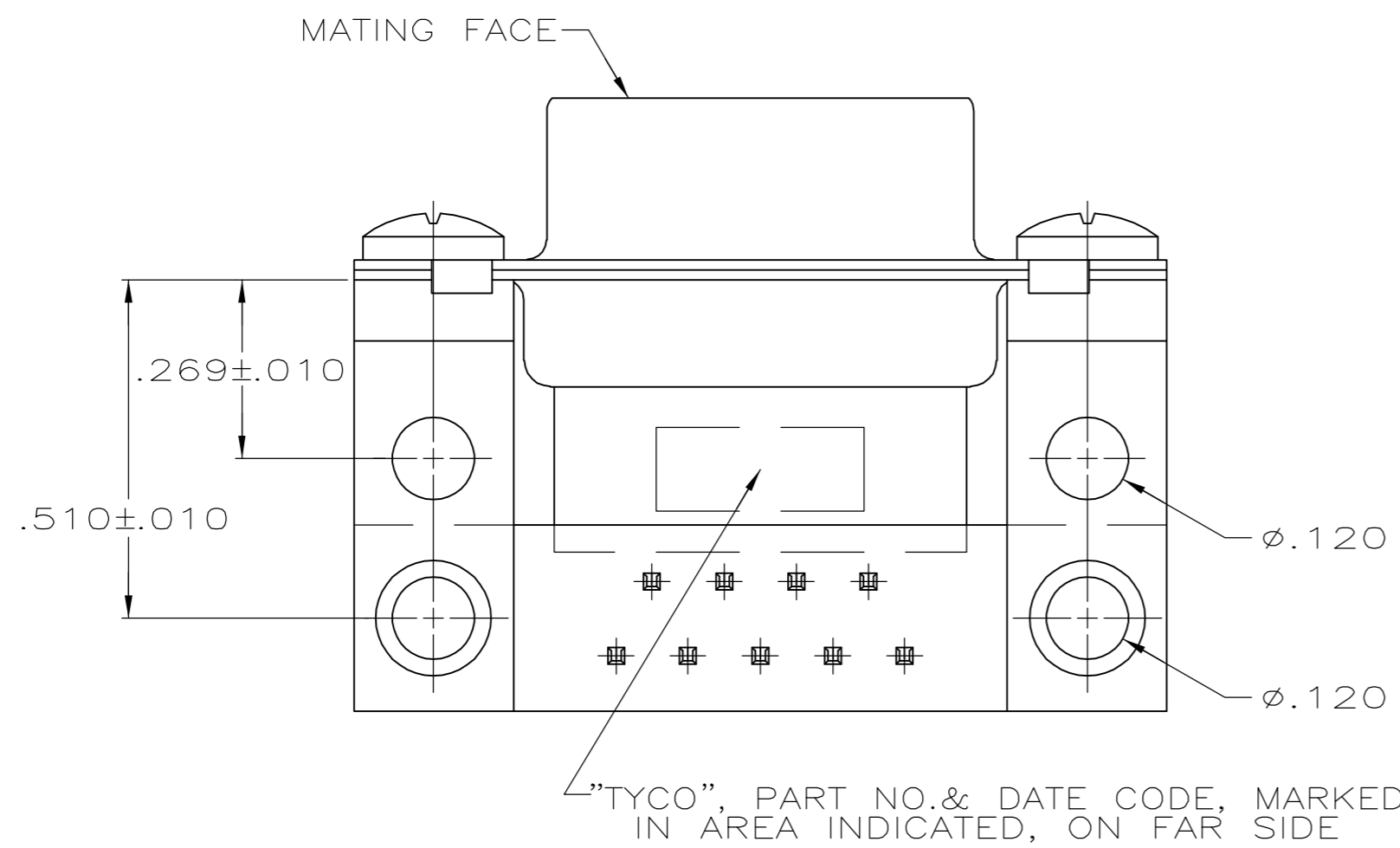
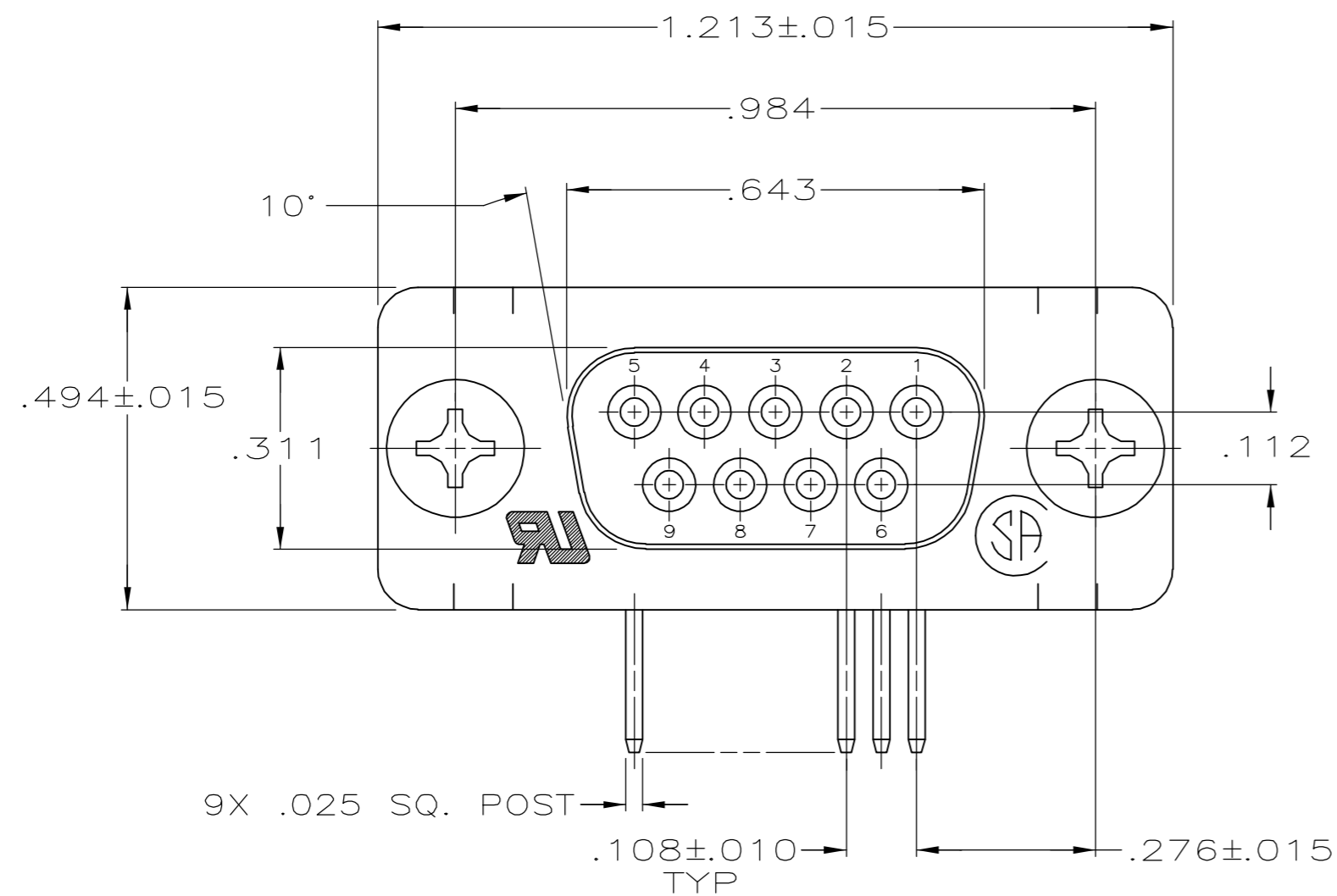
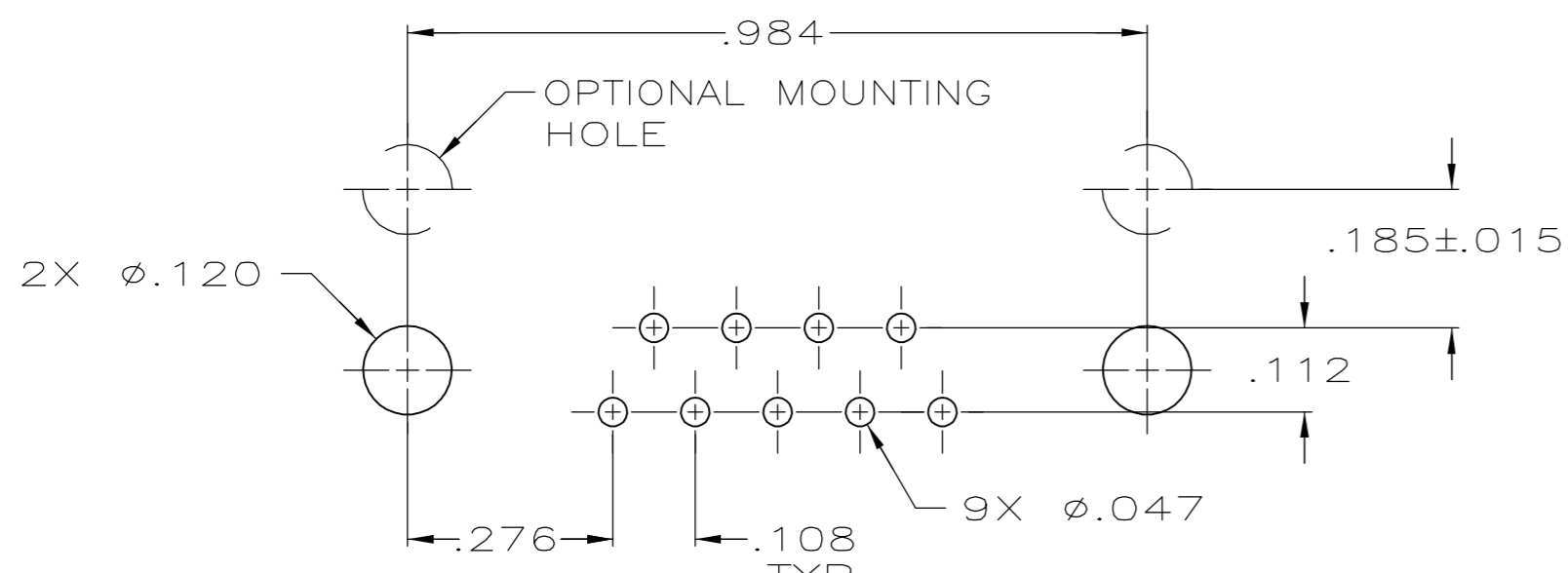
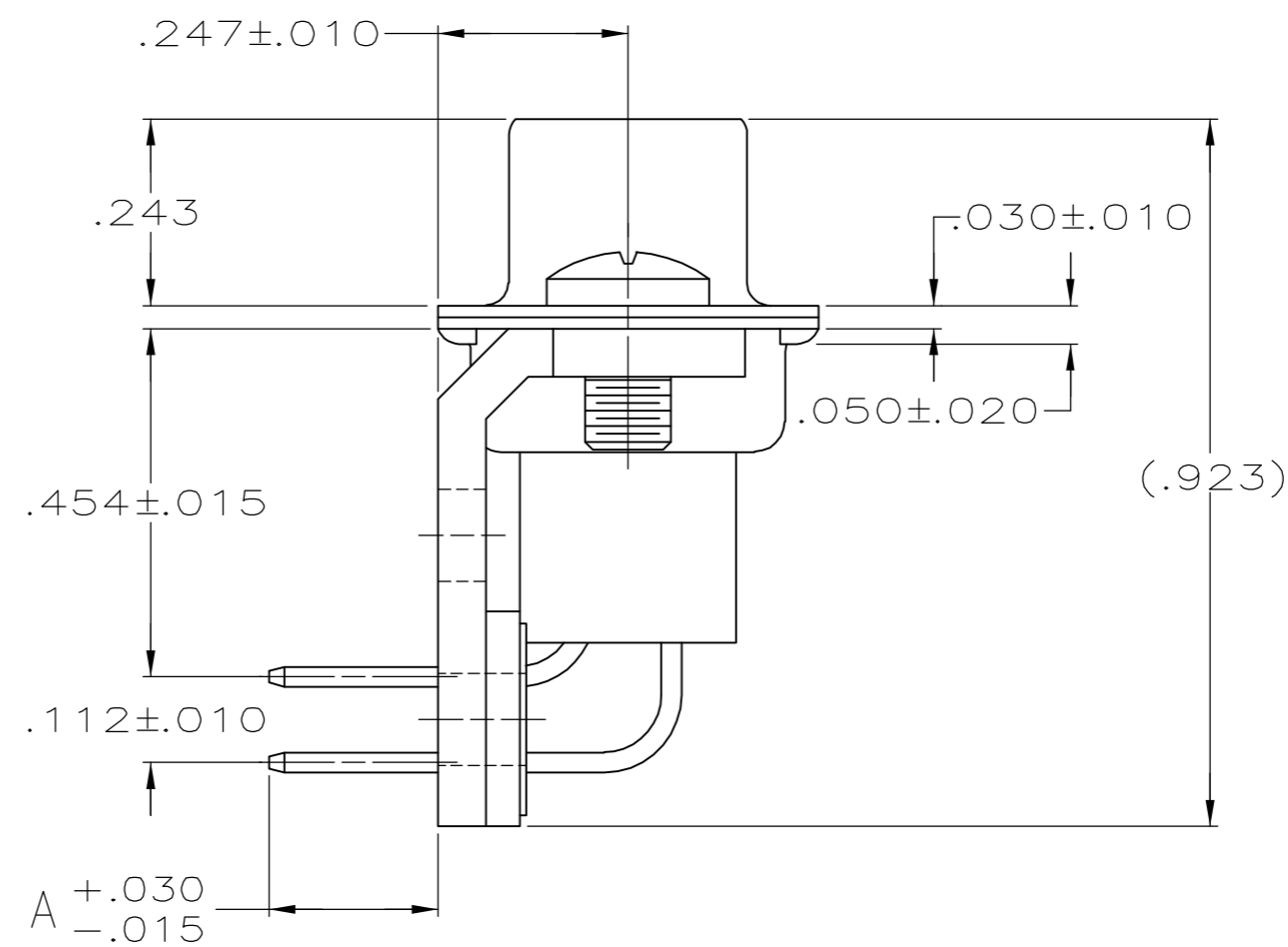


THIS DRAWING IS UNPUBLISHED. RELEASED FOR PUBLICATION
 © COPYRIGHT 2005 BY TYCO ELECTRONICS CORPORATION. ALL RIGHTS RESERVED.

LOC	DIST	REVISIONS			
P	LTR	DESCRIPTION	DATE	DWN	APVD
GP	00	REVISED PER ECO-06-028339	3/JAN/07	ZMREDB	



- 1 MOLDED PARTS: GLASS FILLED NYLON, UL94V-0 RATED, COLOR BLACK.
SHELLS & BRACKETS: CARBON STEEL.
CONTACTS: PHOSPHOR BRONZE.
- 2 SHELLS: .000200 MIN TIN OVER .000100 MIN COPPER.
BRACKETS: .000200 MIN TIN OVER .000050 MIN COPPER.
CONTACTS: SEE TABLE
- 3 GOLD FLASH FOR A LENGTH OF .100 MINIMUM FROM MATING END, .000100 MINIMUM TIN ON OPPOSITE END, BOTH OVER .000050 MINIMUM NICKEL.
- 4 .000030 MIN GOLD FOR A LENGTH OF .100 MIN FROM MATING END, .000100 MIN TIN ON OPPOSITE END, BOTH OVER .000050 MIN NICKEL.
-OR-
GOLD FLASH OVER .000030 MIN PALLADIUM NICKEL PLATED FOR A LENGTH OF .100 MIN FROM MATING END, .000100 MIN TIN ON OPPOSITE END, BOTH OVER .000050 MIN NICKEL.



P.C. BOARD MOUNTING DIMENSIONS

.125	4	5745438-4
.125	3	5745438-3
.220	3	5745438-1
A	CONTACT FINISH	PART NUMBER

DIMENSIONS:		TOLERANCES UNLESS OTHERWISE SPECIFIED:		APVD		NAME	
INCHES		0 PLC	± -	DWN	D. HENNY	8-31-05	tyco Electronics Tyco Electronics Corporation Harrisburg, PA 17105-3608
		1 PLC	± -	CHK	S. BOLASH	8-31-05	
		2 PLC	± -	APVD	M. WALMSLEY	8-31-05	
		3 PLC	± .005	PRODUCT SPEC			
		4 PLC	± -	APPLICATION SPEC			108-40025
		ANGLES	± 2°				114-40013
		FINISH		WEIGHT			
				CUSTOMER DRAWING			