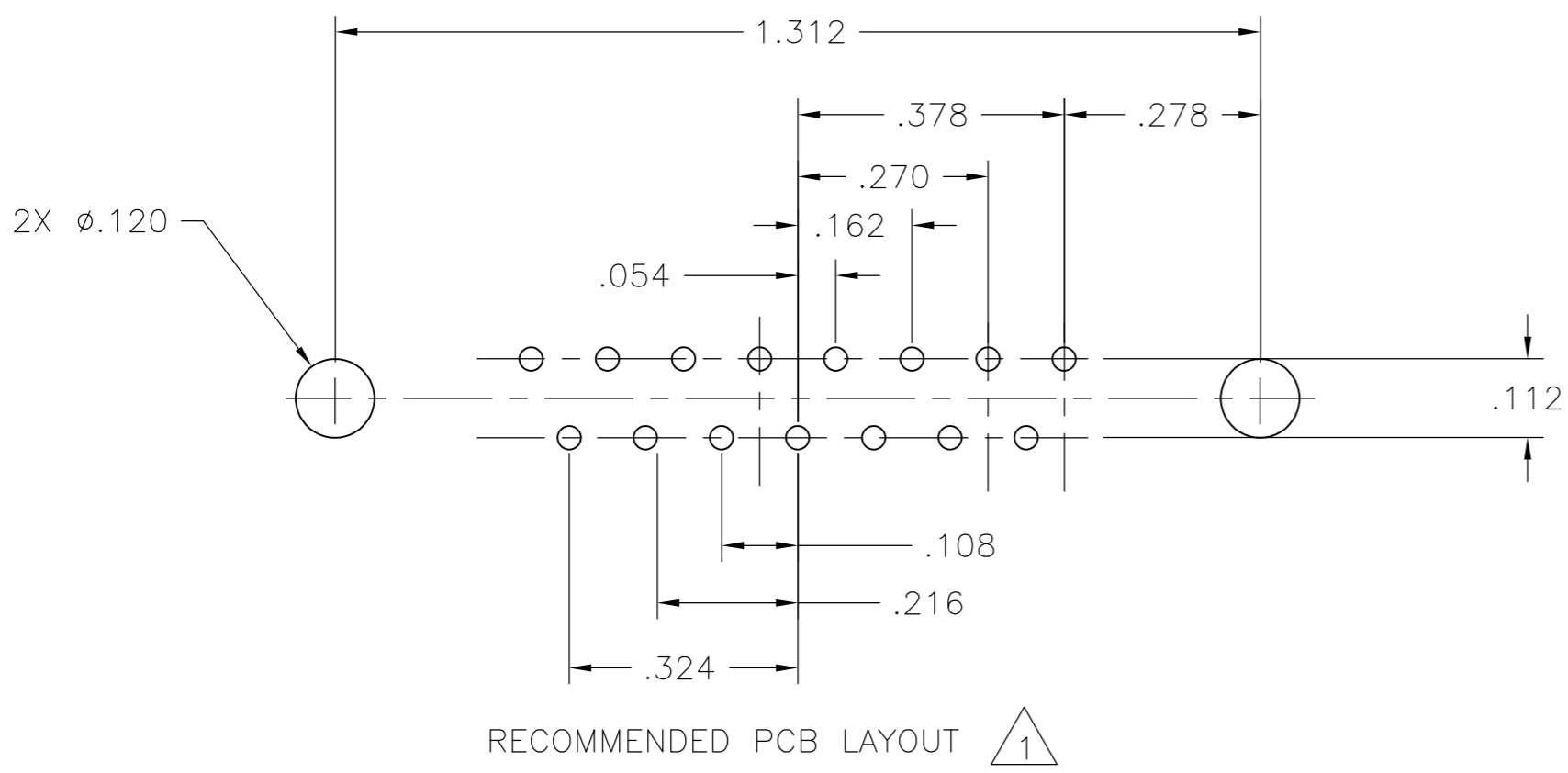
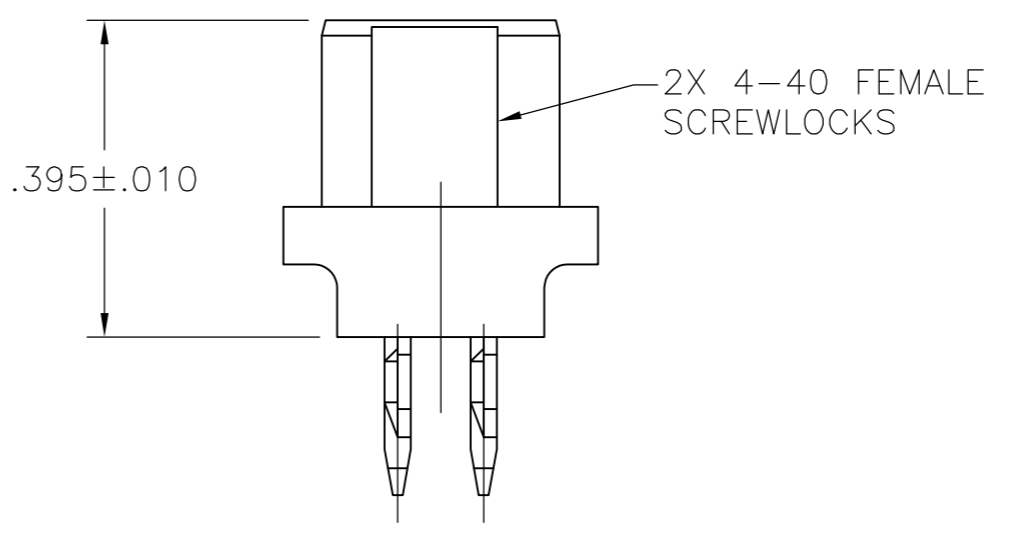
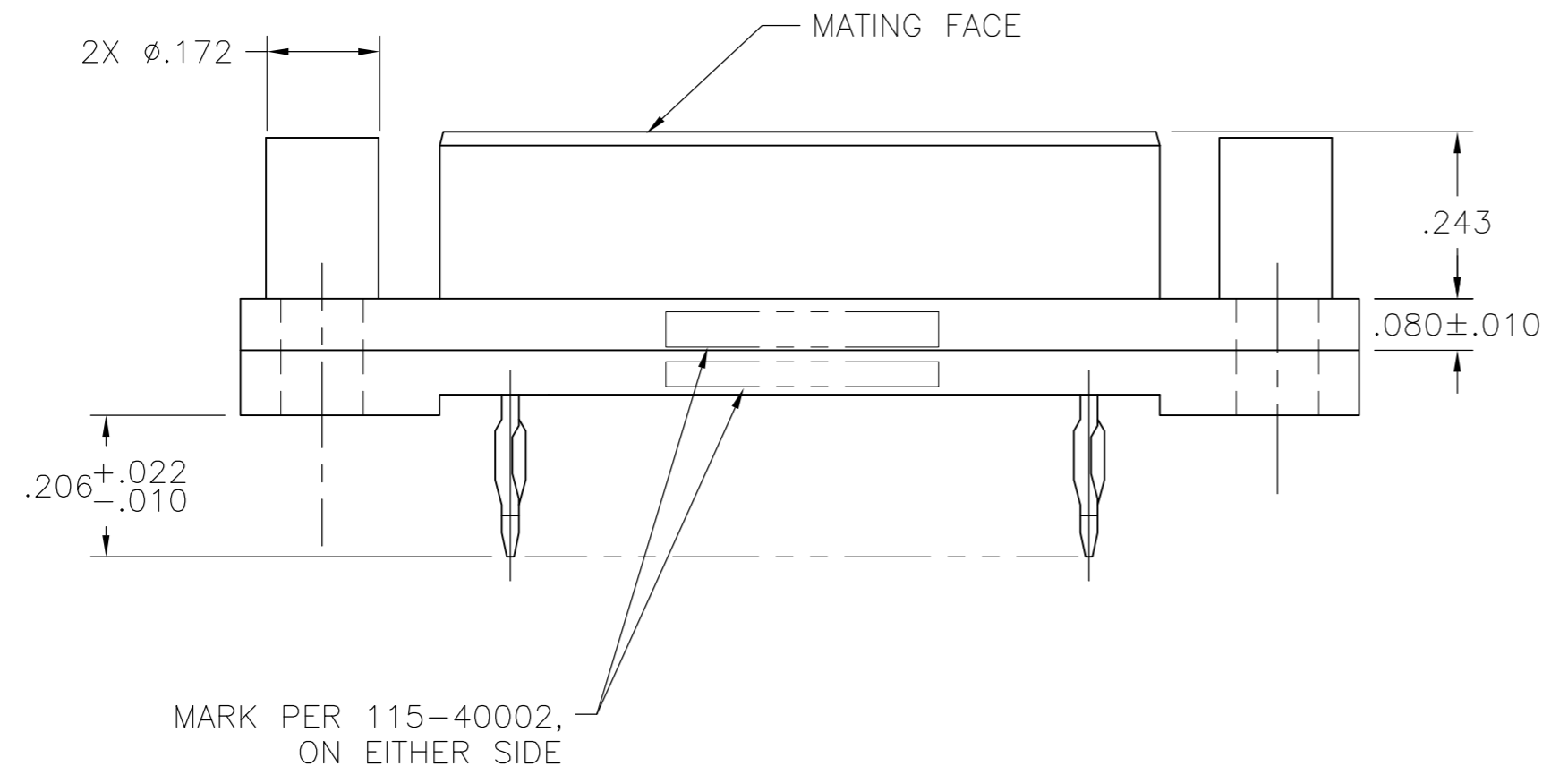
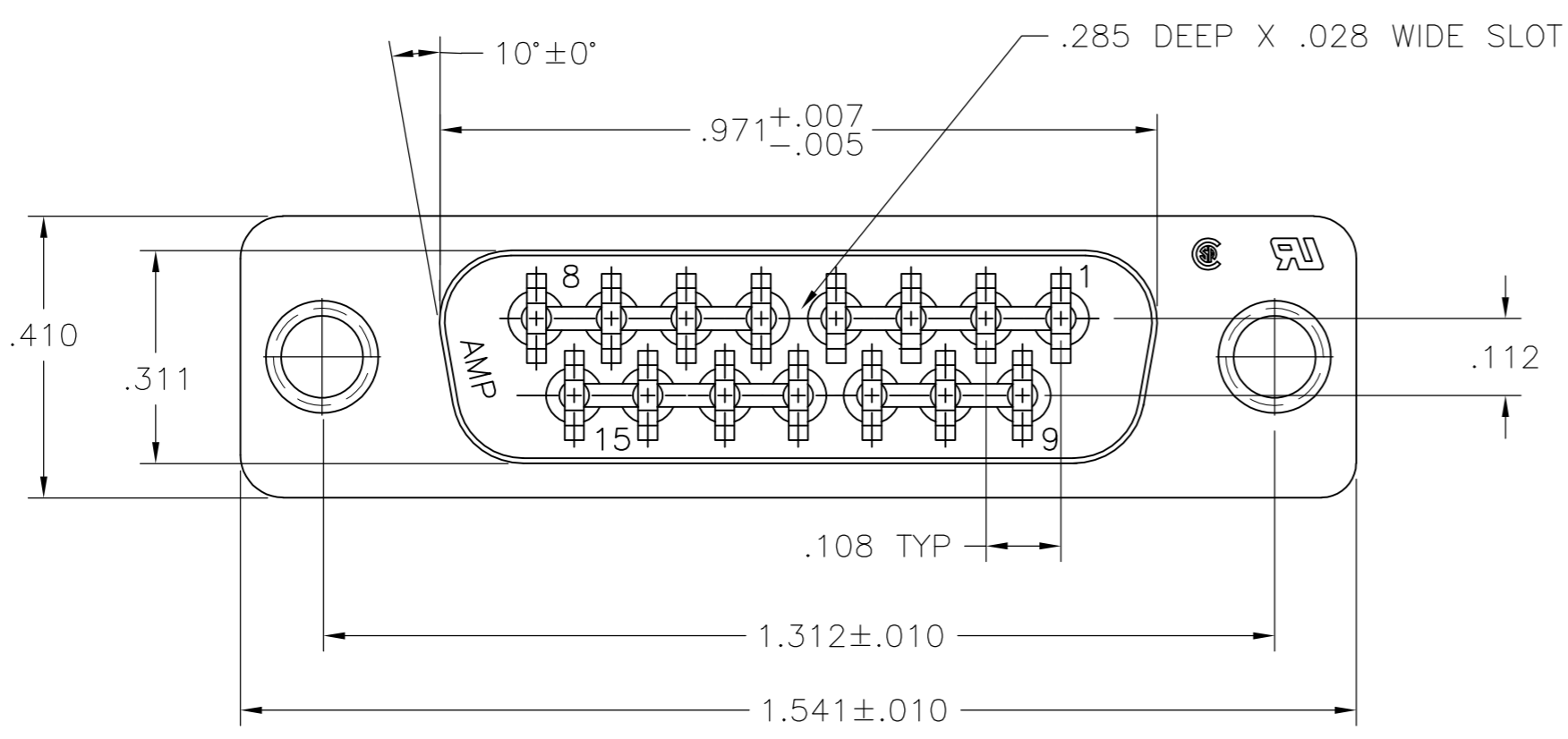


THIS DRAWING IS UNPUBLISHED. RELEASED FOR PUBLICATION
 © COPYRIGHT 2006 BY TYCO ELECTRONICS CORPORATION. ALL RIGHTS RESERVED.

LOC	DIST	REVISIONS					
GP	00	P	LTR	DESCRIPTION	DATE	DWN	APVD
		B		REVISED PER ECO-10-019804	30SEP10	HMR	JL



- 1 RECOMMENDATIONS FOR .093 MIN THICK PC BOARD:
 A. HOLE DIAMETER AFTER DRILLING=.045±.001.
 B. HOLE DIAMETER AFTER TIN PLATING= .037-.043.
 C. HOLE DIAMETER AFTER REFLOW= .036-.043.
 D. PC BOARD PLATING TO BE .000300 MIN TIN OVER .002±.001 COPPER.
- 2 MATERIAL:
 HOUSING: GLASS-FILLED NYLON OR POLYESTER, UL94V-0 RATED. COLOR: BLACK.
 CONTACTS: COPPER ALLOY.
 SCREWLOCKS: BRASS.
- 3 SCREWLOCKS: .000050 MIN NICKEL OVER COPPER FLASH.
- 4 CONTACTS:
 0.76 MICROMETERS [.000030]MIN GOLD IN MATING AREA.
 2.54 MICROMETERS [.000100]MIN TIN ON COMPLIANT PIN.
 ALL OVER 1.27 MICROMETERS [.000050]MIN NICKEL.
 OR
 GOLD FLASH OVER PALLADIUM NICKEL.
 0.76 MICROMETERS [.000030]MIN TOTAL IN MATING AREA.
 2.54 MICROMETERS [.000100]MIN TIN ON COMPLIANT PIN.
 ALL OVER 1.27 MICROMETERS [.000050]MIN NICKEL.

5745456-2
 PART NUMBER

THIS DRAWING IS A CONTROLLED DOCUMENT.		DWN	15MAR06	Tyco Electronics Corporation Harrisburg, PA 17105-3608
DIMENSIONS: INCHES		G.PETERS/DTI	15MAR06	
TOLERANCES UNLESS OTHERWISE SPECIFIED:		S BOLASH	15MAR06	
0 PLC ± - 1 PLC ± - 2 PLC ± - 3 PLC ± .005 4 PLC ± - ANGLES ± -		APVD	15MAR06	
MATERIAL		NAME		M.WALMSLEY PRODUCT SPEC 108-40014 APPLICATION SPEC
FINISH		SIZE	CAGE CODE	DRAWING NO
2 3 4		A2	00779	C=5745456
CUSTOMER DRAWING		WEIGHT	SCALE	SHEET
		-	4:1	1 of 1
		RESTRICTED TO	REV	B
		-		

5745456