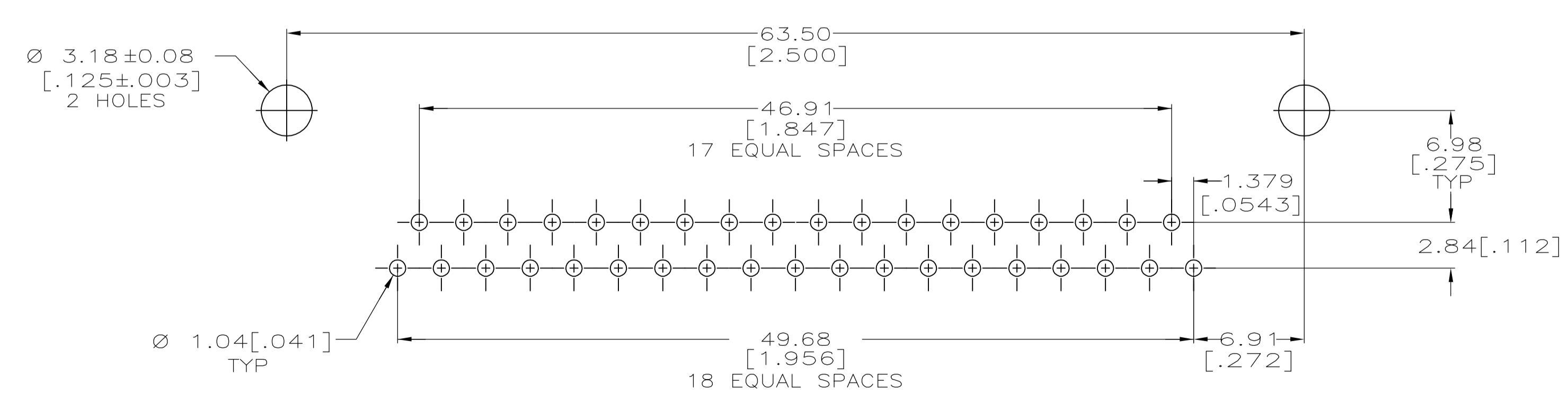
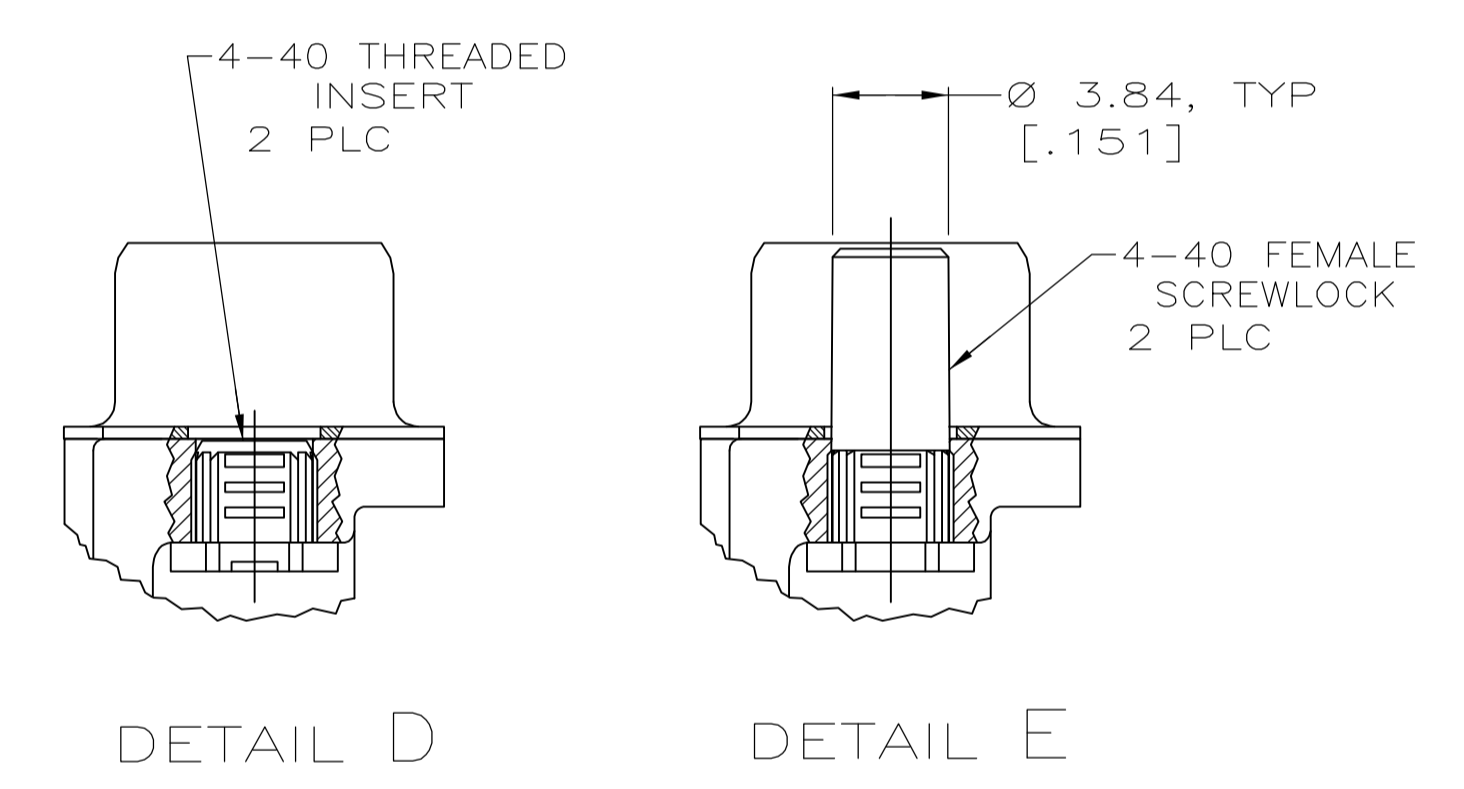
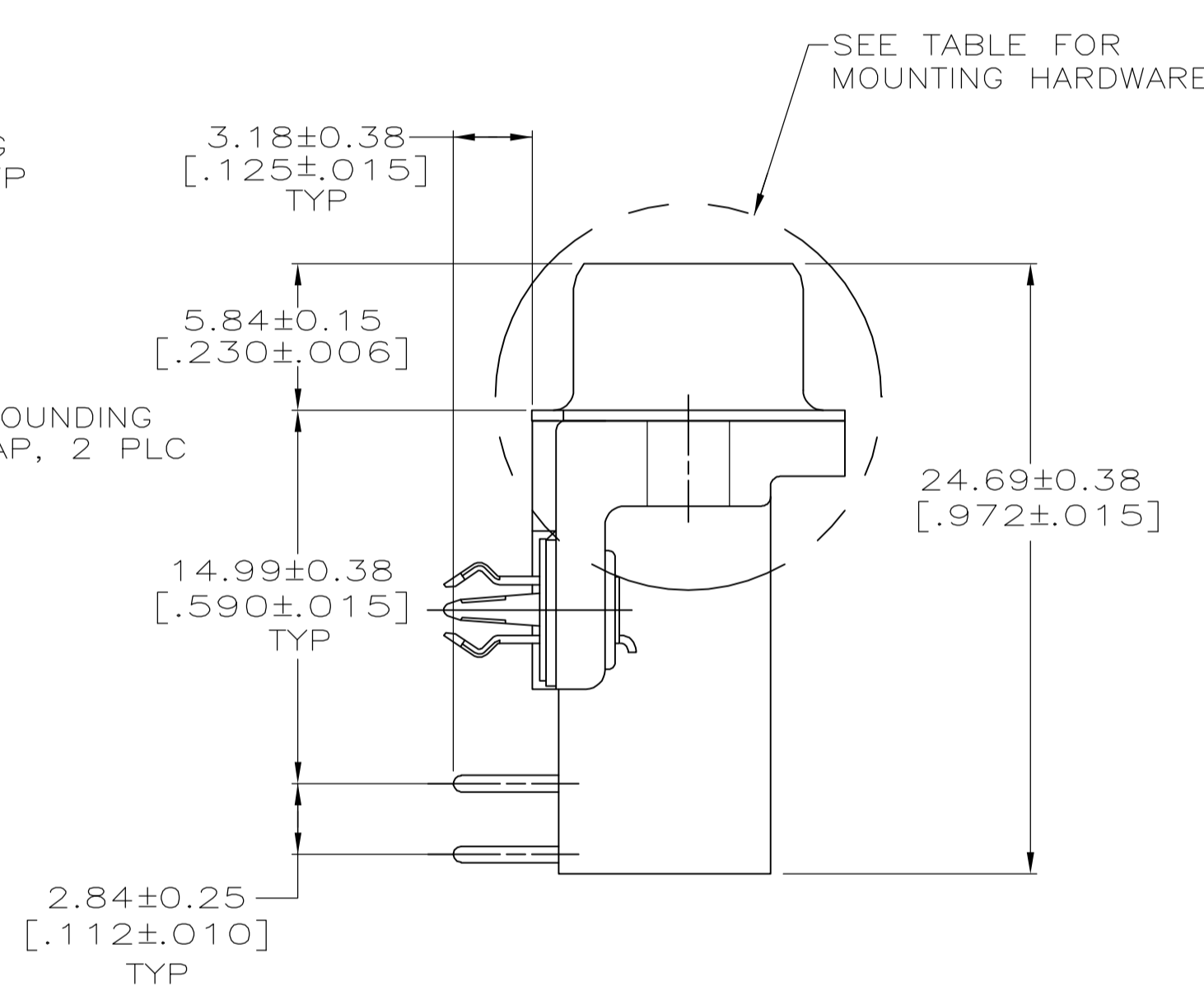
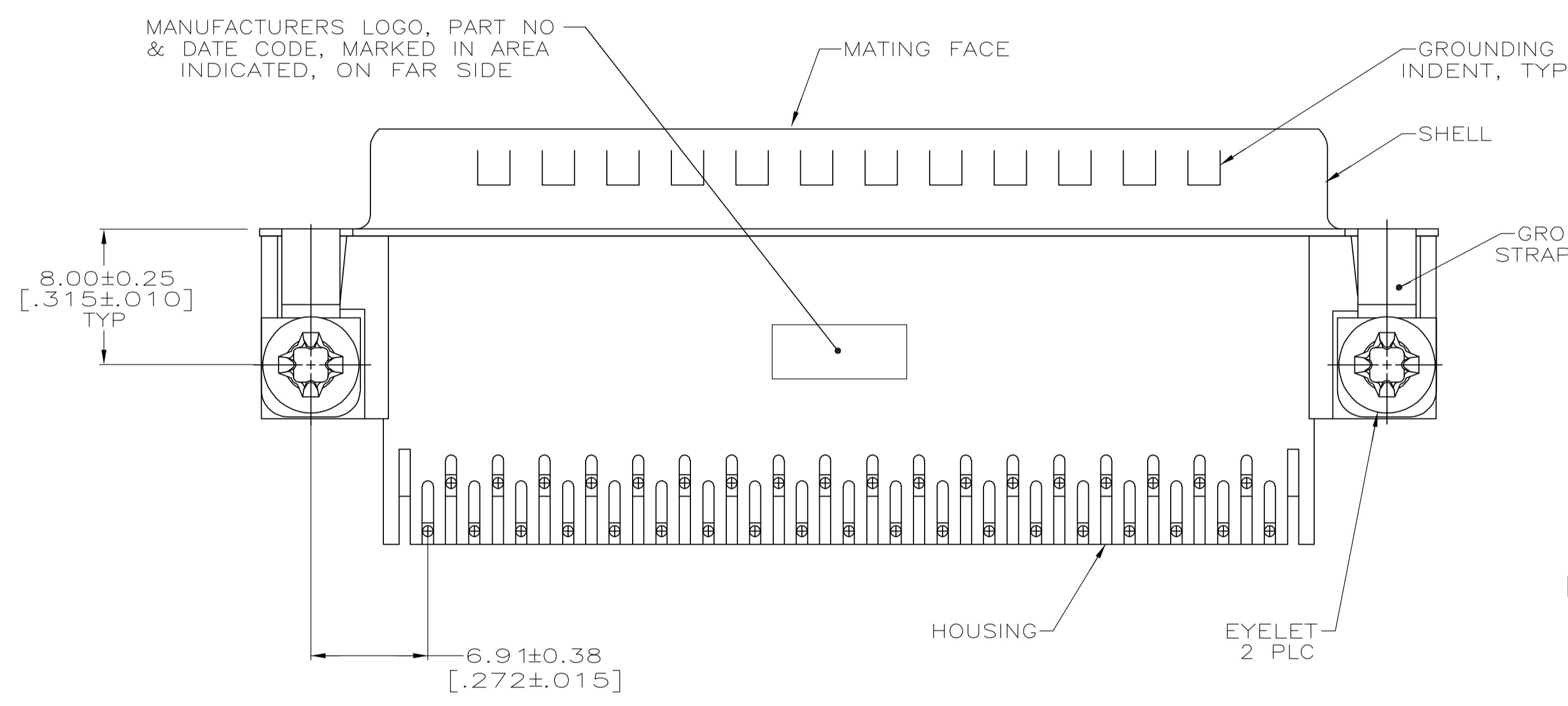
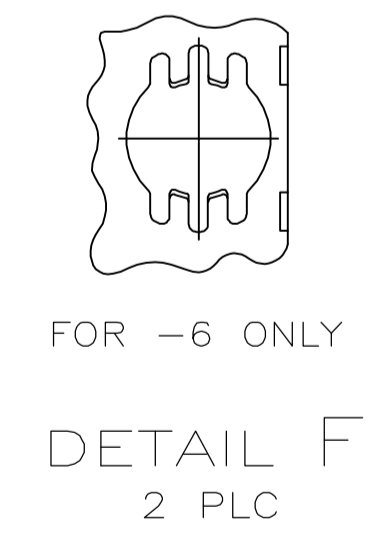


- ① HOUSING: NYLON OR POLYESTER, FLAME RETARDANT, UL 94V-0, GLASS FILLED, BLACK.
 CONTACTS: BRASS
 SHELL: CARBON STEEL
 EYELETS: BRASS
 SCREWLOCKS & INSERTS: ZINC
 BOARDLOCKS: COPPER ALLOY
- ② SHELL: 2.54µm[.000100] MIN TIN OVER 1.27µm[.000050] MIN COPPER.
 EYELETS: 2.54µm[.000100] MIN TIN OVER COPPER FLASH.
 BOARDLOCKS: 3.81µm[.000150] MIN TIN OVER 1.27µm[.000050] MIN NICKEL.
 CONTACTS: GOLD PLATED FOR A LENGTH OF 3.81 [.150] MIN FROM MATING END, 0.76µm [.000030] MIN GOLD IN MATED AREA, 2.54µm [.000100] MIN TIN FOR A LENGTH OF 3.56 [.140] MIN FROM OPPOSITE END, BOTH OVER 1.27µm[.000050] MIN NICKEL.
 -OR-
 GOLD FLASH OVER PALLADIUM NICKEL PLATED FOR A LENGTH OF 3.81 [.150] MIN FROM MATING END, 0.76µm [.000030] MIN PALLADIUM NICKEL IN MATED AREA, 2.54µm [.000100] MIN TIN FOR A LENGTH OF 3.56 [.140] MIN FROM OPPOSITE END, BOTH OVER 1.27µm[.000050] MIN NICKEL.
 SCREWLOCKS & INSERTS: CLEAR CHROMATE



RECOMMENDED P.C. BOARD MOUNTING DIMENSIONS
 P.C. BOARD THICKNESS: 1.57[.062]



**COPYRIGHT 2005
 TYCO ELECTRONICS CORP
 ALL RIGHTS RESERVED**

SEE DETAIL E	5747835-6
SEE DETAIL D	5747835-4
MOUNTING HARDWARE	PART NUMBER

THIS DRAWING IS A CONTROLLED DOCUMENT.		DIN	G. ATTADIA - 04-11-05	tyco Electronics	Tyco Electronics Corporation	
DIMENSIONS: mm [INCHES]		CHK	S. BOLASH 04-11-05		Harrisburg, PA 17105-3608	
TOLERANCES UNLESS OTHERWISE SPECIFIED:		APVD	M. WALMSLEY 04-11-05	NAME		
0 PLC	± -	PRODUCT SPEC		PLUG ASSEMBLY, SIZE 4, 37 POSITION, RIGHT ANGLE, FRONT METAL SHELL, .590 SERIES, BOARDLOCKS, AMPLIMITE HD-20		
1 PLC	± -	APPLICATION SPEC		108-40025		
2 PLC	± -	DRAWING NO		114-40010		
3 PLC	± 0.13[.005]	WEIGHT		A1 00779 ©=5747835		
4 PLC	± - 2 0'	CUSTOMER DRAWING		SCALE 4:1 SHEET 1 OF 1 REV A		
ANGLES	± - 2 0'	RESTRICTED TO				