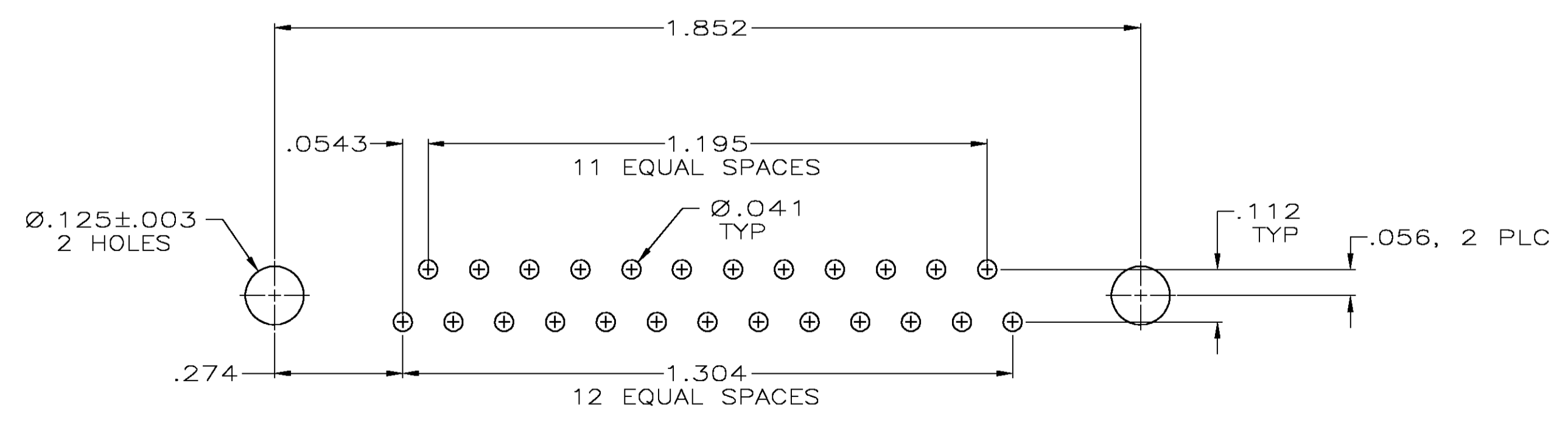
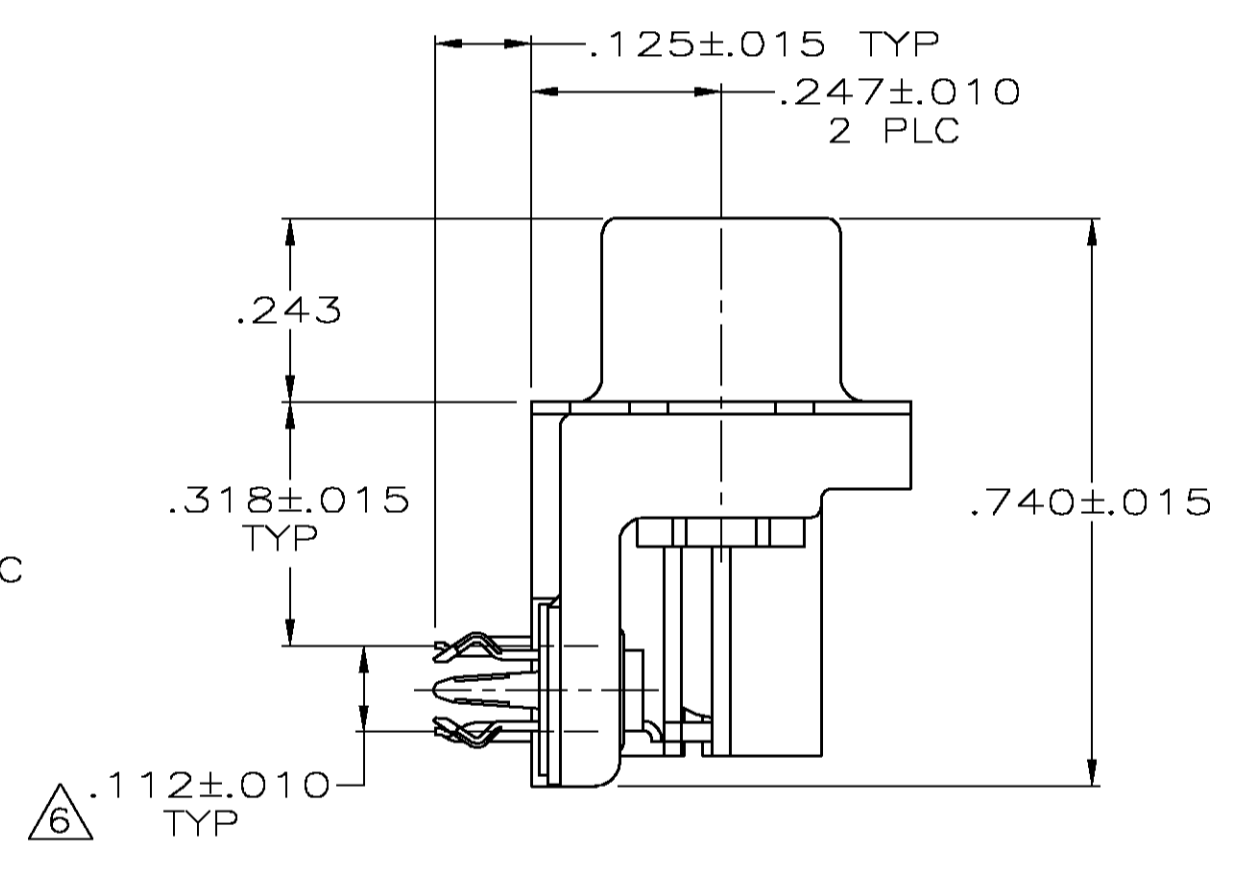
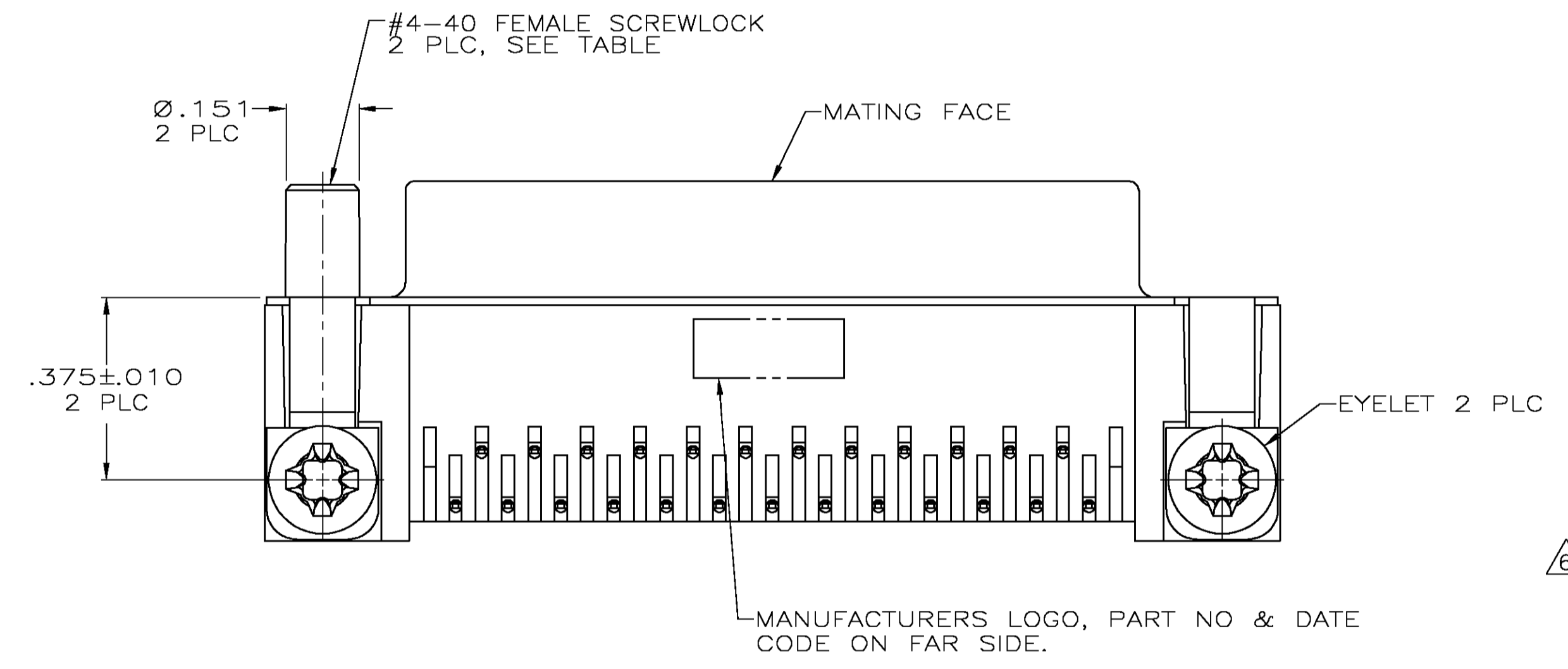
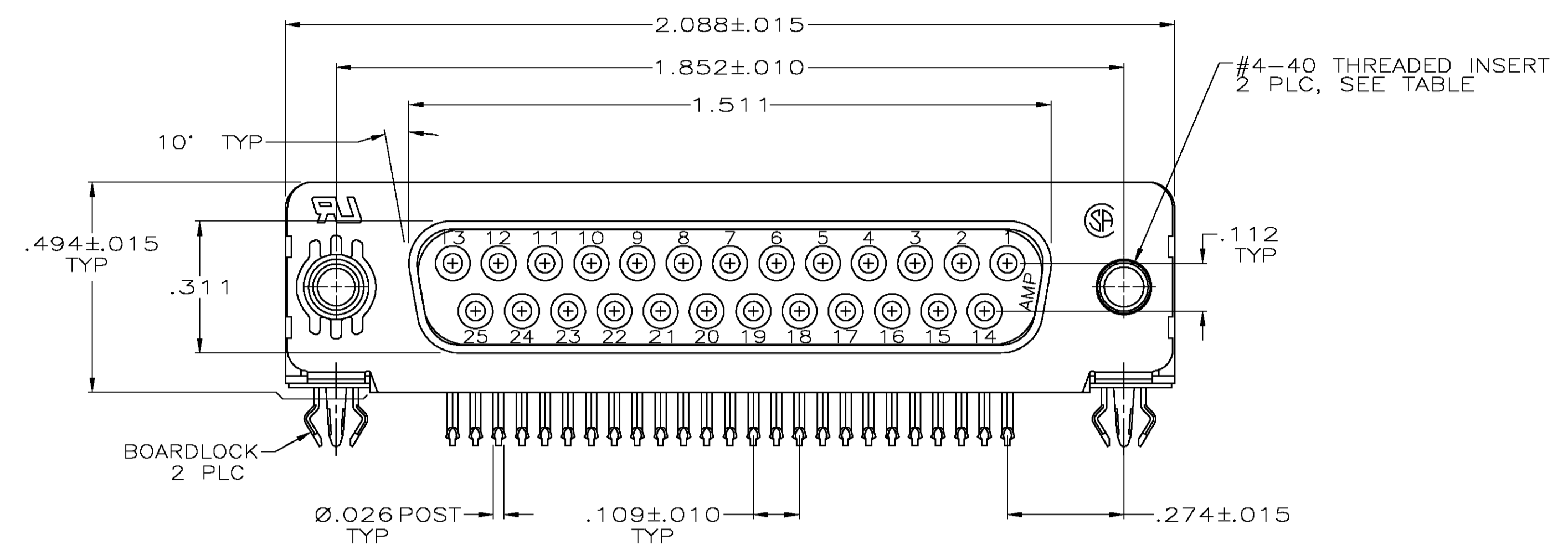


LOC		DIST		REVISIONS			
P	LR	DATE	DMN	APVD			
0		RELEASED PER EC 0513-0016-05	04-06-05	LV	JG		



- CONNECTOR MATES WITH ANY 25 POSN PLUG IN AMPLIMITE SERIES.
- MOLDED PARTS: FLAME RETARDANT 94V-0 RATED THERMOPLASTIC, BLACK.
SHELL: CARBON STEEL.
CONTACTS: PHOSPHOR BRONZE.
EYELETS: BRASS.
SCREWLOCKS: ZINC.
INSERTS: ZINC.
BOARDLOCKS: BRASS.
- SHELL: .000100 MIN TIN OVER .000100 MIN COPPER.
CONTACTS: SEE TABLE.
EYELETS: .000100 MIN TIN OVER COPPER FLASH.
BOARDLOCKS: .000150 MIN TIN OVER .000050 MIN NICKEL.
INSERTS AND SCREWLOCKS: CLEAR CHROMATE.
- GOLD FLASH FOR A DISTANCE OF .100 MIN FROM MATING END, .000100 MIN TIN ON TERMINATION END, ALL OVER .000050 MIN NICKEL ON ENTIRE CONTACT.
- .000030 MIN GOLD FOR A DISTANCE OF .100 MIN FROM MATING END, .000100 MIN TIN ON TERMINATION END, ALL OVER .000050 MIN NICKEL ON ENTIRE CONTACT.
- DIMENSION APPLIES FROM CENTER OF CONTACTS.

FEMALE SCREWLOCKS	△5	5747846-6
FEMALE SCREWLOCKS	△4	5747846-5
THREADED INSERTS	△5	5747846-4
THREADED INSERTS	△4	5747846-3
.125 DIA HOLES	△5	5747846-2
MOUNTING HARDWARE	CONTACT FINISH	PART NUMBER

**COPYRIGHT 2005
 TYCO ELECTRONICS CORP
 ALL RIGHTS RESERVED**

DIMENSIONS:		TOLERANCES UNLESS OTHERWISE SPECIFIED:		APVD		MATERIAL		FINISH	
INCHES		0 PLC	± -	04-06-05	L. VARELA - DOCKS	04-06-05	04-06-05	04-06-05	
		1 PLC	± -	04-06-05	S. BOLASH	04-06-05	04-06-05	04-06-05	
		2 PLC	± -						
		3 PLC	± .005						
		4 PLC	± -						
		ANGLES	± - Z						

THIS DRAWING IS A CONTROLLED DOCUMENT.		Tyco Electronics Corporation	
APVD	M. WALMSLEY	04-08-05	Harrisburg, PA 17105-3608
PRODUCT SPEC	108-40025	NAME	RECEPTACLE ASSEMBLY, SIZE 3, 25 POSITION, RIGHT ANGLE, FRONT METAL SHELL, .318 SERIES, .026 DIA POSTS, BOARDLOCKS, AMPLIMITE HD-20
APPLICATION SPEC	114-40010	SIZE	A1
WEIGHT	-	CAGE CODE	00779
CUSTOMER DRAWING		DRAWING NO	5747846
		SCALE	4:1
		SHEET	1 OF 1
		REV	0