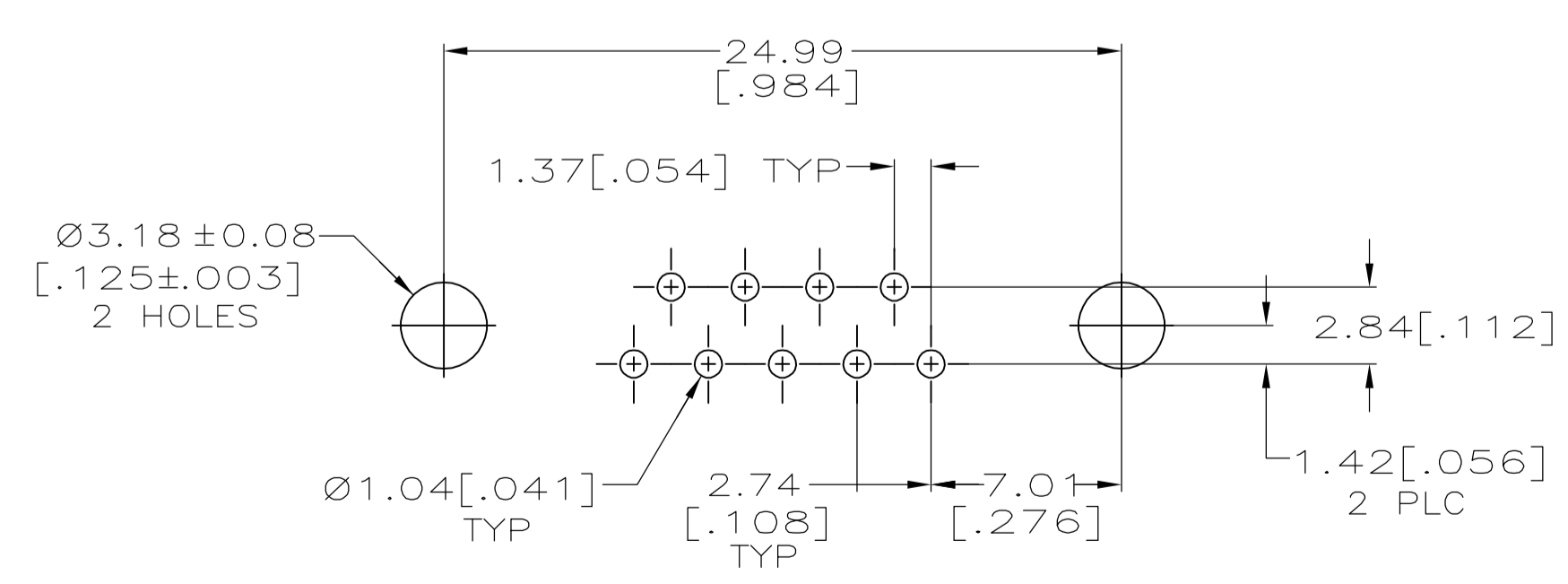
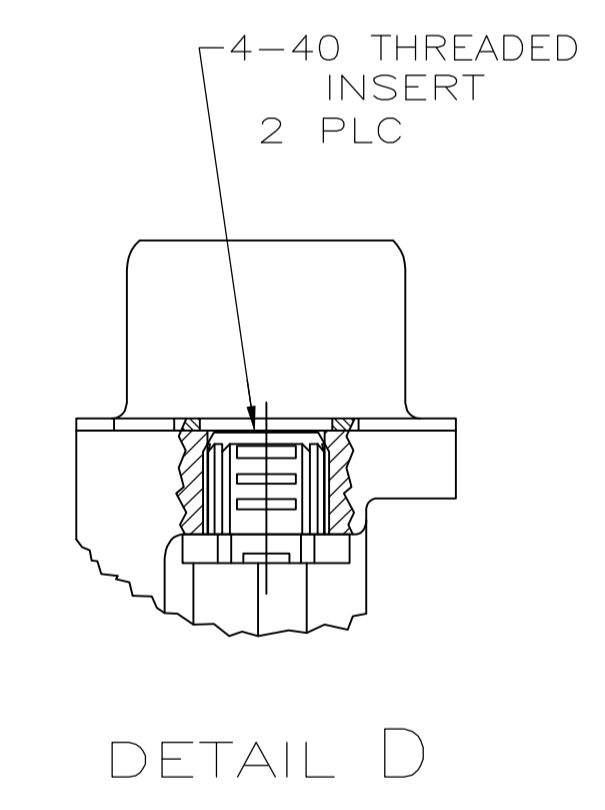
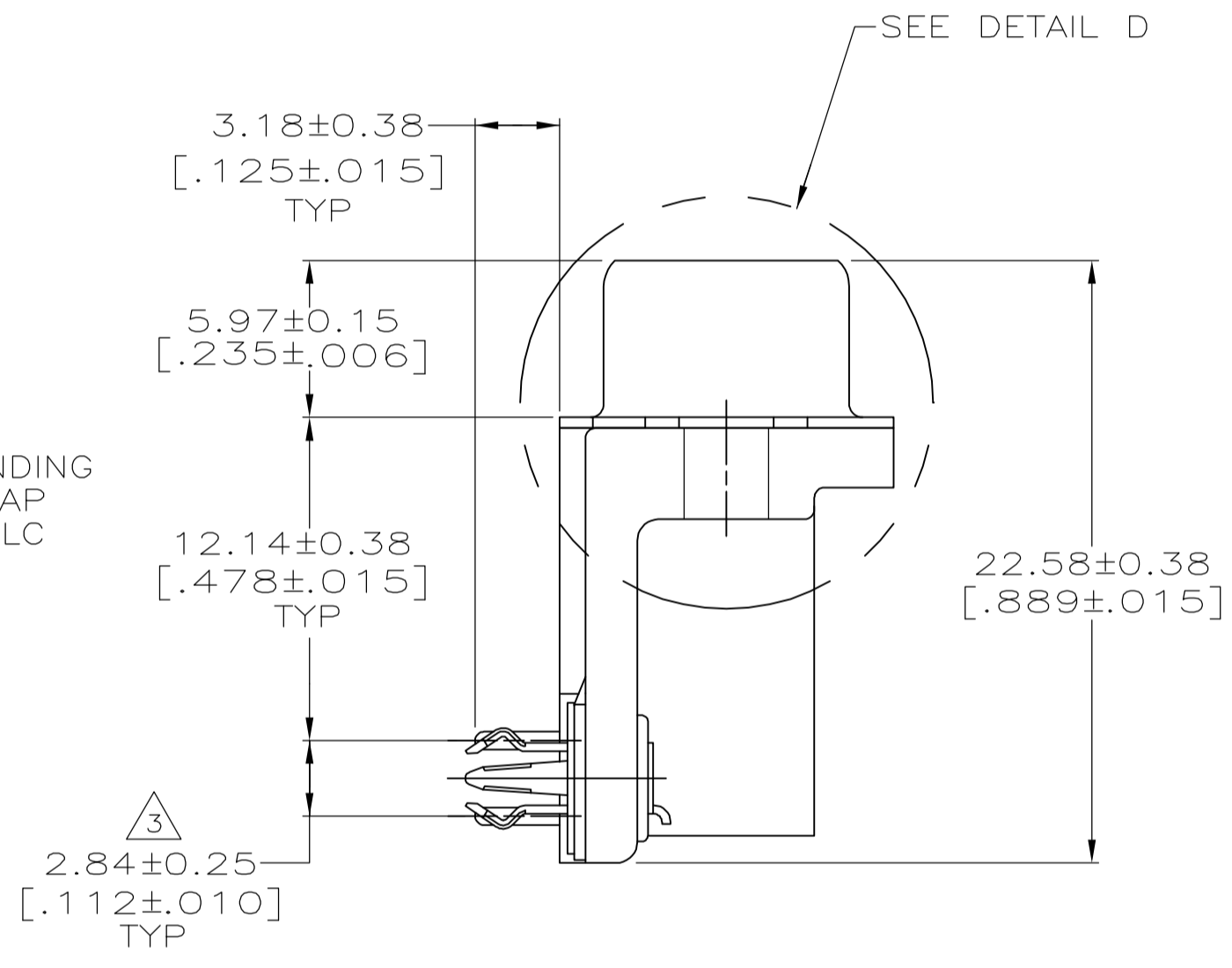
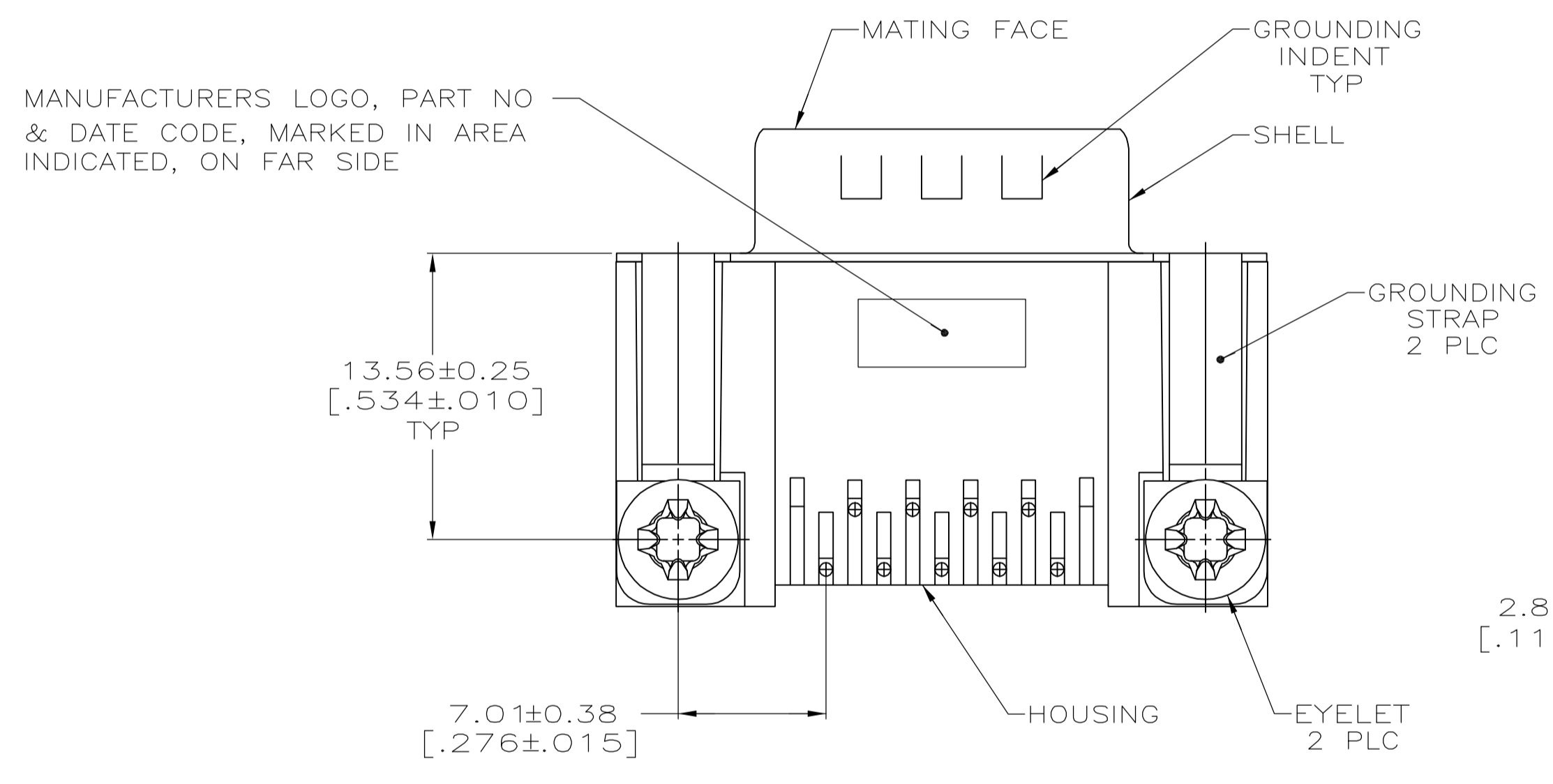


1 HOUSING: NYLON OR POLYESTER, FLAME RETARDANT, UL 94V-0 RATED, GLASS FILLED, BLACK.  
 CONTACTS: BRASS  
 SHELL: CARBON STEEL  
 EYELETS: BRASS  
 INSERTS: ZINC  
 BOARDLOCKS: COPPER ALLOY

2 SHELL: 2.54µm [.000100] MIN TIN OVER 1.27µm [.000050] MIN COPPER.  
 EYELETS: 2.54µm [.000100] MIN TIN OVER COPPER FLASH.  
 BOARDLOCKS: 3.81µm [.000150] MIN TIN OVER 1.27µm [.000050] MIN NICKEL.  
 INSERTS: CLEAR CHROMATE  
 CONTACTS: GOLD PLATED FOR A LENGTH OF 3.81 [.150] MIN FROM MATING END, 0.76µm [.000030] MIN GOLD IN MATED AREA, 2.54µm [.000100] MIN TIN FOR A LENGTH OF 3.56 [.140] MIN FROM OPPOSITE END, BOTH OVER 1.27µm [.000050] MIN NICKEL.  
 -OR-  
 GOLD FLASH OVER PALLADIUM NICKEL PLATED FOR A LENGTH OF 3.81 [.150] MIN FROM MATING END, 0.76µm [.000030] MIN PALLADIUM NICKEL IN MATED AREA, 2.54µm [.000100] MIN TIN FOR A LENGTH OF 3.56 [.140] MIN FROM OPPOSITE END, BOTH OVER 1.27µm [.000050] MIN NICKEL.

3 DIMENSION APPLIES FROM CENTER OF CONTACTS.



**COPYRIGHT 2005  
 TYCO ELECTRONICS CORP  
 ALL RIGHTS RESERVED**

5747848-4  
 PART NUMBER

THIS DRAWING IS A CONTROLLED DOCUMENT.		DIN L VARELA - 04-06-05	Tyco Electronics Corporation Harrisburg, PA 17105-3608
DIMENSIONS: mm [INCHES]		CHK S BOLASH 04-06-05	
TOLERANCES UNLESS OTHERWISE SPECIFIED:		APVD M WALMSLEY 04-06-05	NAME PLUG ASSEMBLY, SIZE 1, 9 POSITION, RIGHT ANGLE, FRONT METAL SHELL, .478 SERIES, BOARDLOCKS, AMPLIMITE HD-20
0 PLC ± -		PRODUCT SPEC 108-40025	
1 PLC ± -		APPLICATION SPEC 114-40010	SIZE A1
2 PLC ± 0.13 [.005]		WEIGHT -	CAGE CODE DRAWING NO 00779 C=5747848
3 PLC ± -		CUSTOMER DRAWING	RESTRICTED TO
4 PLC ± -		SCALE 4:1	SHEET 1 OF 1
ANGLES ± -		REV A	
FINISH			