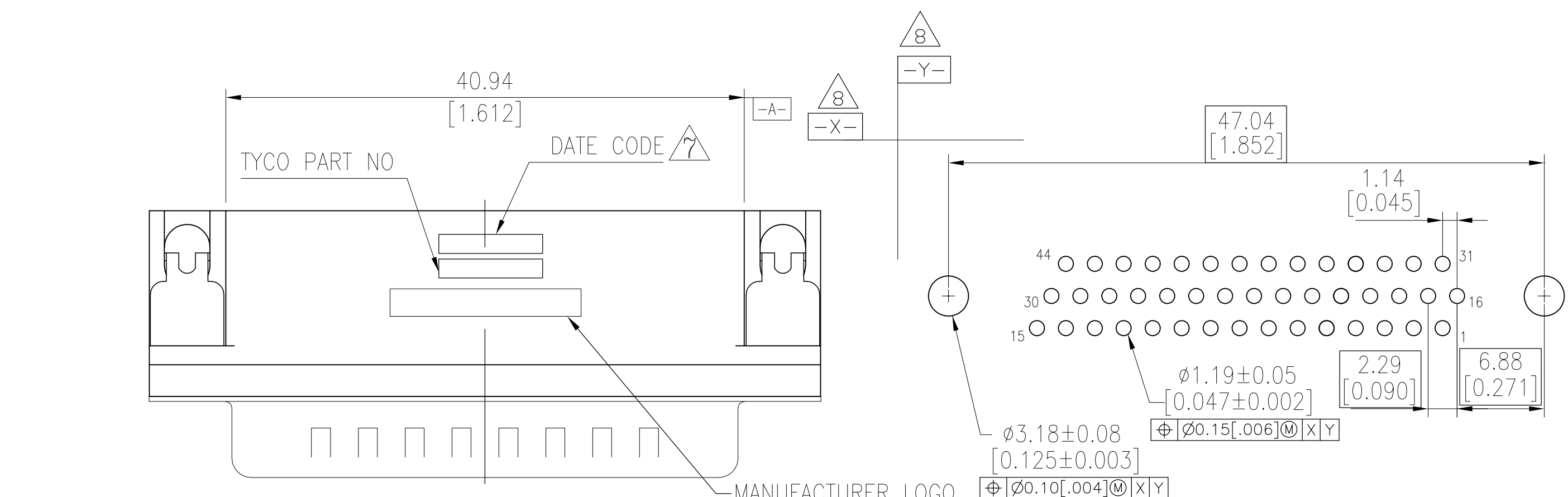
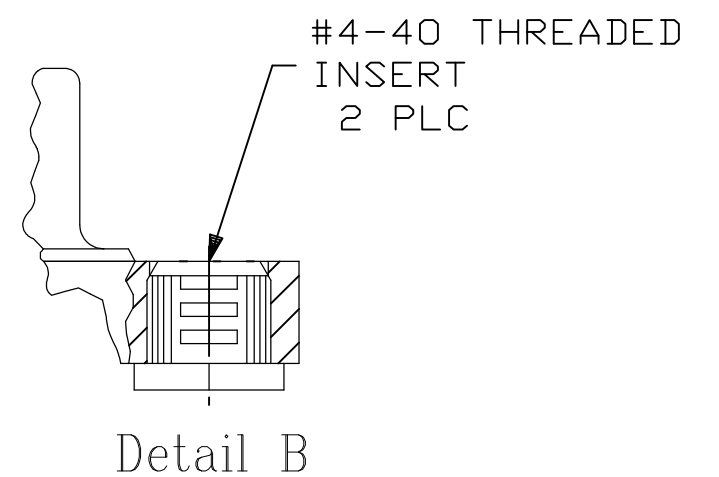
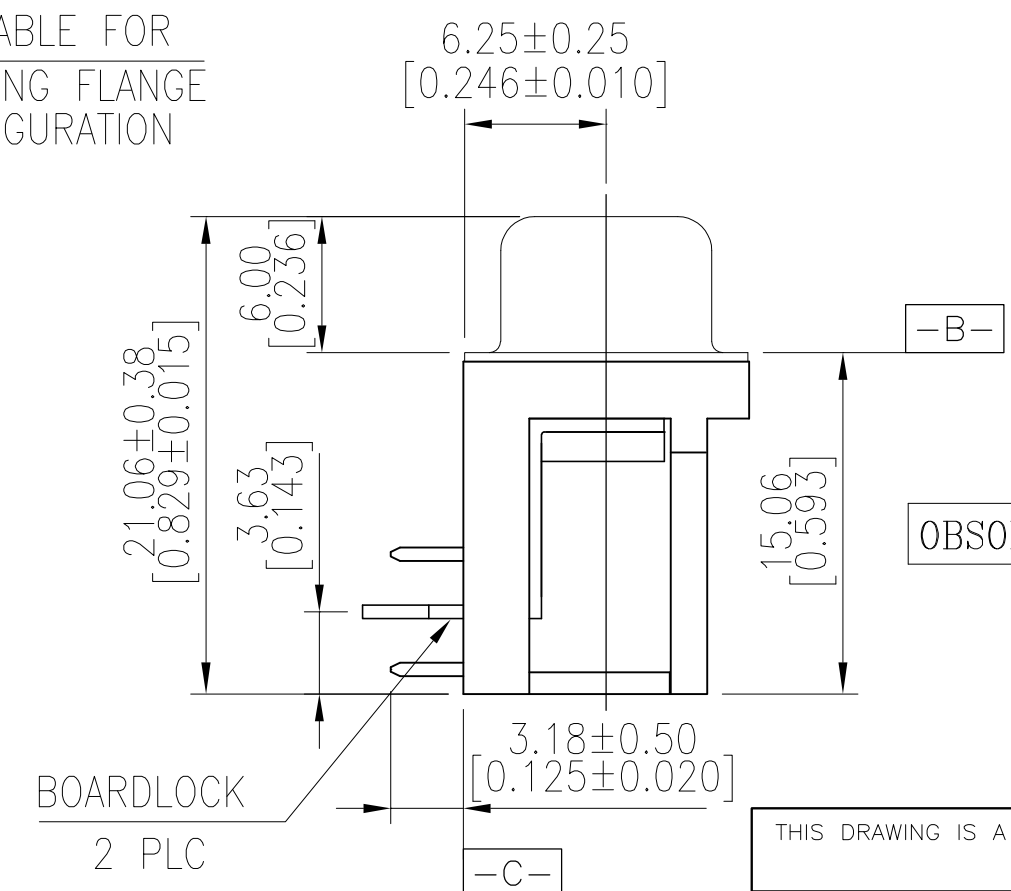
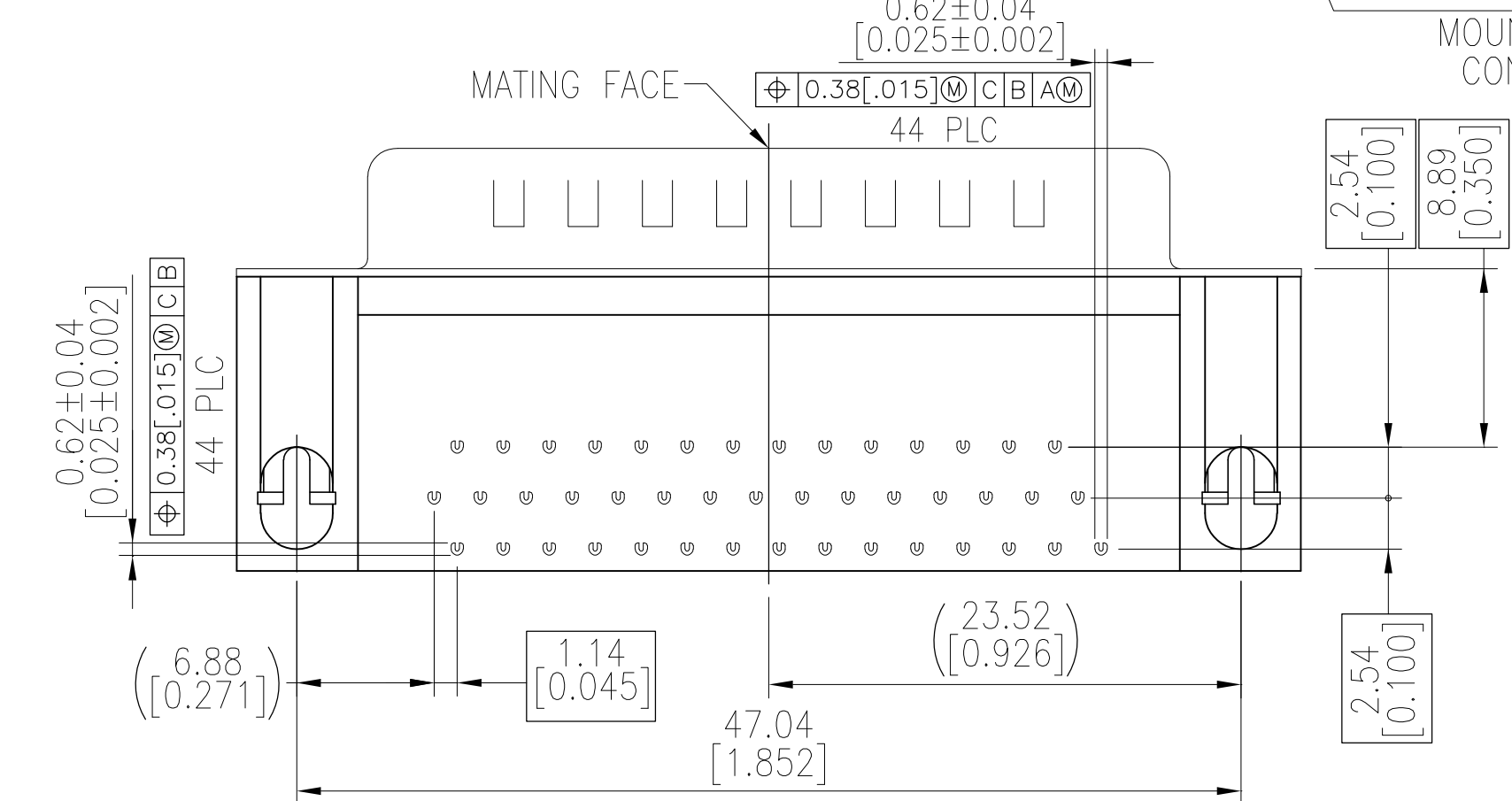
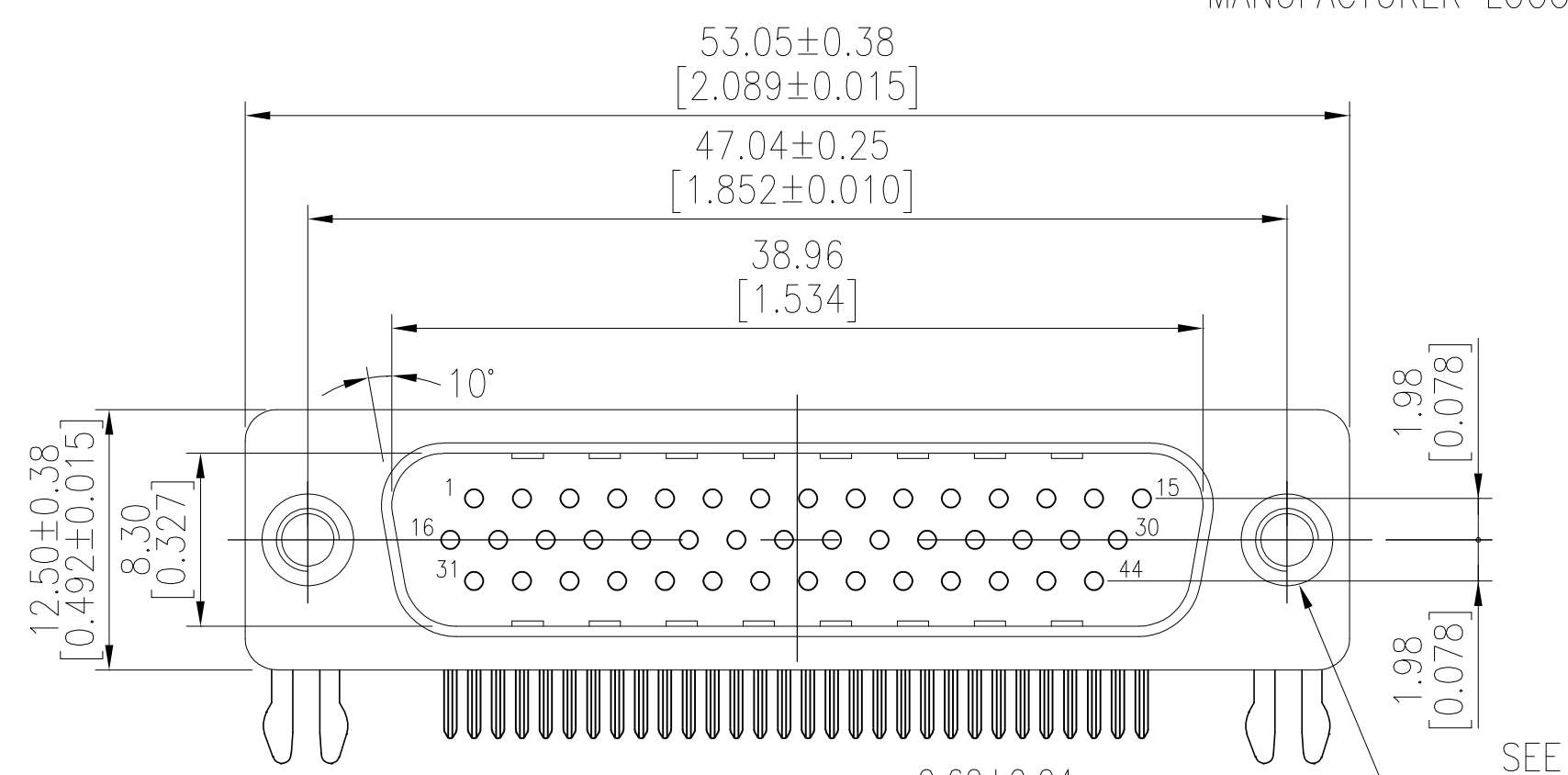


THIS DRAWING IS UNPUBLISHED. RELEASED FOR PUBLICATION
 © COPYRIGHT BY TYCO ELECTRONICS CORPORATION. ALL RIGHTS RESERVED.

LOC	DIST	REVISIONS					
GP	00	P	LTR	DESCRIPTION	DATE	DWN	APVD
		A		REVISED PER ECO-09-005756	15APR2009	ZMR	SLB



RECOMMENDED PCB LAYOUT



1. HOUSING MATERIAL: PBT, GLASS FILLED, BLACK, UL 94V-0 RATED.
2. CONTACT MATERIAL: PHOSPHOR BRONZE.
3. CONTACT FINISH: GOLD PLATE IN MATING AREA (SEE TABLE), 120µ" MIN TIN PLATE ON SOLDER TAIL, BOTH OVER 50µ" MIN NICKEL UNDERPLATE.
4. SHELL: STEEL, NICKEL PLATE.
5. BOARDLOCK: BRASS, 100µ" MIN TIN PLATE.
6. THREADED INSERTS: BRASS, NICKEL PLATE.

△7 FOUR DIGIT DATE CODE IN THIS FORMAT.
 Year 01 45 Manufacturing Week

△8 DATUMS -X- & -Y- TO BE ESTABLISHED BY CUSTOMER.

OBSOLETE	Tray	Detail B	Gold flash	5749771-3
	Tray	Detail B	15µ" MIN	5749771-2
	Tray	Detail B	30µ" MIN	5749771-1
Packaging	Mounting Flange Configuration	CONTACT MATING AREA FINISH	PART NUMBER	

THIS DRAWING IS A CONTROLLED DOCUMENT.		DWN B. MCMASTER 22SEP05	Tyco Electronics Corporation Harrisburg, PA 17105-3608	
DIMENSIONS: mm		CHK S. BOLASH 22SEP05	NAME AMPLIMITE HD-22 44 POS PLUG, RIGHT ANGLE	
TOLERANCES UNLESS OTHERWISE SPECIFIED:		APVD M. WALMSLEY 22SEP05	SIZE A2 CAGE CODE 00779 C=5749771	
0 PLC ± -		PRODUCT SPEC -	RESTRICTED TO -	
1 PLC ± 0.30		APPLICATION SPEC -	SCALE 3:1 SHEET 1 of 1 REV A	
2 PLC ± 0.20		WEIGHT -		
3 PLC ± 0.10		CUSTOMER DRAWING		
4 PLC ± -				
ANGLES ± 2°				
FINISH -				