

4

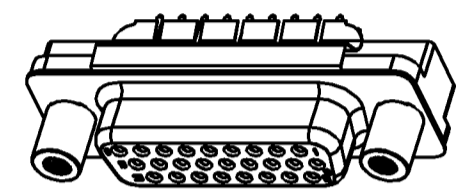
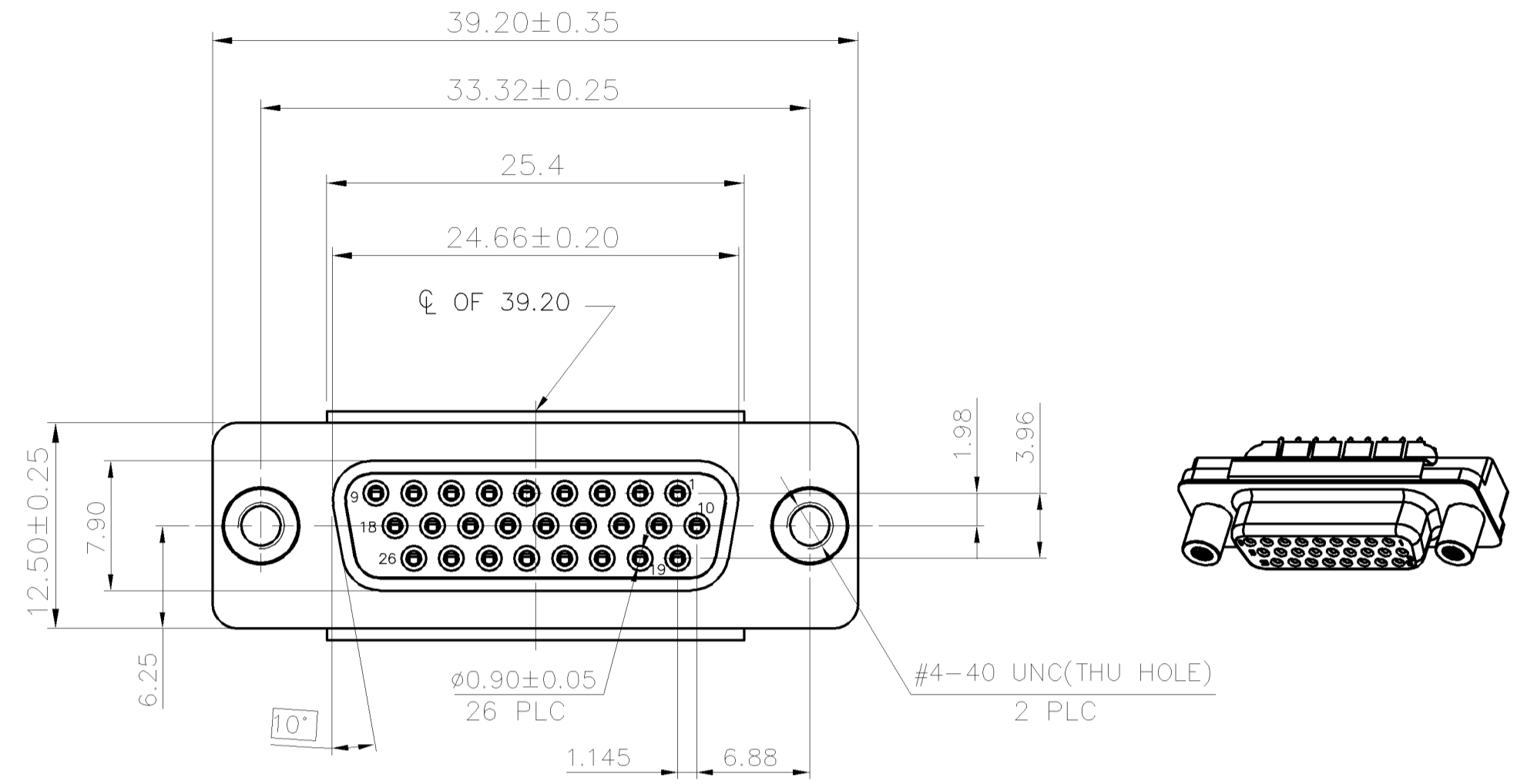
3

2

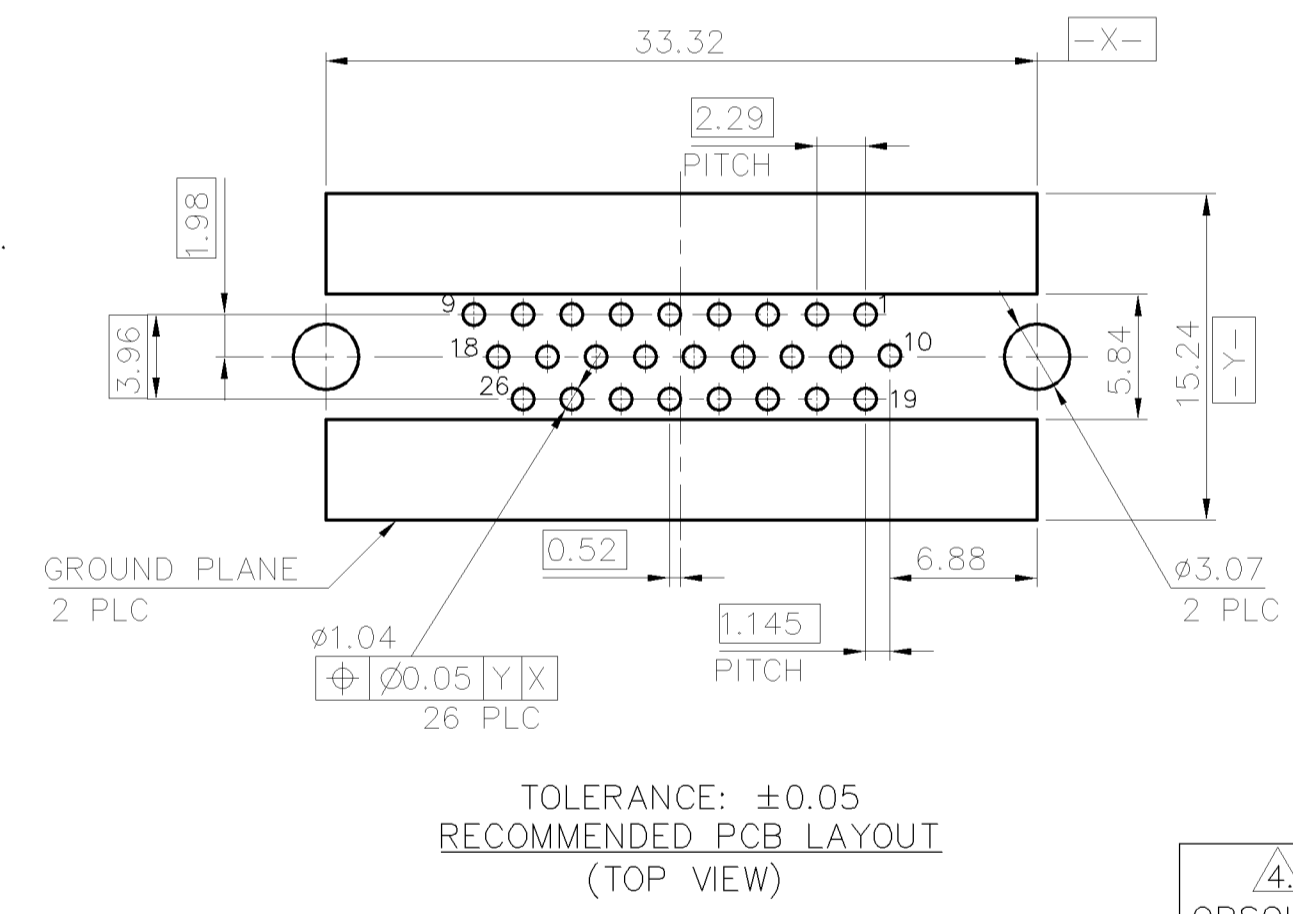
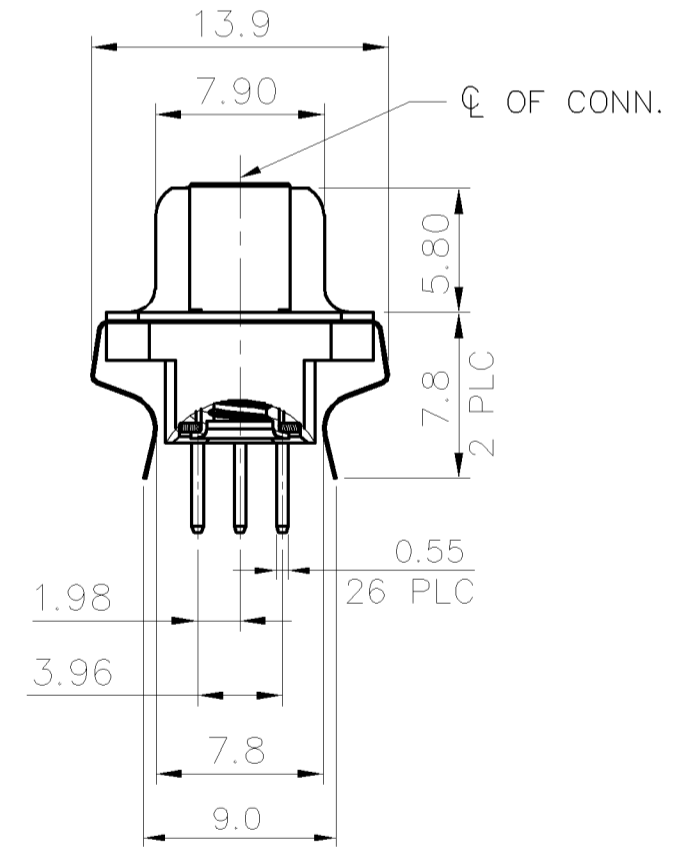
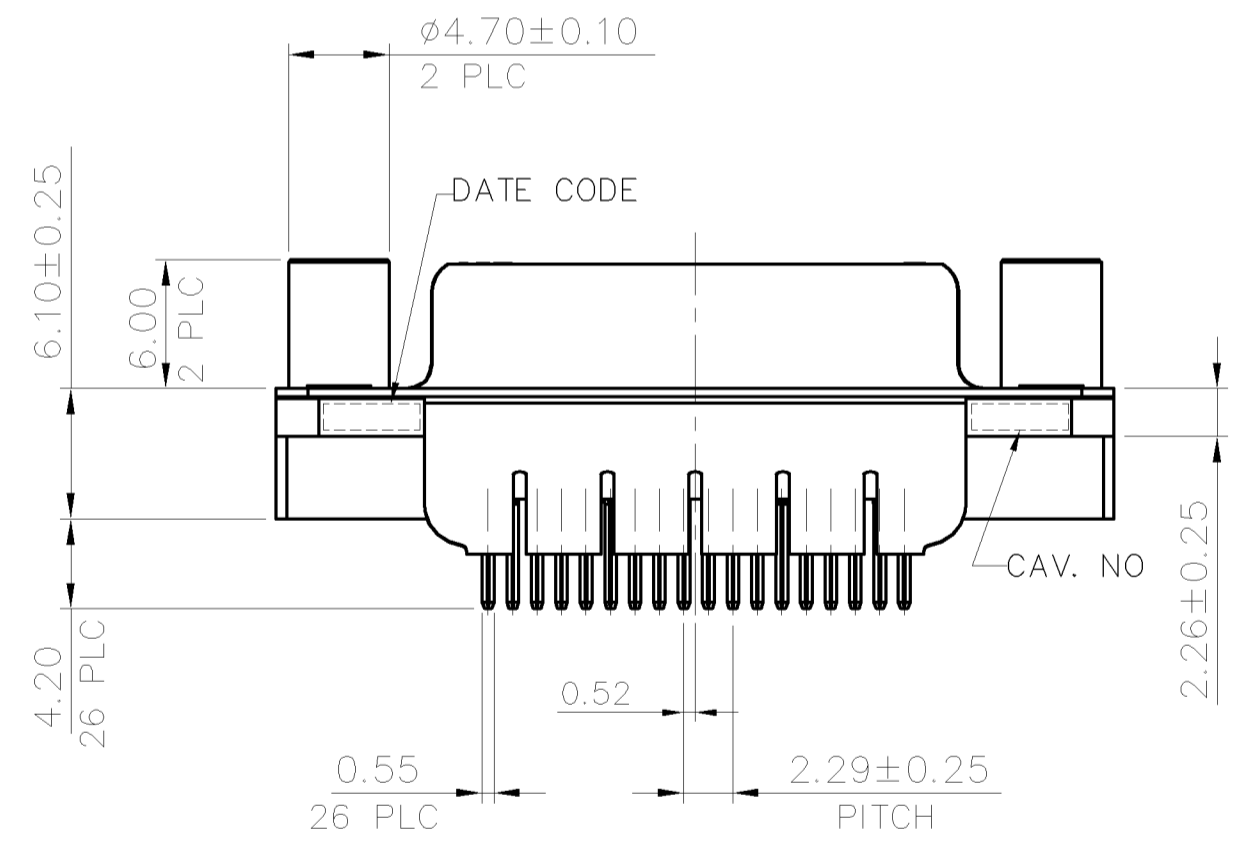
1

THIS DRAWING IS UNPUBLISHED. RELEASED FOR PUBLICATION
 © COPYRIGHT BY TYCO ELECTRONICS CORPORATION. ALL RIGHTS RESERVED.

LOC		DIST		REVISIONS			
P	LTR	DESCRIPTION		DATE	DWN	APVD	
	A	REVISED (ECR-10-013227)		02JUN10	JL	WK	



NOTE:
 1. MATERIAL:
 HOUSING: PBT WITH 30% GF POLYESTER, UL 94V-0, BLACK COLOR.
 CONTACTS: PHOSPHOR BRONZE.
 SHELL: STEEL.
 GROUND PLATE: STAINLESS STEEL SHEET.
 NUT: BRASS.
 WASHER: BRASS.
 2. FINISH:
 CONTACTS:
 GOLD PLATING IN CONTACT AREA (SEE TABLE),
 3.04um [120u"] MIN. MATTE-TIN ON SOLDER TAIL, WITH ENTIRE CONTACT UNDERPLATED
 1.27um [50u"] MIN. NICKEL.
 SHELL: 1.27um [50u"] MIN. NICKEL OVER ALL.
 NUT: 1.27um [50u"] MIN. NICKEL OVER ALL.
 WASHER: 1.27um [50u"] MIN. NICKEL OVER ALL.
 3. WAVE SOLDER CAPABLE TO 265°C PER TE TEST SPEC. 109-202, CONDITION B.
 4. OBSOLETE PARTS: OBSOLETE CIS STREAMLINING PER D.RENAUD/D.SINISI.
 5. DATE CODE: XX XX
 YEAR WEEK



OBSOLETE	GOLD FLASH	5786073-4
	15u"	5786073-3
	30u"	5786073-1
	FINISH	PART NO.

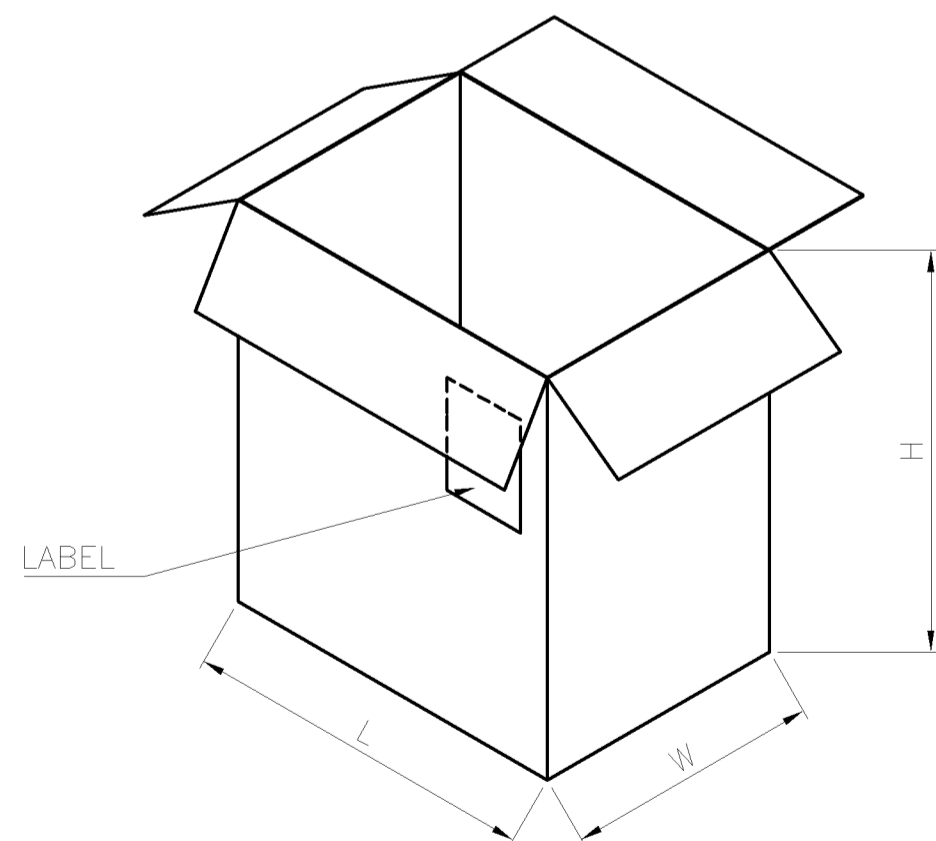
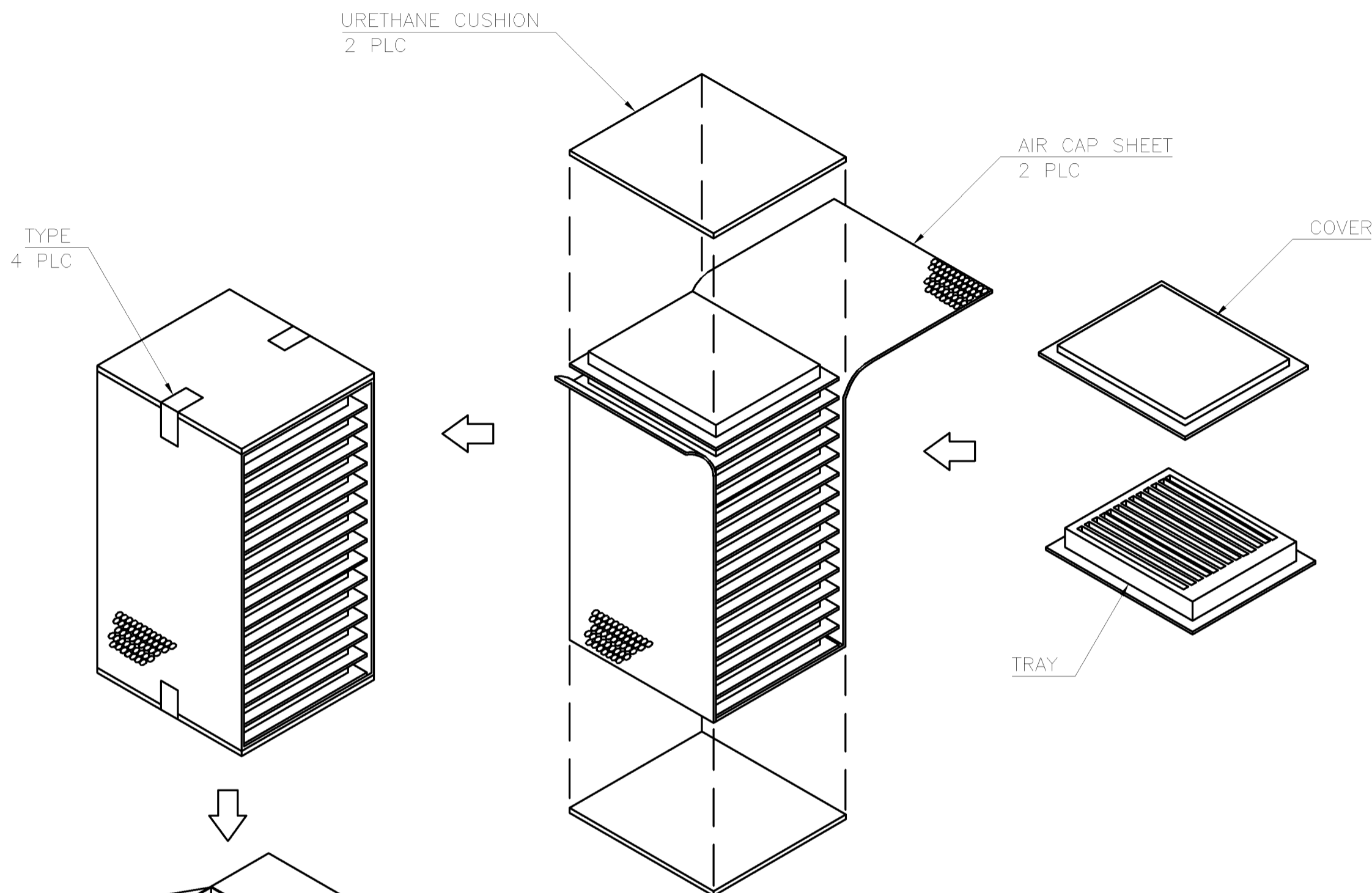
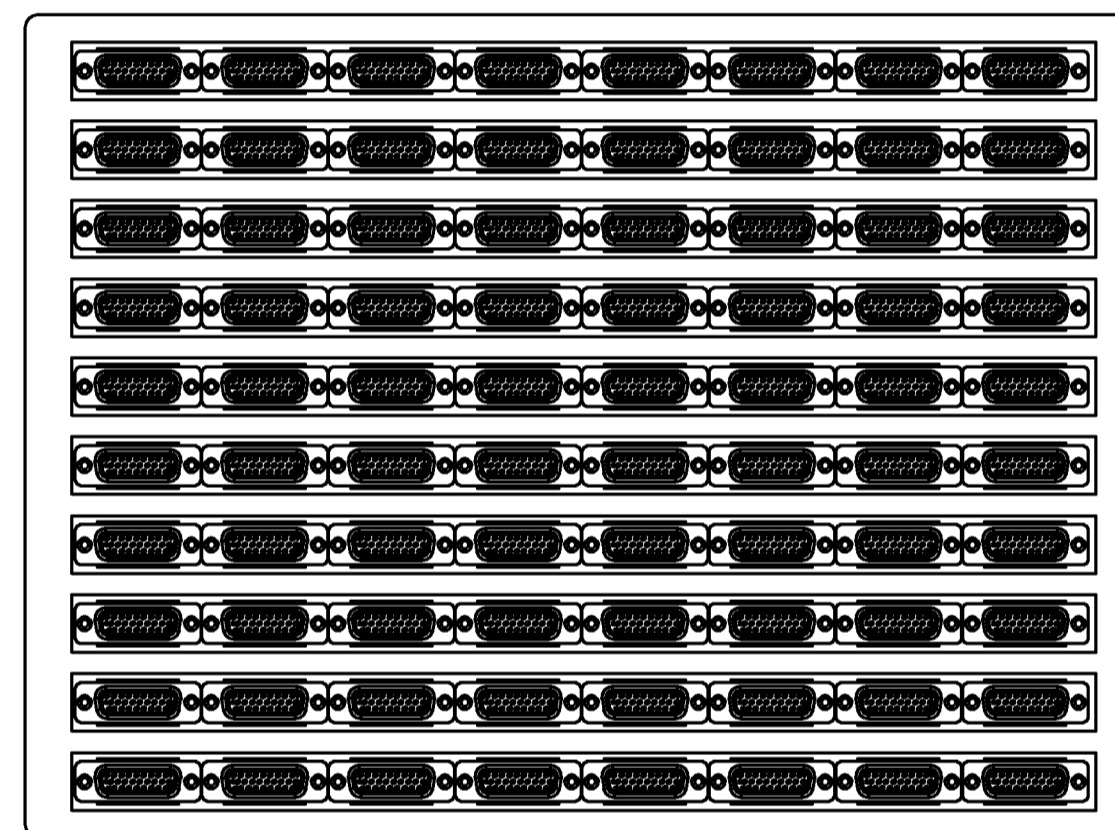
THIS DRAWING IS A CONTROLLED DOCUMENT.		DWN B. MCMASTER 22SEP2005	Tyco Electronics Corporation Taipei, Taiwan			
DIMENSIONS: MM		CHK S. BOLASH 22SEP2005				
TOLERANCES UNLESS OTHERWISE SPECIFIED:		APVD M. WALMSLEY 22SEP2005	NAME			
0 PLC ± - 1 PLC ± 0.3 2 PLC ± 0.2 3 PLC ± 0.1 4 PLC ± - ANGLES ± 2°		PRODUCT SPEC	D-SUB CONNECTOR, VERTICAL 26POS, FEMALE FRONT METAL SHELL			
MATERIAL SEE NOTE		FINISH SEE NOTE				
		APPLICATION SPEC	SIZE	CAGE CODE	DRAWING NO	RESTRICTED TO
SEE NOTE		WEIGHT 7.78 GRAMS	A3	00779	C=5786073	-
CUSTOMER DRAWING		SCALE -	SHEET 1 OF 2	REV A		

THIS DRAWING IS UNPUBLISHED. RELEASED FOR PUBLICATION
 © COPYRIGHT BY TYCO ELECTRONICS CORPORATION. ALL RIGHTS RESERVED.

LOC	DIST	REVISIONS			
P	LTR	DESCRIPTION	DATE	DWN	APVD
DW	—	SEE SHEET 1.			

NOTE:

- MATERIAL:
 TRAY: PVC.
 BOX: CORRUGATED FIBERBOARD.
- DIMENSION:
 TRAY: L=345, W=230, H=16.5
 SHIPPING CARTON: L=361, W=245, H=272



9.65Kg	8.30Kg	80	15	1200
GROSS WEIGHT	NET WEIGHT	PCS/TRAY	TRAYS/BOX	PCS/BOX

THIS DRAWING IS A CONTROLLED DOCUMENT.		DWN	Tyco Electronics Corporation Taipei, Taiwan														
DIMENSIONS: MM		CHK	NAME														
TOLERANCES UNLESS OTHERWISE SPECIFIED:		APVD	D-SUB CONNECTOR, VERTICAL 26POS, FEMALE FRONT METAL SHELL														
<table border="1"> <tr><td>0 PLC</td><td>± -</td></tr> <tr><td>1 PLC</td><td>± -</td></tr> <tr><td>2 PLC</td><td>± -</td></tr> <tr><td>3 PLC</td><td>± -</td></tr> <tr><td>4 PLC</td><td>± -</td></tr> <tr><td>ANGLES</td><td>± -</td></tr> </table>		0 PLC	± -	1 PLC	± -	2 PLC	± -	3 PLC	± -	4 PLC	± -	ANGLES	± -	PRODUCT SPEC	SIZE	CAGE CODE	DRAWING NO
0 PLC	± -																
1 PLC	± -																
2 PLC	± -																
3 PLC	± -																
4 PLC	± -																
ANGLES	± -																
MATERIAL: SEE NOTE		APPLICATION SPEC	A3	00779	C=5786073												
FINISH: SEE NOTE		WEIGHT	RESTRICTED TO														
CUSTOMER DRAWING			SCALE	SHEET	REV												
			—	2 OF 2	A												