



5910PL (150 x ϕ 172 x 25^L)



NMB-MAT

EMINEBEA.COM

General Specifications

Motor Protection:

Auto Restart/Polarity Protection

Insulation Resistance: 10M Ω or over with a DC500V Megger

Dielectric Withstand Voltage: AC 700V 1s

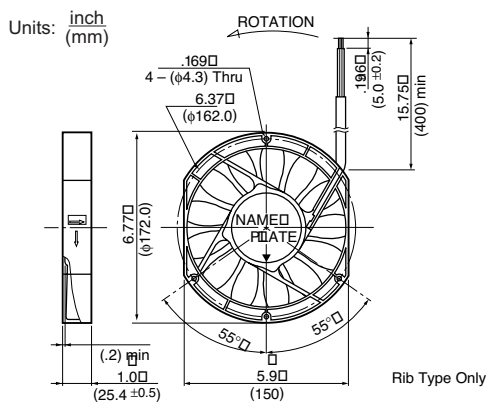
Allowable Ambient Temperature Range:

-10°C ~ +70°C (Operating)

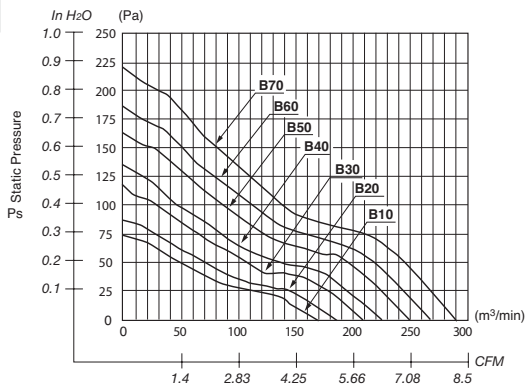
-40°C ~ +70°C (Storage)

(non-condensing environment)

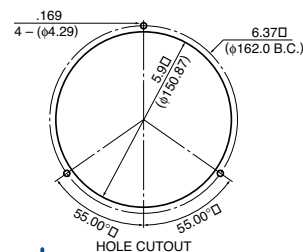
Outline



Characteristic Curves



Panel Cut-outs



Material

Casing : Aluminum (Black)

Impeller : Plastic (Black) 94V-0

Bearing : Ball Bearing

Lead Wire : UL1007, AWG22, +Red, -Black

Specifications

| MODEL | Product No. | Rated Voltage | Operating Voltage | Current | Input Power | Speed | Max. Air Flow | | Max. Static Pressure | | Noise | Mass |
|-----------------|-------------|---------------|-------------------|-------------------|-------------------|------------------------------------|-------------------|-------------------------------------|----------------------|--------------------|--------------------|-------|
| | | (V) | (V) | (A) ^{*1} | (W) ^{*1} | (min ⁻¹) ^{*1} | CFM ^{*1} | (m ³ /min) ^{*1} | in H ₂ O | (Pa) ^{*1} | (dB) ^{*1} | (g) |
| 5910PL-04W-B10- | L00 | 12 | 6.0 ~ 18.0 | 0.86 | 10.3 | 2500 | 170.0 | 4.81 | .30 | 76.0 | 54.1 | 510.3 |
| 5910PL-04W-B20- | L00 | 12 | 6.0 ~ 18.0 | 1.13 | 13.6 | 2850 | 190.0 | 5.38 | .37 | 93.2 | 57.0 | 510.3 |
| 5910PL-04W-B30- | L00 | 12 | 6.0 ~ 18.0 | 1.52 | 18.2 | 3150 | 210.0 | 5.95 | .46 | 115.2 | 58.9 | 510.3 |
| 5910PL-04W-B40- | L00 | 12 | 6.0 ~ 18.0 | 1.70 | 20.4 | 3350 | 230.0 | 6.52 | .56 | 141.0 | 61.5 | 510.3 |
| 5910PL-04W-B50- | L00 | 12 | 6.0 ~ 18.0 | 2.06 | 24.7 | 3500 | 250.0 | 7.08 | .65 | 163.7 | 62.5 | 510.3 |
| 5910PL-05W-B10- | L00 | 24 | 12.0 ~ 30.0 | 0.41 | 9.8 | 2500 | 170.0 | 4.81 | .30 | 76.0 | 54.1 | 510.3 |
| 5910PL-05W-B20- | L00 | 24 | 12.0 ~ 30.0 | 0.58 | 13.9 | 2850 | 190.0 | 5.38 | .37 | 93.2 | 57.0 | 510.3 |
| 5910PL-05W-B30- | L00 | 24 | 12.0 ~ 30.0 | 0.75 | 18.0 | 3150 | 210.0 | 5.95 | .46 | 115.2 | 58.9 | 510.3 |
| 5910PL-05W-B40- | L00 | 24 | 12.0 ~ 30.0 | 0.86 | 20.6 | 3350 | 230.0 | 6.52 | .56 | 141.0 | 61.5 | 510.3 |
| 5910PL-05W-B50- | L00 | 24 | 12.0 ~ 30.0 | 1.00 | 24.0 | 3500 | 250.0 | 7.08 | .65 | 163.7 | 62.5 | 510.3 |
| 5910PL-05W-B60- | L00 | 24 | 12.0 ~ 30.0 | 1.16 | 27.8 | 3750 | 270.0 | 7.65 | .74 | 187.0 | 62.9 | 510.3 |
| 5910PL-05W-B70- | L00 | 24 | 12.0 ~ 30.0 | 1.55 | 37.2 | 4100 | 290.0 | 8.20 | .89 | 233.0 | 65.4 | 510.3 |
| 5910PL-07W-B10- | L00 | 48 | 25.0 ~ 60.0 | 0.22 | 10.6 | 2500 | 170.0 | 4.81 | .30 | 76.0 | 54.1 | 510.3 |
| 5910PL-07W-B20- | L00 | 48 | 25.0 ~ 60.0 | 0.28 | 13.4 | 2850 | 190.0 | 5.38 | .37 | 93.2 | 57.0 | 510.3 |
| 5910PL-07W-B30- | L00 | 48 | 25.0 ~ 60.0 | 0.37 | 17.8 | 3150 | 210.0 | 5.95 | .46 | 115.2 | 58.9 | 510.3 |
| 5910PL-07W-B40- | L00 | 48 | 25.0 ~ 60.0 | 0.45 | 21.6 | 3350 | 230.0 | 6.52 | .56 | 141.0 | 61.5 | 510.3 |
| 5910PL-07W-B50- | L00 | 48 | 25.0 ~ 60.0 | 0.51 | 24.5 | 3500 | 250.0 | 7.08 | .65 | 163.7 | 62.5 | 510.3 |
| 5910PL-07W-B60- | L00 | 48 | 25.0 ~ 60.0 | 0.58 | 27.8 | 3750 | 270.0 | 7.65 | .74 | 187.0 | 62.9 | 510.3 |
| 5910PL-07W-B70- | L00 | 48 | 25.0 ~ 60.0 | 0.74 | 35.5 | 4100 | 290.0 | 8.20 | .89 | 233.0 | 65.4 | 510.3 |

Rotation: Counterclockwise

Airflow Outlet: Air Out Over Struts

*1: Average Values in Free Air