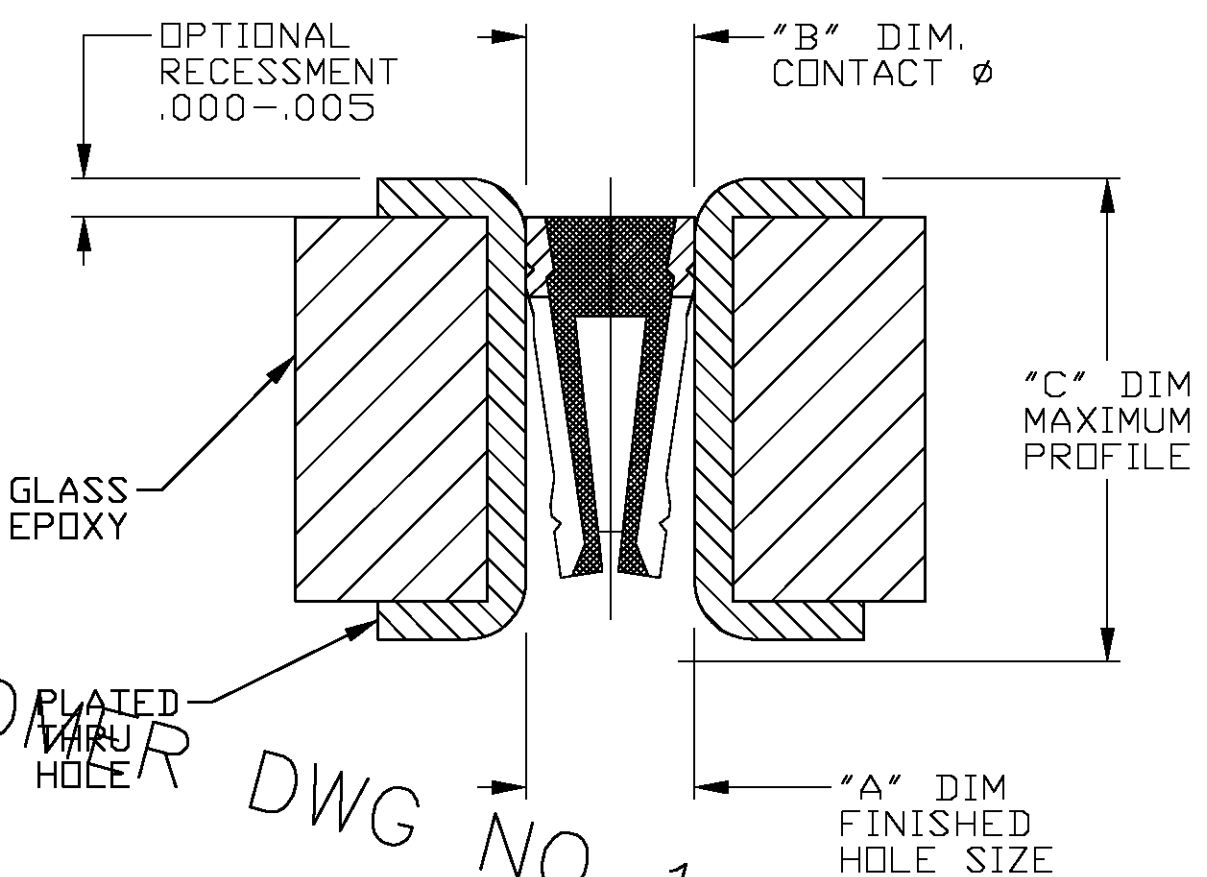


THIS DRAWING IS UNPUBLISHED. RELEASED FOR PUBLICATION
 © COPYRIGHT BY TYCO ELECTRONICS CORPORATION. ALL RIGHTS RESERVED.

LOC	DIST	REVISIONS					
AD	00	P	LTR	DESCRIPTION	DATE	DWN	APVD
		A		OG3C-0215-03	01MAY03	TK	KW

CONVERSION CHART		CONVERSION CHART	
INCH	MM	INCH	MM
.000	0,00	.057	1,45
.005	0,13		
.0003	0,007	.0625	1,587
.0005	0,012		
.0005	0,012	.100	2,54
.001	0,02	.140	3,55
.002	0,05	.300	7,62
.010	0,25	.400	10,16
.020	0,51	.600	15,24
.030	0,76		



FEATURES:

- QUALIFIED TO MIL-S-83505/6 (M8134 SERIES ONLY).
- ZERO SOCKET PROFILE.
- PRECISION-MACHINED, TAPERED-ENTRY, FOUR FINGER CONTACT. RETAINS MINIMUM COMPONENT LEAD LENGTHS. MAXIMUM HEAT DISSIPATION. SOLDERLESS, GAS-TIGHT, PRESS-FIT INSERTION. INSTALLATION RATE-30,000 CONTACTS MINIMUM (LOADED AND PRESSED) PER HOUR. REMOVES ARTWORK DESIGN RESTRICTIONS.

HOLTITE® CONTACT SOCKET REEL:

- AVAILABLE IN ALL STANDARD DIP SOCKET PATTERNS MOUNTED ON DISPOSABLE MYLAR CARRIER.
- CONTACTS PACKAGED 5,000 PIECES PER REEL.
- EASILY INSTALLED WITH HAND TOOL IN AUGAT PROTOTYPING KIT (399-HK SERIES) OR WITH BENCHTOP PRESSES.
- CONTACT AVAILABLE IN UNIVERSAL .100" APART X .300", .400" AND .600" WIDE ROWS FOR CUSTOM APPLICATIONS (CAN BE CUT TO DESIRED PATTERN SIZE).

NOTES:

1. INTERPRET DRAWING PER ASME Y14.5M-1994.

PART NUMBERS/STANDARD CONFIGURATIONS:

PART NUMBER	CONTACT MATERIAL & FINISH	RECOMMENDED LEAD SIZE	RECOMMENDED PRIMARY DRILL SIZE	A DIM. FINISHED PLATED-THRU HOLE SIZE	B DIM CONTACT DIAMETER	C DIM MAXIMUM PROFILE	BOARD THICKNESS	PLATED-THRU HOLE FINISH
8134-HC-6P2	CU ALLOY,AU PLATE OVER NI	ROUND LEAD Ø.020-Ø.030	.0635	.058 ±.002	.0625 ±.0005	.140 UNRECESSED	.030 MIN.	.0003-.0005 ELECTRO-DEPOSITED TIN/LEAD OVER .001 MIN. THICKNESS ELECTRO-DEPOSITED COPPER PLATE.
8134-HC-6P3	CU ALLOY,SN PLATE OVER CU							

THIS DRAWING IS A CONTROLLED DOCUMENT.		DWN	4-25-77	Tyco Electronics Corporation Harrisburg, Pa			
DIMENSIONS: INCHES		CHK	5-10-77	NAME			
		TOLERANCES UNLESS OTHERWISE SPECIFIED:		PRODUCT SPEC			
		0 PLC	± -	APPLICATION SPEC			
MATERIAL		1 PLC	± -	SIZE	CAGE CODE	DRAWING NO	RESTRICTED TO
		2 PLC	± -	A3 00779 C-6-1437514-8			
		3 PLC	± -	CUSTOMER DRAWING			
		4 PLC	± -	SCALE	SHEET	OF	REV
		ANGLES	± -	NTS 1 OF 1 A			
		FINISH	-				

CUSTOMER DWG NO 147699 FOR HOLTITE PRODUCTS