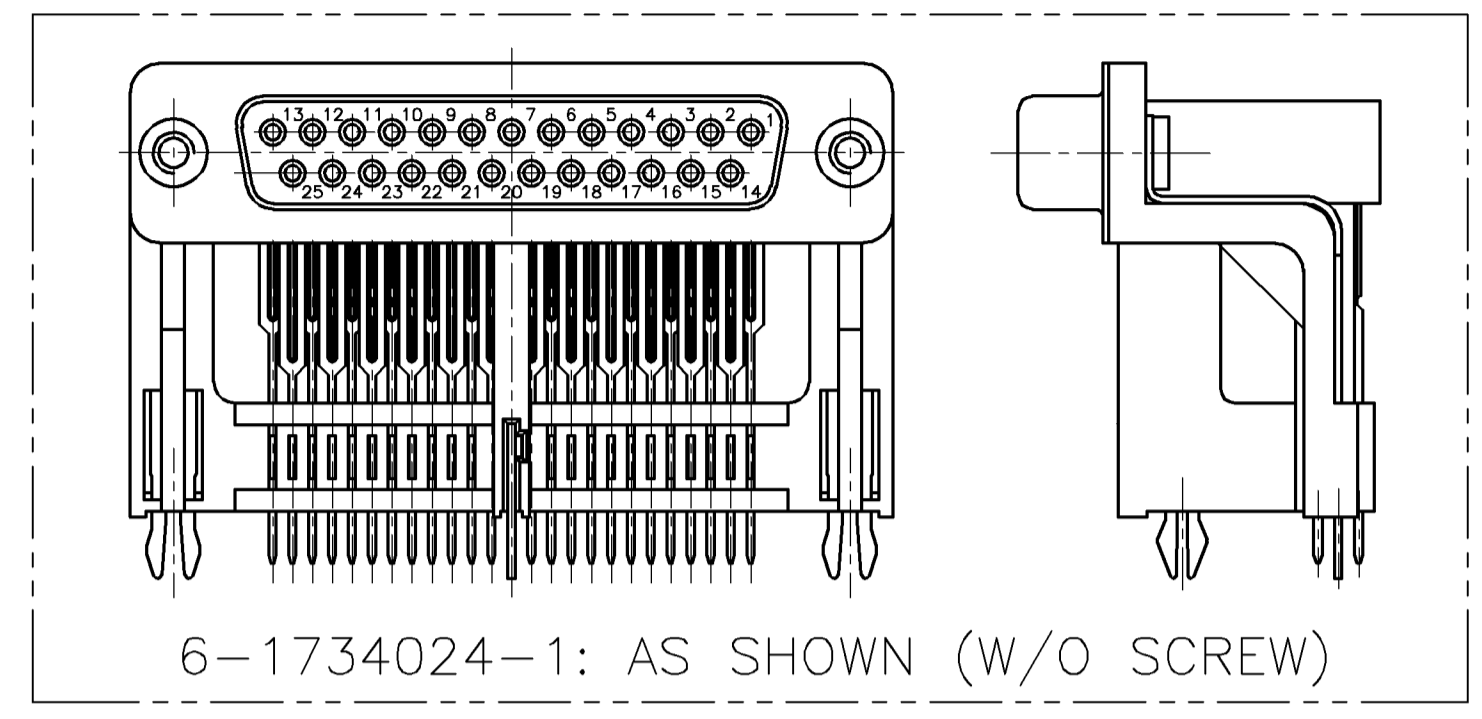
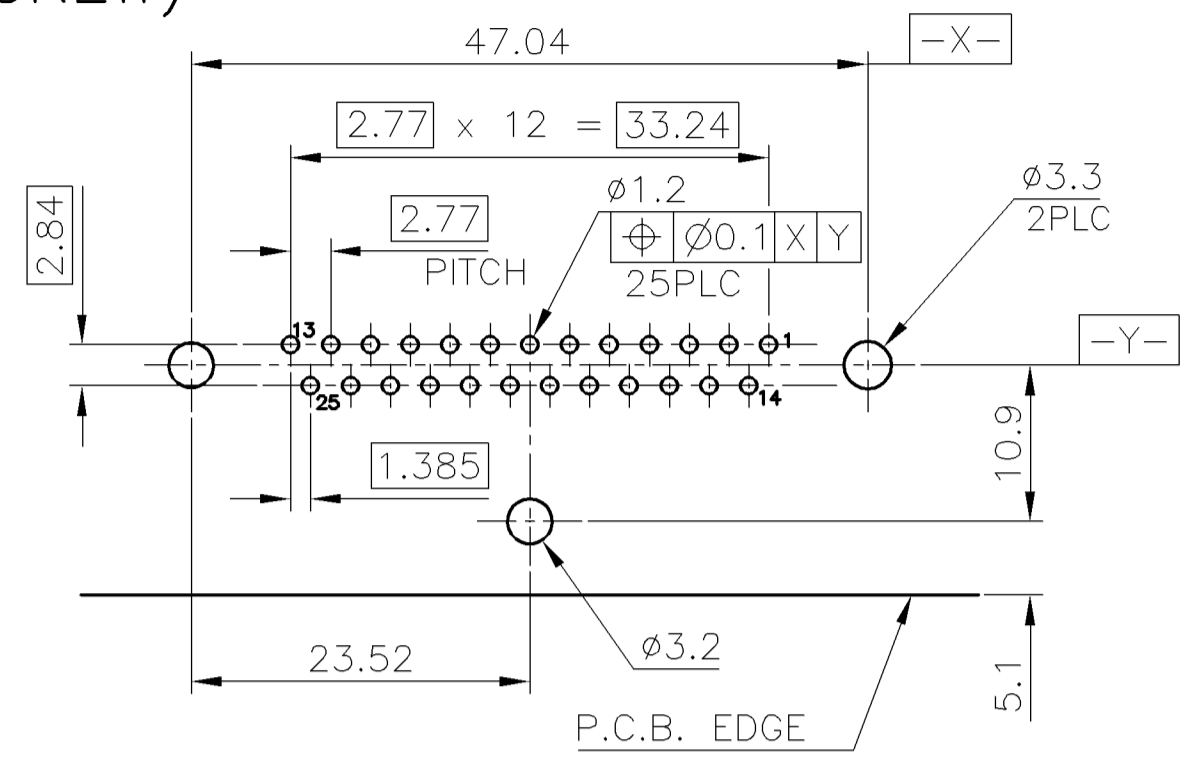
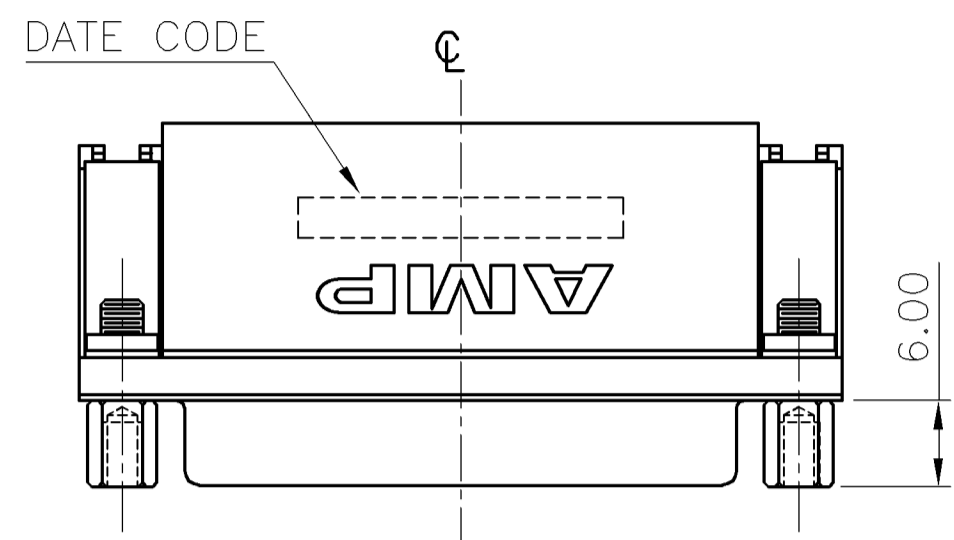


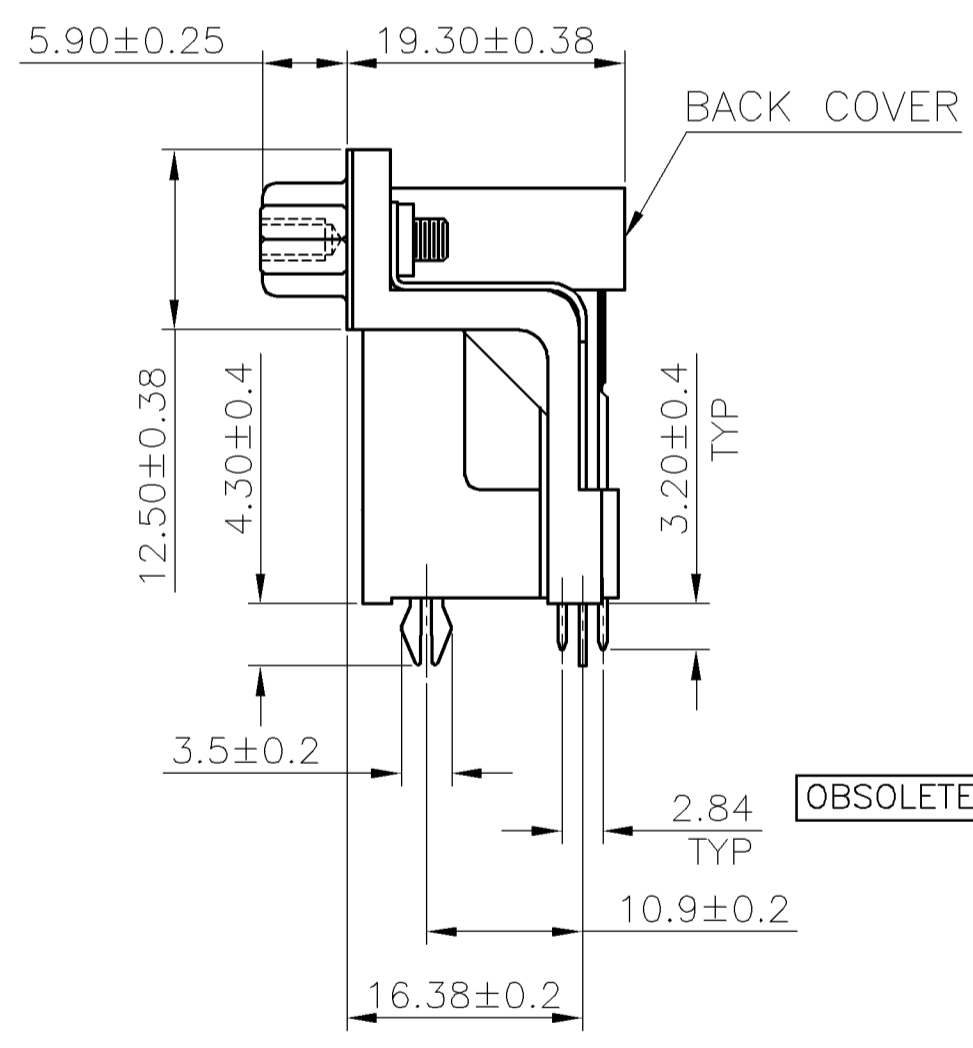
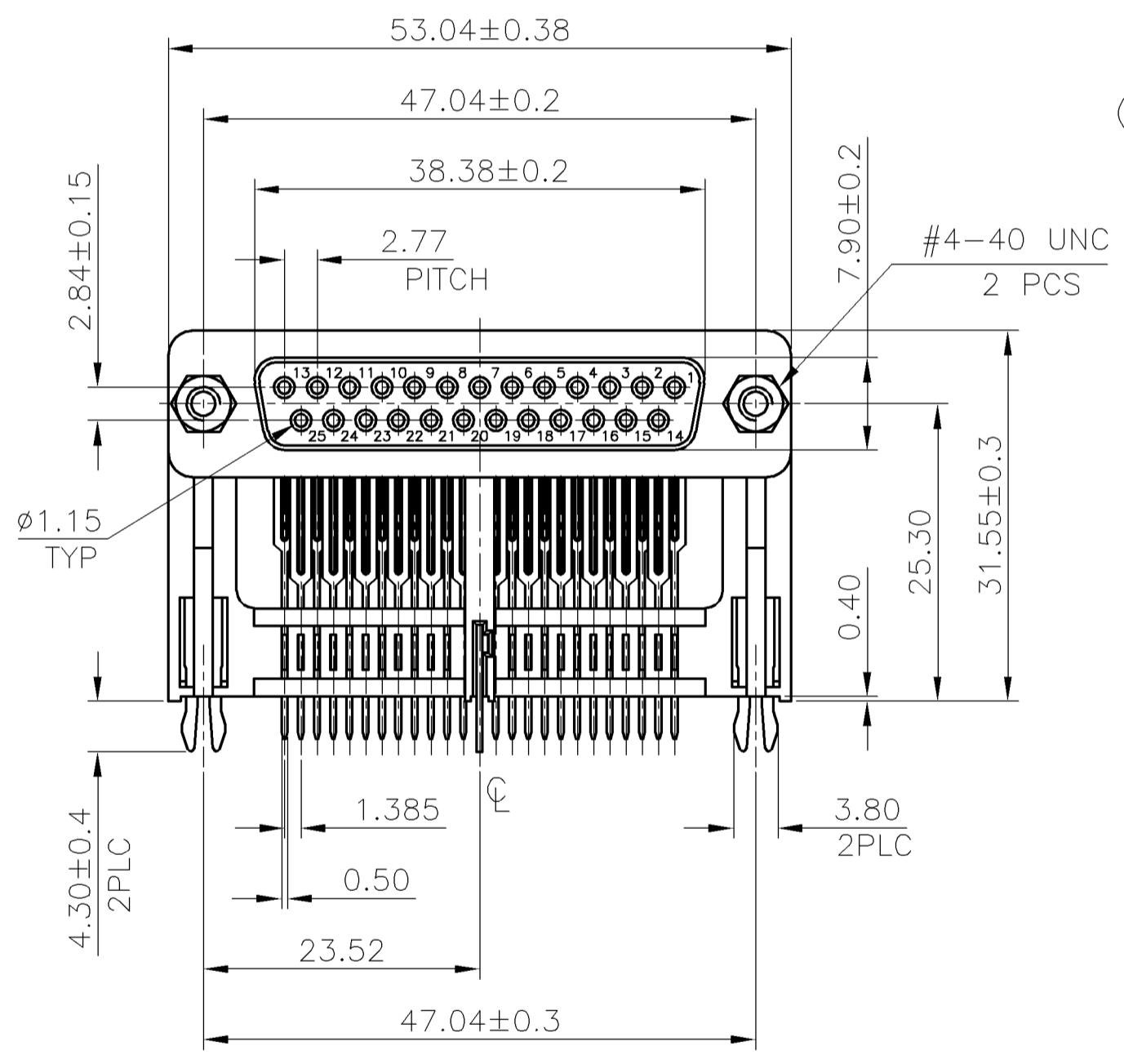
THIS DRAWING IS UNPUBLISHED. RELEASED FOR PUBLICATION AUG ,2006.
 © COPYRIGHT - BY TYCO ELECTRONICS CORPORATION. ALL RIGHTS RESERVED.

LOC		DIST		REVISIONS			
DW		P	LTR	DESCRIPTION	DATE	DWN	APVD
		D		REVISED(ECR-09-019793, ECR-09-019804)	25SEP'09	E.L.	W.K.

6-1734024-2: AS SHOWN (WITH SCREW)



RECOMMEND P.C.B. LAYOUT
(TOP VIEW, THICKNESS:1.6, TOLERANCE:±0.05)



- NOTES:
- MATERIAL:
 - HOUSING/BACK COVER: THERMOPLASTIC, UL94V-0; COLOR: SEE TABLE.
 - CONTACT: SEE TABLE
 - SHELL: SPCC
 - BOARDLOCKS: STEEL
 - SCREWLOCKS: BRASS
 - SCREW: BRASS (OPTION)
 - FINISH:
 - CONTACT:
 - GOLD PLATING(SEE TABLE) ON CONTACT AREA.
 - 2.54um[100u"] MIN. MATTE-TIN PALTING ON SOLDER TAIL AREA.
 - 1.27um[50u"] MIN. NICKEL UNDERPLATING OVERALL.
 - SHELL: 1.27um[50u"] MIN. NICKEL PLATING.
 - BOARDLOCK:
 - 2.54um[100u"] MIN. MATTE TIN PLATING.
 - 1.27um[50u"] MIN. NICKEL UNDERPLATING OVERALL.
 - SCREWLOCK : 1.27um[50u"] MIN. NICKEL PLATING.
 - SCREW: 1.27um[50u"] MIN. NICKEL PLATING ON ENTIRE.
 - 1.27um[50u"] MIN. Cu UNDERPLATING OVERALL.
 - RECOMMENDED P.C.B THICKNESS : 1.2~1.8mm
 - WAVE SOLDER CAPABLE TO 265°C PER TE SPEC. 109-202, CONDITION B.

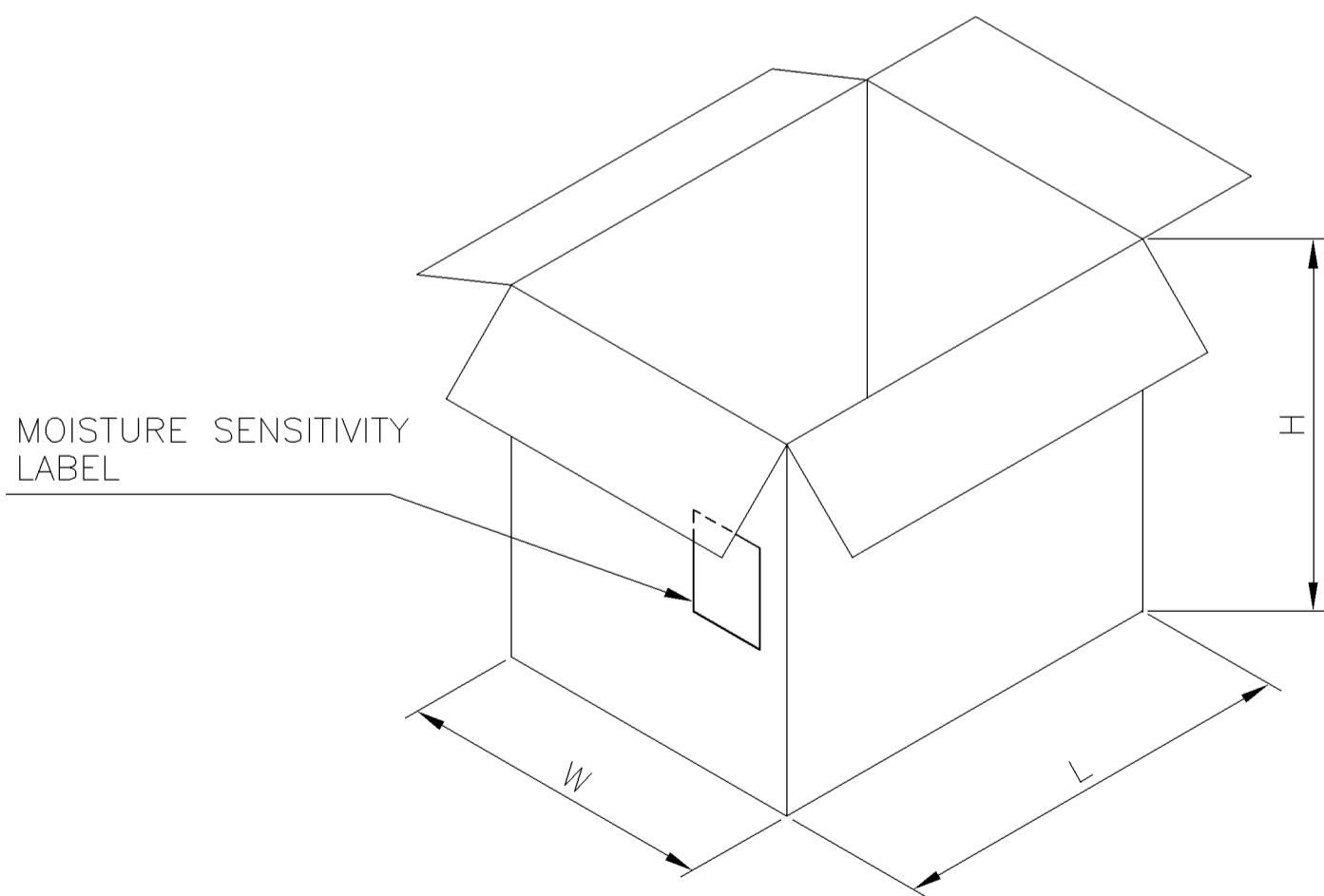
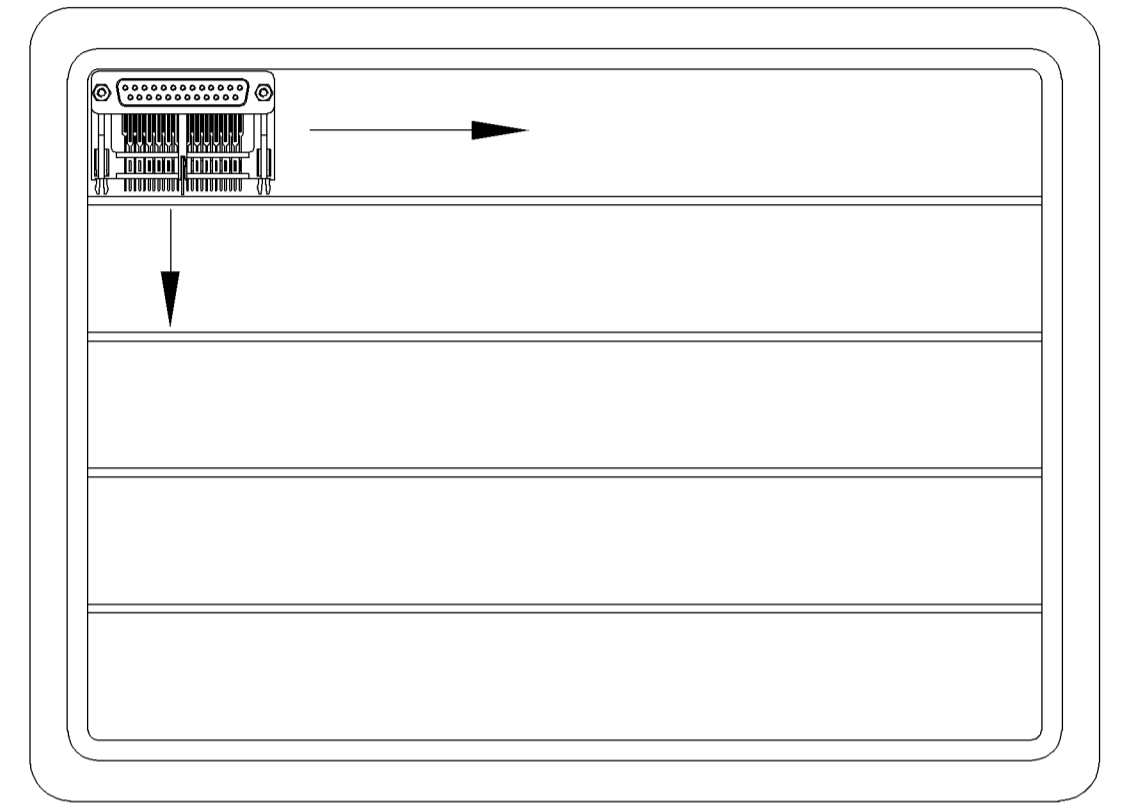
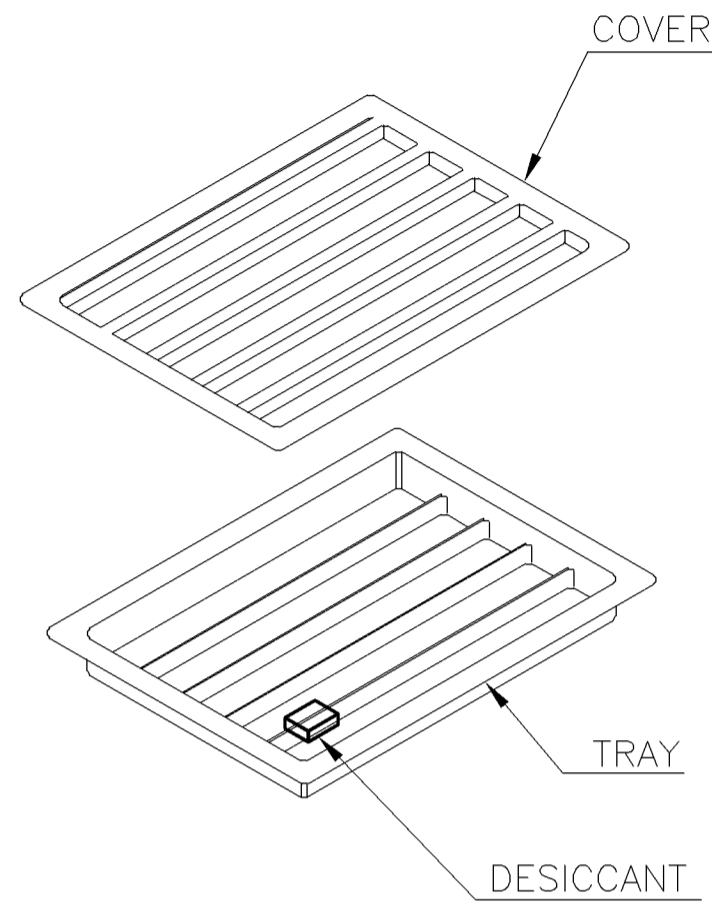
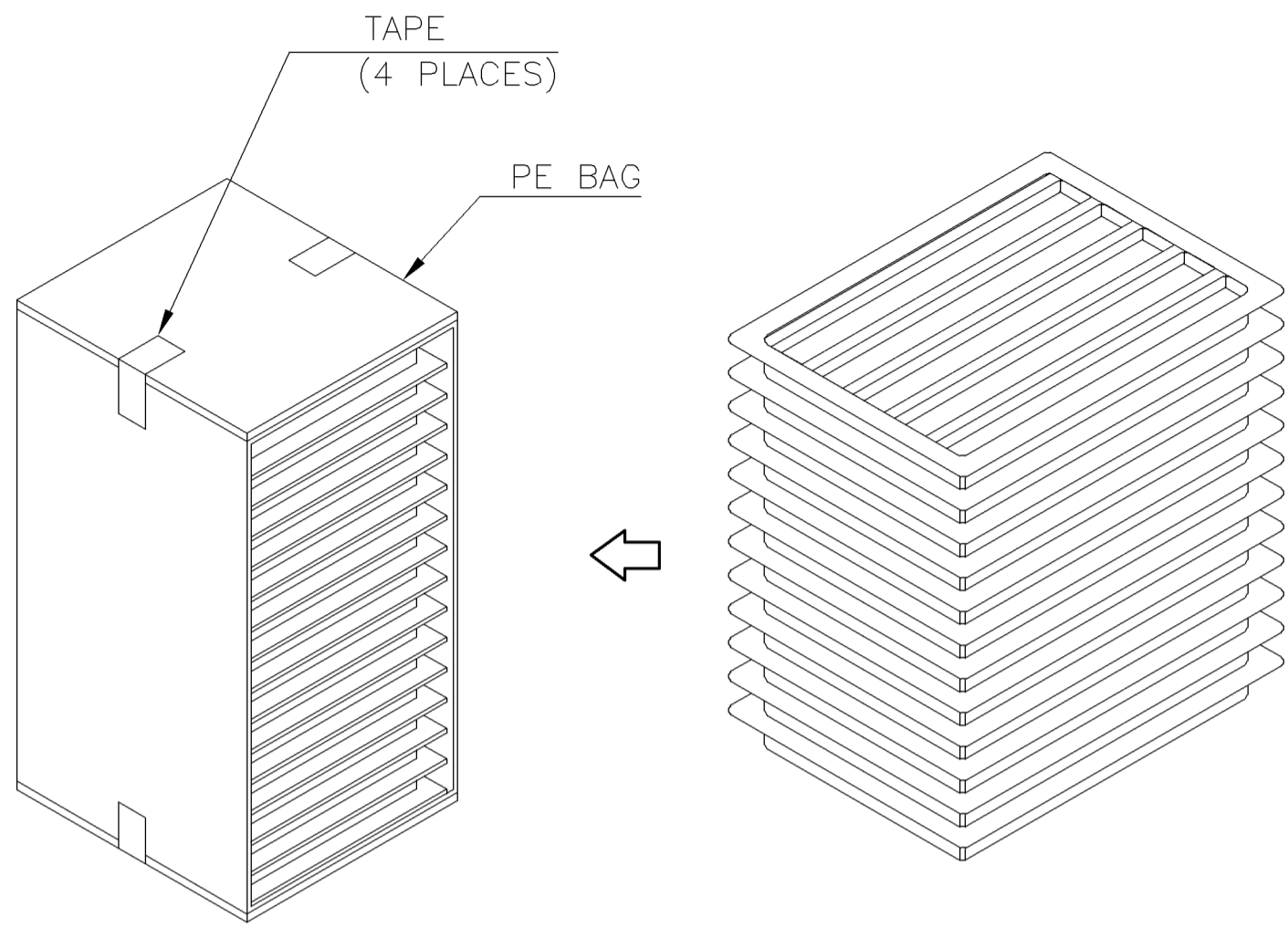
OBSOLETE	21	0.254um[10u"]	W/O	W/	PHOSPHOR BRONZ	BURGUNDY/235C	2-1734024-3
	21	0.508um[20u"]	W/	W/	BRASS	BURGUNDY/235C	7-1734024-2
	21	0.254um[10u"]	W/	W/	BRASS	BLACK	6-1734024-5
	19	0.254um[10u"]	W/	W/O	BRASS	BLACK	6-1734024-4
	21	0.254um[10u"]	W/	W/	BRASS	BURGUNDY/235C	6-1734024-2
	19	0.254um[10u"]	W/	W/O	BRASS	BURGUNDY/235C	6-1734024-1
NET WEIGHT(g)		GOLD PLATING (MIN.)	BACK COVER	SCREW	CONTACT MATERIAL	HSG/BACK COVER COLOR	PART NUMBER

THIS DRAWING IS A CONTROLLED DOCUMENT.

DIMENSIONS: MM	TOLERANCES UNLESS OTHERWISE SPECIFIED:	DWN E. LIU 25SEP2009	Tyco Electronics Corporation Taipei, Taiwan	
	0 PLC ± -	CHK S. CHIEN 25SEP2009	NAME	
	1 PLC ± 0.3	APVD W. KODAMA 25SEP2009	D-SUB CONNECTOR RECEPTACLE ASSEMBLY, 25P HIGH-RISE, AMPLIMITE	
	2 PLC ± 0.2	PRODUCT SPEC	108-57784	
	3 PLC ± -	APPLICATION SPEC	SIZE CAGE CODE DRAWING NO RESTRICTED TO	
	4 PLC ± -		A3 00779 C-1734024	
	ANGLES ± 3'		SCALE SHEET 1 OF 2 REV D	
MATERIAL SEE NOTE	FINISH SEE NOTE	WEIGHT SEE TABLE	CUSTOMER DRAWING	

THIS DRAWING IS UNPUBLISHED. RELEASED FOR PUBLICATION AUG 2006 .
 © COPYRIGHT - BY TYCO ELECTRONICS CORPORATION. ALL RIGHTS RESERVED.

LOC DW	DIST /	REVISIONS			
P	LTR	DESCRIPTION	DATE	DWN	APVD
		SEE SHEET 1.			



NOTES :

- MATERIAL :
 - TRAY & COVER : PVC
 - SHIPPING CARTON : CORRUGATED FIBERBOARD
- DIMENSION :
 - TRAY : L=310, W=230, H=14.5
 - SHIPPING CARTON : L=325, W=252, H=230
- QUANTITY :
 - PRIMARY PACKING: 25 PCS/TRAY
 - SECUNARY PACKING: 8 TRAY/CARTON(200PCS)
- WEIGHT : SEE TABLE

4.79	3.90	W/O
5.16	4.27	W/
NET WEIGHT(Kg)	NET WEIGHT(Kg)	SCREW

THIS DRAWING IS A CONTROLLED DOCUMENT.		DWN	Tyco Electronics Corporation Taipei, Taiwan		
DIMENSIONS: MM		CHK	NAME		
TOLERANCES UNLESS OTHERWISE SPECIFIED: 0 PLC ± - 1 PLC ± - 2 PLC ± - 3 PLC ± - 4 PLC ± - ANGLES ± -		APVD	D-SUB CONNECTOR RECEPTACLE ASSEMBLY, 25P HIGH-RISE, AMPLIMITE		
MATERIAL		PRODUCT SPEC	SIZE	CAGE CODE	DRAWING NO
FINISH		APPLICATION SPEC	A3	00779	C=1734024
		WEIGHT	RESTRICTED TO		
		CUSTOMER DRAWING	SCALE	SHEET	REV
			-	2 OF 2	D