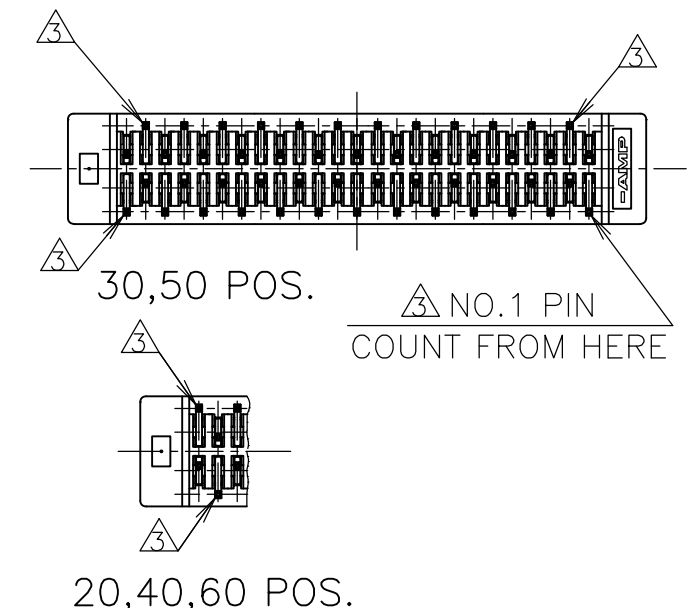
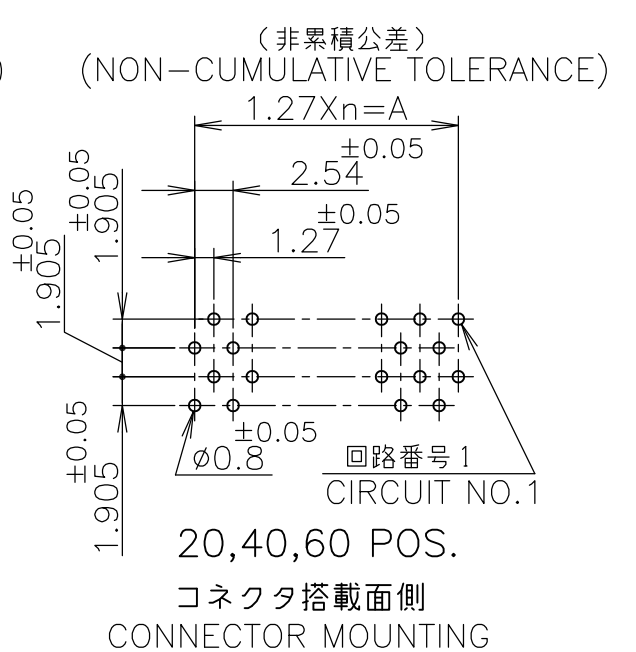
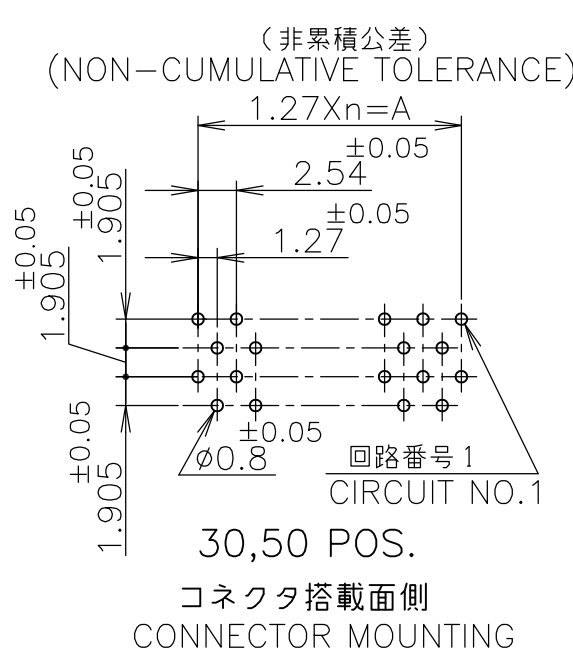
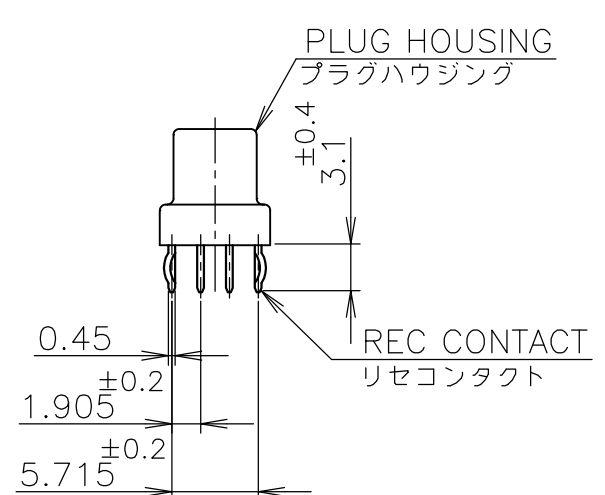
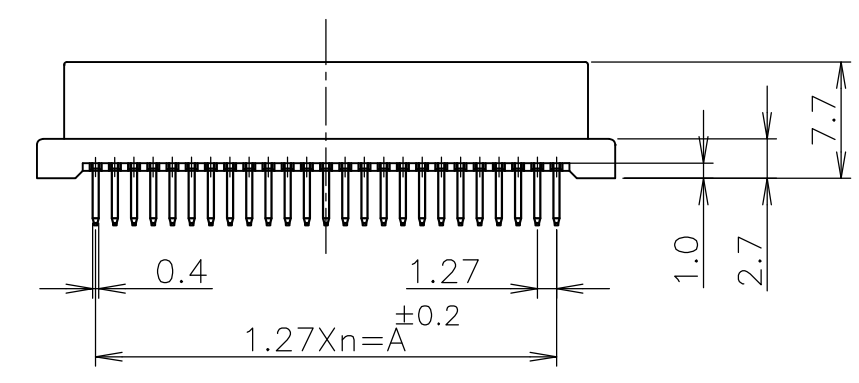
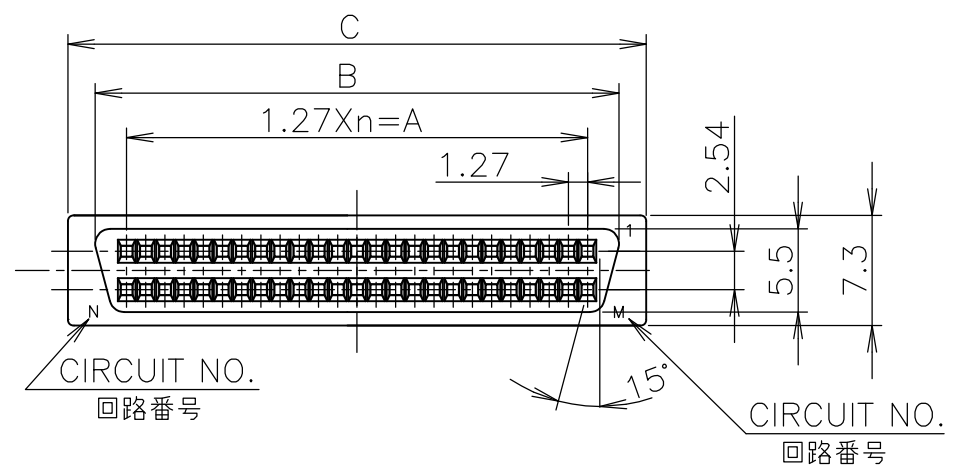


THIS DRAWING IS UNPUBLISHED. RELEASED FOR PUBLICATION MAY, 1994.
 © COPYRIGHT 1994 BY TYCO ELECTRONICS CORPORATION. ALL RIGHTS RESERVED.

LOC	DIST	REVISIONS					
		P	LTR	DESCRIPTION	DATE	DWN	APVD
J		C1		REVISED ECO-09-024717	09NOV09	KK	AEG



- 1 MATERIAL & FINISH
 PLUG HOUSING: THERMOPLASTIC (UL94-V0) COLOR: BLACK.
 REC CONTACT: COPPER ALLOY.
 FINISH: OVER NICKEL, MATING END: 0.2 μm OR 0.76 μm MIN. GOLD, TERMINATION END: TIN. AND SEALING TREATMENT ALL OVER.
- 2 P.W.B. LAYOUT AND P.W.B. TREATMENT (REF.).
 P.W.B. SURFACE ARE TREATED WITH SOLDER RESIST.
 BOARD THICKNESS: 1.6mm.
- 3 ON KINK POINT (4 PLACES).
- 4 OBSOLETE PARTS: OBSOLETE CIS STREAMLINING PER D.RENAUD/D.SINISI

Au PL. 0.76[μm] MIN.	20	11	11.43	15.60	19.20	9	20	6-	-5
	60	31	36.83	41.00	44.60	29	60	6-	-4
	50	26	30.48	34.65	38.26	24	50	6-	-3
	40	21	24.13	28.30	31.90	19	40	6-	-2
Au PL. 0.2[μm] MIN.	30	16	17.78	21.95	25.55	14	30	6-	-1
	20	11	11.43	15.60	19.20	9	20		-5
	60	31	36.83	41.00	44.60	29	60		-4
	50	26	30.48	34.65	38.26	24	50		-3
REMARK	40	21	24.13	28.30	31.90	19	40		-2
	30	16	17.78	21.95	25.55	14	30		-1
	N M A B C n POS. PART NO.								
	CIRCUIT NO. DIMENSION								

鉛フリー
LEAD FREE

GENERAL TOLERANCE 一般公差	
10 ≥	±0.2
30 ≥ > 10	±0.25
100 ≥ > 30	±0.3
ANGLES: ±3°	

THIS DRAWING IS A CONTROLLED DOCUMENT.

DWN	T.KAWAMAE	09MAY94	 Tyco Electronics AMP K.K. Kawasaki, Japan
CHK	Y.FUJIURA	09MAY94	
APVD	Y.FUJIURA	09MAY94	
NAME	Y.FUJIURA		
PRODUCT SPEC	PLUG ASSY V WITH KINK		
APPLICATION SPEC	AMPLIMITE .050 SERIES I B-TO-B CONN.		
WEIGHT	SIZE	CAGE CODE	DRAWING NO
	A3	00779	G-175710
CUSTOMER DRAWING			RESTRICTED TO
SCALE 尺度		SHEET	REV
2:1		1 OF 1	C1