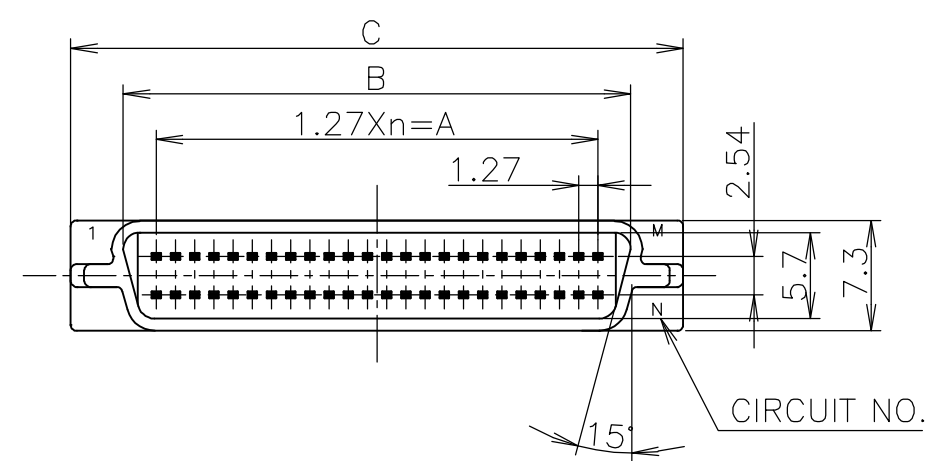
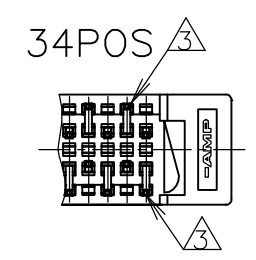
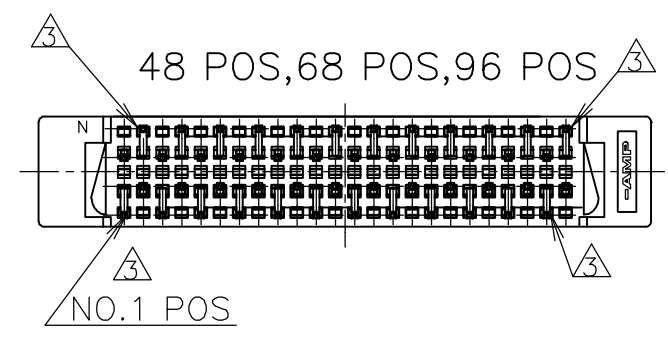
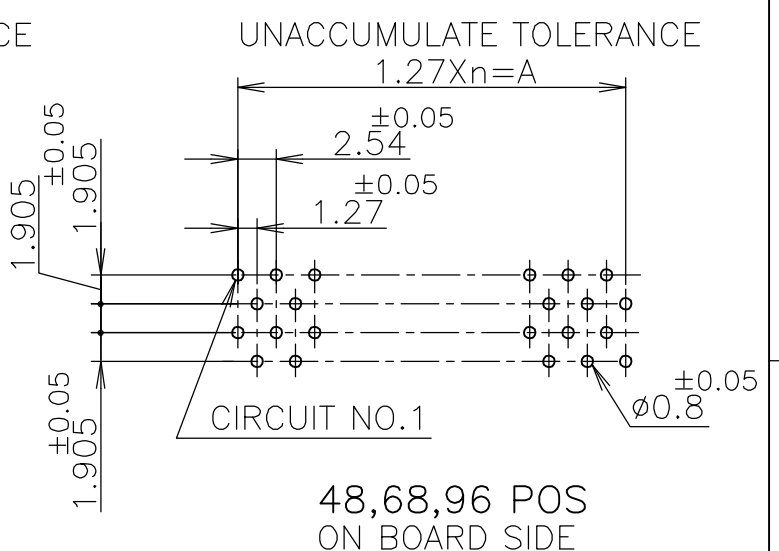
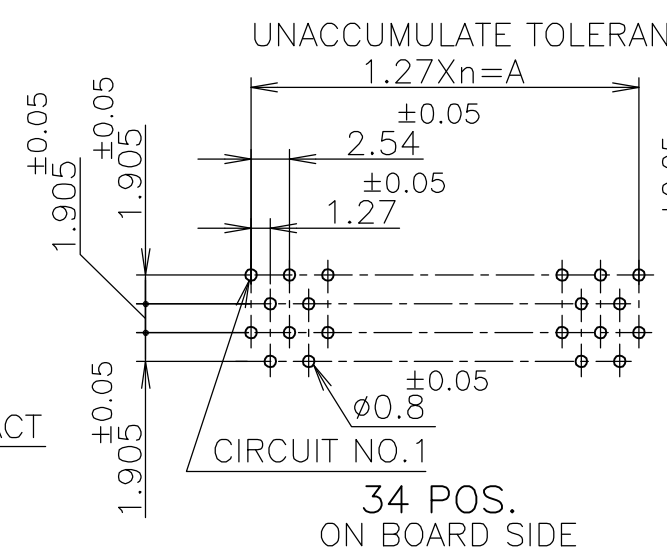
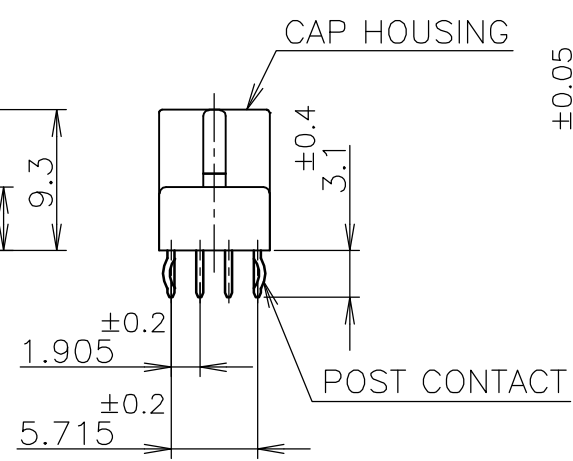
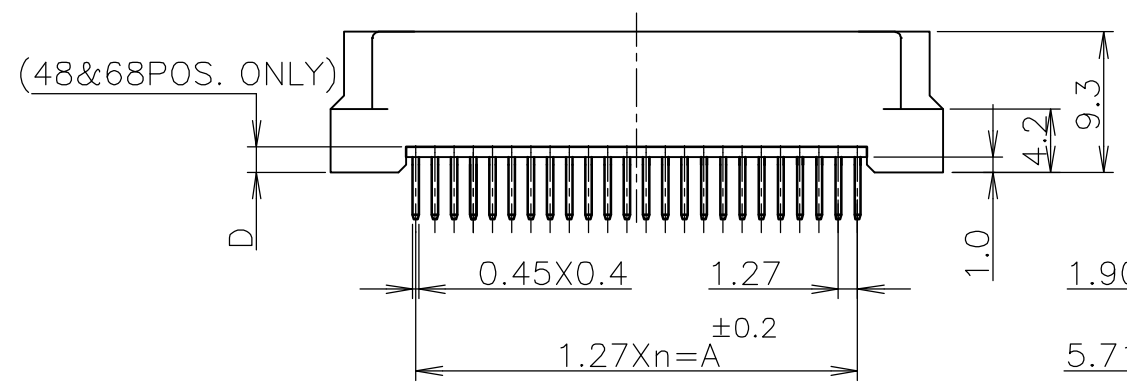


THIS DRAWING IS UNPUBLISHED. RELEASED FOR PUBLICATION AUG, 2005.
 © COPYRIGHT 2005 BY TYCO ELECTRONICS CORPORATION. ALL RIGHTS RESERVED.

LOC	DIST	REVISIONS					
		P	LTR	DESCRIPTION	DATE	DWN	APVD
J	/	0		RELEASED	04AUG05	T.K	T.S



- ① MATERIAL AND FINISH
 CAP HOUSING ; THERMOPLASTIC (UL94V-0) COLOR:BLACK
 POST CONTACT ; COPPER ALLOY FINISH,OVER NICKEL
 MATING END:0.0002 MIN. OR 0.00076 MIN. GOLD
 TERMINATION END:TIN OVER SEALING TREATMENT.
- 2 P.C.B. LAYOUT AND P.C.B. TREATMENT(REF.)
 USE A P.C.B. SURFACE ARE TREATED WITH SOLDER RESIST.
- ③ KINK POSITIONS(4 POSITIONS).



Au PL. 0.00076 MIN.	96	48	59.69	64.06	71.00	—	47	96	6-	-8
	68	34	41.91	46.28	53.22	1.7	33	68	6-	-7
	48	24	29.21	33.58	40.52	1.7	23	48	6-	-6
	34	17	20.32	24.69	31.63	—	16	34	6-	-5
Au PL. 0.0002 MIN.	96	48	59.69	64.05	71.00	—	47	96		-8
	68	34	41.91	46.28	53.22	1.7	33	68		-7
	48	24	29.21	33.58	40.52	1.7	23	48		-6
	34	17	20.32	24.69	31.63	—	16	34		5174683-5
REMARK	N	M	A	B	C	D	n	POS.	PART NO.	

THIS DRAWING IS A CONTROLLED DOCUMENT.

DWN T.KAWAMAE 04AUG05
 CHK T.SASAKI 04AUG05
 APVD T.SASAKI 04AUG05

DIMENSIONS: 単位: 耗 MM
 TOLERANCES UNLESS OTHERWISE SPECIFIED: 一般公差

0 PLC ± -
 1 PLC ± -
 2 PLC ± -
 3 PLC ± -
 4 PLC ± -
 ANGLES ± -

MATERIAL 材料

GENERAL TOLERANCE 一般公差

10 ≥ : ±0.2
 30 ≥ > 10: ±0.25
 100 ≥ > 30: ±0.3
 ANGLES: ±3'

tyco Electronics Tyco Electronics AMP K.K. Kawasaki.Japan

NAME 名称: CAP ASSY VERTICAL (W/KINK)
 PRODUCT SPEC 製品規格: AMPLIMITE 050 SERIES I B-TO-B CONN.
 APPLICATION SPEC 取付適用規格

SIZE A3 CAGE CODE 00779 DRAWING NO 番号 C-5174683 RESTRICTED TO

WEIGHT CUSTOMER DRAWING SCALE 尺度 2:1 SHEET 1 OF 1 REV 0