

4

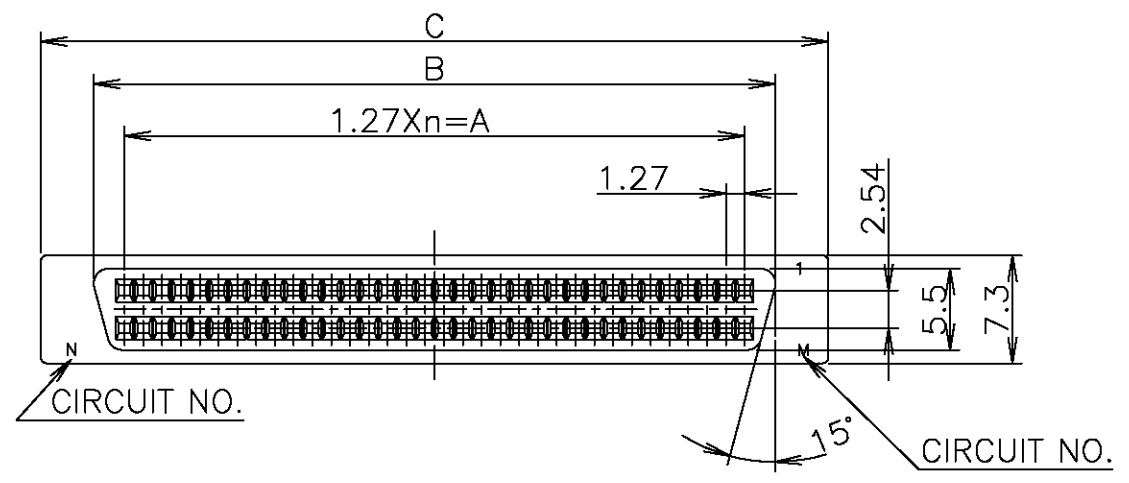
3

2

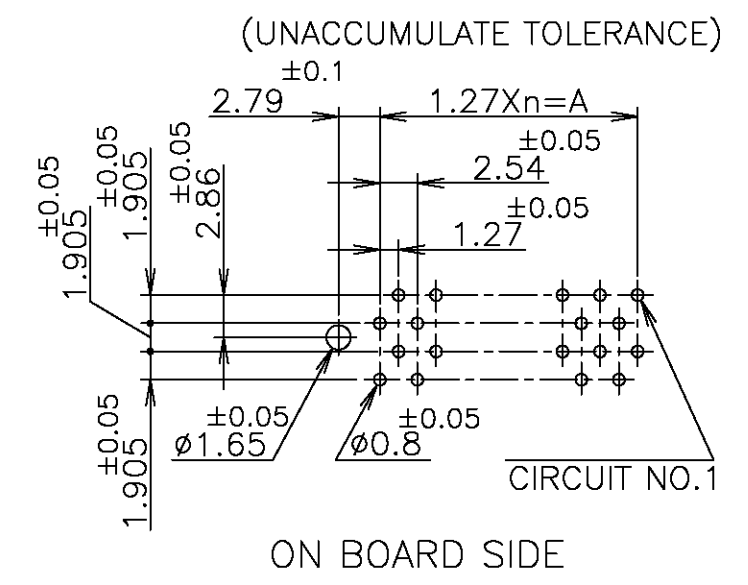
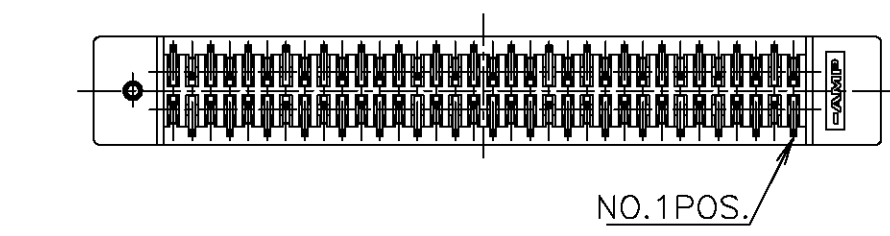
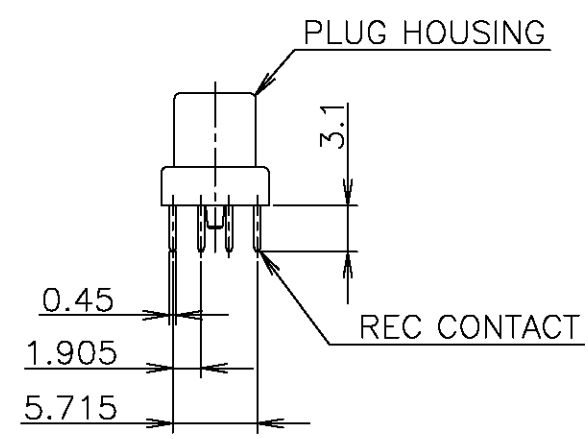
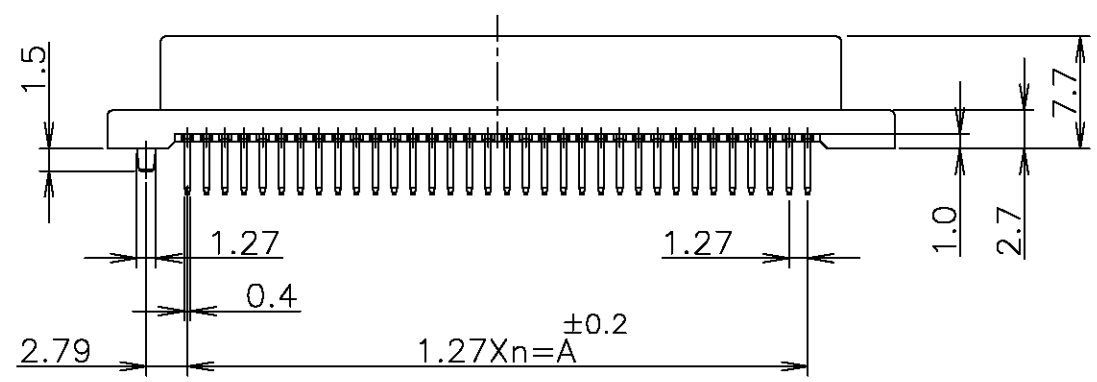
1

THIS DRAWING IS UNPUBLISHED. RELEASED FOR PUBLICATION JUN ,1995.
 © COPYRIGHT 1995 BY TYCO ELECTRONICS CORPORATION. ALL RIGHTS RESERVED.

LOC		DIST		REVISIONS				
P	LTR	DESCRIPTION			DATE	DWN	APVD	
	O	RELEASED	FJB0-0871-04		24AUG04	C.W	I.E	



△ MATERIAL & FINISH
 PLUG HOUSING: GLASS 20 % FILLED P.B.T. RESIN(UL94V-0)
 COLOR: BLACK.
 REC. CONTACT: COPPER ALLOY.
 FINISH: OVER NICKEL, MATING END 0.00076 MIN.
 GOLD TERMINATION END: TIN
 OVER SEALING TREATMENT.
 2 P.W.B. LAYOUT AND P.W.B. TREATMENT(REF.).
 USE P.W.B. SURFACE ARE TREATED WITH SOLDER RESIST.



LEAD FREE

GENERAL TOLERANCE
 10 ≥ : ±0.2
 30 > 10: ±0.25
 100 ≥ > 30: ±0.3
 ANGLES: ±3'

THIS DRAWING IS A CONTROLLED DOCUMENT.		DWN	24AUG04
DIMENSIONS: MM		CHK	24AUG04
TOLERANCES UNLESS OTHERWISE SPECIFIED:		APVD	24AUG04
0 PLC	± -	I. ENOMOTO	
1 PLC	± -	PRODUCT SPEC	
2 PLC	± -	APPLICATION SPEC	
3 PLC	± -	WEIGHT	
4 PLC	± -	CUSTOMER DRAWING	
ANGLES	± -	SCALE NTS	
MATERIAL	SEE NOTE	SHEET 1 OF 1	
FINISH	SEE NOTE	REV 0	

Au PL	68	35	41.91	46.08	53.22	33	68	6-5316173-7
0.00076	N	M	A	B	C	n	POS.	PART NO.
REMARK	CIRCUIT NO.		DIMENSION					
DWN		24AUG04		Tyco Electronics AMP K.K.		Kawasaki, Japan		
CHK		24AUG04		Tyco Electronics				
APVD		24AUG04		NAME		PLUG ASSY VERTICAL W/O KINK		
PRODUCT SPEC				I. ENOMOTO		WITH POLARIZATION PEG		
APPLICATION SPEC				NAME		AMPLIMITE .050 SERIES I B-TO-B CONN.		
WEIGHT				SIZE		CAGE CODE		DRAWING NO
CUSTOMER DRAWING				A3		00779		C=5316173
SCALE		NTS		SHEET		1 OF 1		REV 0