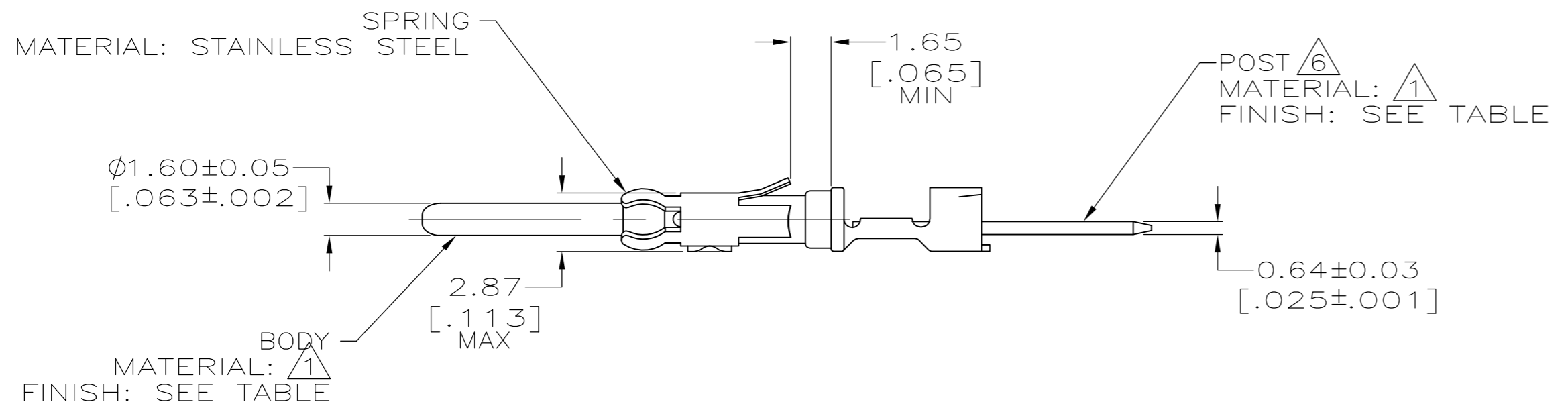
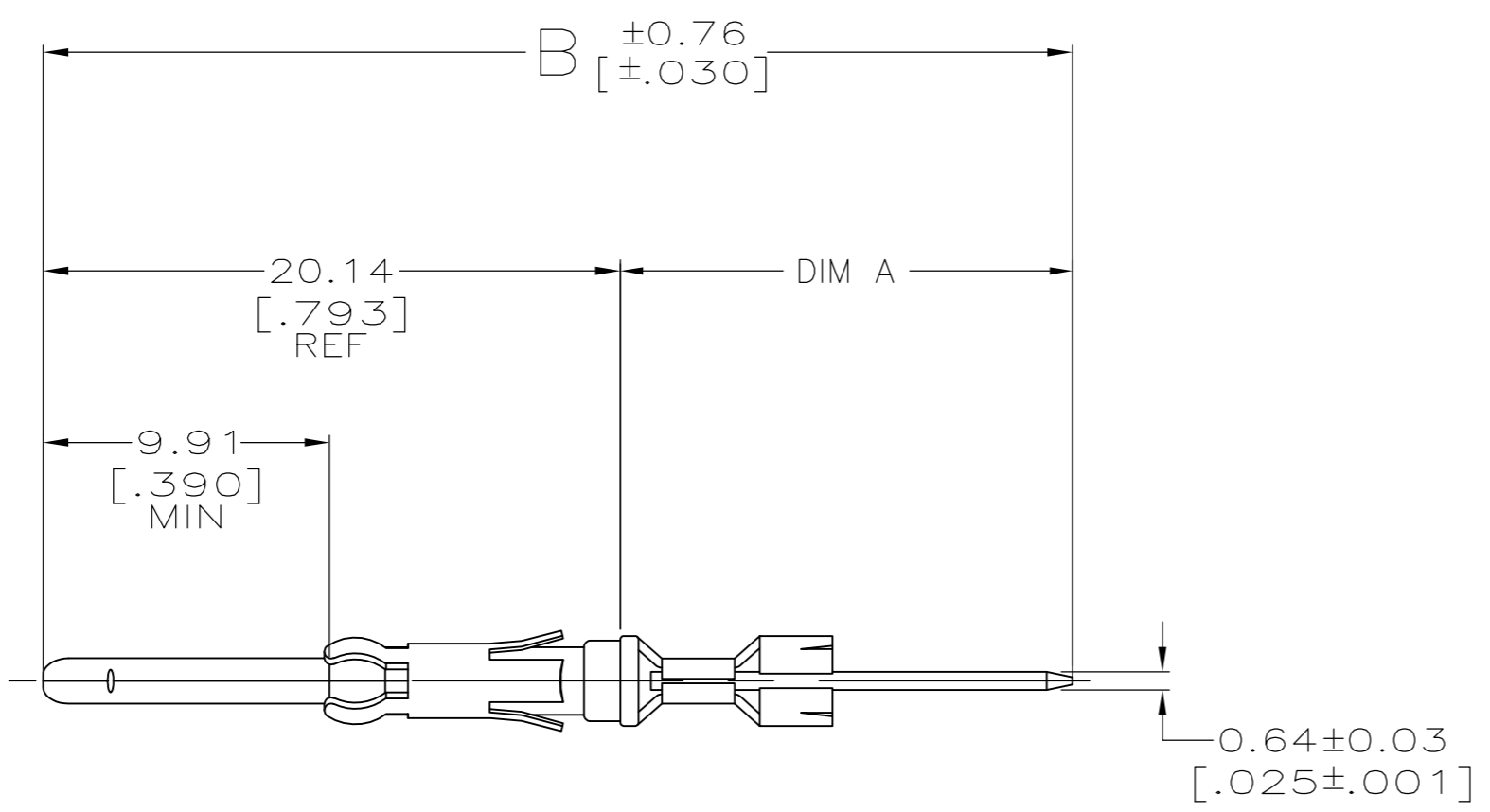


THIS DRAWING IS UNPUBLISHED. RELEASED FOR PUBLICATION
 © COPYRIGHT BY TYCO ELECTRONICS CORPORATION. ALL RIGHTS RESERVED.

LOC	DIST	REVISIONS					
FT	0	P	LTR	DESCRIPTION	DATE	DWN	APVD
		AS		REVISE PER ECR 10-012675	13SEPT10	JR	SH



FINISH	BODY FINISH	NO OF TERM	B	A	PART NUMBER
7	8	3	46.08 [1.814]	25.91 [1.020]	6-66460-6
7	8	1	35.97 [1.416]	15.80 [.622]	6-66460-5
7	4	3	46.08 [1.814]	25.91 [1.020]	6-66460-4
7	4	2	41.28 [1.625]	21.11 [.831]	6-66460-3
7	4	1	35.97 [1.416]	15.80 [.622]	6-66460-2
2	2	SPECIAL	33.40 [1.315]	13.23 [.521]	6-66460-1
2	3	SPECIAL	65.61 [2.583]	45.44 [1.789]	5-66460-0
2	3	SPECIAL	57.73 [2.273]	37.57 [1.479]	4-66460-9
2	3	SPECIAL	49.86 [1.963]	29.69 [1.169]	4-66460-8
2	3	SPECIAL	68.60 [2.701]	48.44 [1.907]	3-66460-0
2	3	SPECIAL	59.71 [2.351]	39.55 [1.557]	2-66460-9
2	3	SPECIAL	50.82 [2.001]	30.66 [1.207]	2-66460-8
2	4	1	34.80 [1.370]	14.63 [.576]	2-66460-1
2	4	-	34.77 [1.369]	14.63 [.576]	2-66460-0
2	4	SPECIAL	52.78 [2.078]	32.61 [1.284]	1-66460-9
2	5	2	41.28 [1.625]	21.11 [.831]	1-66460-8
2	4	2	41.28 [1.625]	21.11 [.831]	1-66460-1
2	4	SPECIAL	33.40 [1.315]	13.23 [.521]	1-66460-0
2	4	3	46.08 [1.814]	25.91 [1.020]	66460-9
2	4	2	41.28 [1.625]	21.11 [.831]	66460-8
2	4	1	35.97 [1.416]	15.80 [.622]	66460-7
2	3	3	46.08 [1.814]	25.91 [1.020]	66460-6
2	3	2	41.28 [1.625]	21.11 [.831]	66460-5
2	3	1	35.97 [1.416]	15.80 [.622]	66460-4
2	2	3	46.08 [1.814]	25.91 [1.020]	66460-3
2	2	2	41.28 [1.625]	21.11 [.831]	66460-2
2	2	1	35.97 [1.416]	15.80 [.622]	66460-1

OBSOLETE

SUPERSEDED BY 66460-8

- 1 BRASS PER ASTM B-36.
- 2 2.54µm [.000100] MIN TIN-LEAD OVER 1.27µm [.000050] MIN NICKEL.
- 3 0.76µm [.000030] MIN PRECIOUS METAL PLATING CONFORMS TO THE REQUIREMENTS OF TE PRODUCT SPEC 108-10042, BASED ON EIA/ECA-364-1000.01 (CONTROLLED ENVIRONMENT APPLICATIONS), OVER 1.27µm [.000050] MIN NICKEL.
- 4 0.76µm [.000030] MIN PRECIOUS METAL PLATE ON MATING END FOR A LENGTH OF 5.08 [.200] MIN OVER 1.27µm [.000050] MIN NICKEL PLATE. GOLD FLASH ALL OVER. CONFORMS TO THE REQUIREMENTS OF TYCO ELECTRONICS PRODUCT SPEC 108-10042, BASED ON EIA/ECA-364-1000.01A (CONTROLLED ENVIRONMENT APPLICATIONS).
- 5 SELECTIVELY PLATED 0.51µm [.000020] MIN GOLD, FOR A DISTANCE OF 5.08 [.200] FROM MATING END, GOLD FLASH ON REMAINDER, ALL OVER 0.76µm [.000030] MIN NICKEL.
- 6 POST WILL ACCEPT (SEE TABLE) TERMINATIONS.
- 7 POST PLATING .000100 MIN TIN OVER .000050 MIN NICKEL.
- 8 .0001000 TIN OVER .000050 NICKEL.

THIS DRAWING IS A CONTROLLED DOCUMENT.

DWN C. REIFSNYDER 06 JUN 96	CHK R. STONE 27 JUN 96	APVD G.A. STEINHAUER 23 JUL 96	Tyco Electronics Corporation Harrisburg, Pa 17105-3608												
DIMENSIONS: MM [INCHES]		TOLERANCES UNLESS OTHERWISE SPECIFIED:		NAME G.A. STEINHAUER											
<table border="1"> <tr><td>0 PLC</td><td>± -</td></tr> <tr><td>1 PLC</td><td>± -</td></tr> <tr><td>2 PLC</td><td>± 0.25 [.010]</td></tr> <tr><td>3 PLC</td><td>± -</td></tr> <tr><td>4 PLC</td><td>± -</td></tr> <tr><td>ANGLES</td><td>± -</td></tr> </table>		0 PLC	± -		1 PLC	± -	2 PLC	± 0.25 [.010]	3 PLC	± -	4 PLC	± -	ANGLES	± -	PRODUCT SPEC APPLICATION SPEC
0 PLC	± -														
1 PLC	± -														
2 PLC	± 0.25 [.010]														
3 PLC	± -														
4 PLC	± -														
ANGLES	± -														
MATERIAL SEE CALLOUTS		FINISH SEE CALLOUTS		SIZE A2											
CUSTOMER DRAWING		WEIGHT -		CAGE CODE 00779											
		SCALE 4:1		DRAWING NO 66460											
		SHEET 1 OF 2		RESTRICTED TO -											
		REV AS													

THIS DRAWING IS UNPUBLISHED. RELEASED FOR PUBLICATION
 © COPYRIGHT BY TYCO ELECTRONICS CORPORATION. ALL RIGHTS RESERVED.

LOC	DIST	REVISIONS					
FT	0	P	LTR	DESCRIPTION	DATE	DWN	APVD
		-		SEE SHEET 1	-	-	-

		SPECIAL	33.40 [1.315]	13.23 [.521]	6-66460-8
		2	41.28 [1.625]	21.11 [.831]	6-66460-7
POST FINISH	BODY FINISH	NO OF TERM	B	A	PART NUMBER

THIS DRAWING IS A CONTROLLED DOCUMENT.		DWN C.REIFSNYDER 06 JUN 96	Tyco Electronics Corporation Harrisburg, Pa 17105-3608		
DIMENSIONS: INCHES		CHK R.STONE 27 JUN 96	NAME G.A.STEINHAUER		
TOLERANCES UNLESS OTHERWISE SPECIFIED:		APVD G.A.STEINHAUER 23 JUL 96	PRODUCT SPEC -		
 0 PLC ± - 1 PLC ± - 2 PLC ± 0.25 [.010] 3 PLC ± - 4 PLC ± - ANGLES ± -		APPLICATION SPEC -		SIZE A2	CAGE CODE 00779
MATERIAL SEE CALLOUTS		FINISH SEE CALLOUTS	WEIGHT -	DRAWING NO C=66460	RESTRICTED TO -
CUSTOMER DRAWING			SCALE 4:1	SHEET 2	OF 2
			REV AS		

66460