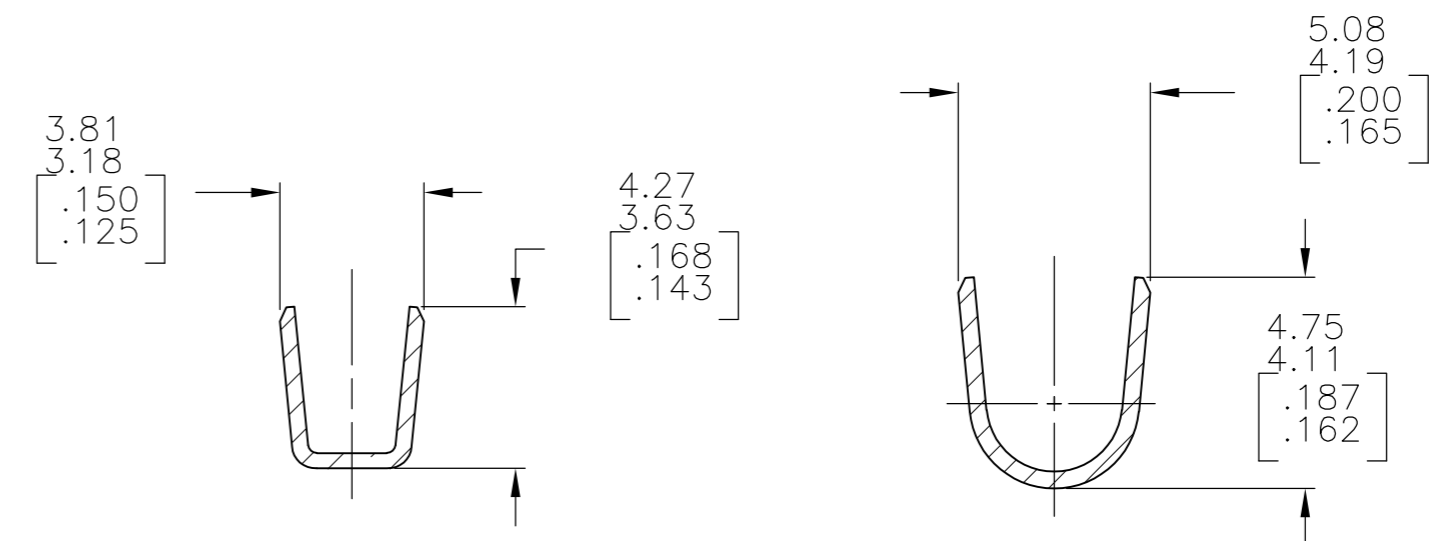
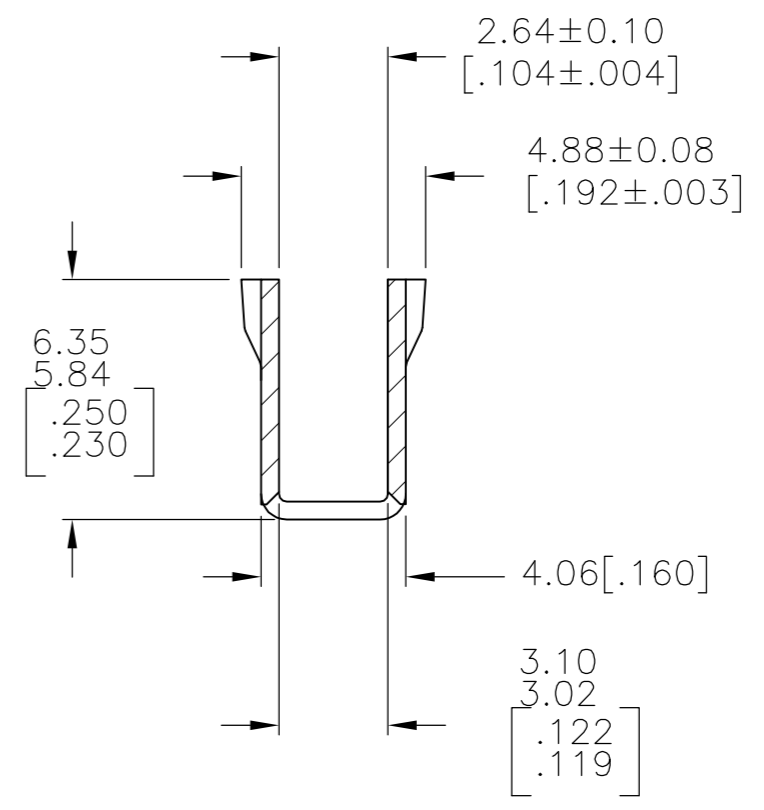
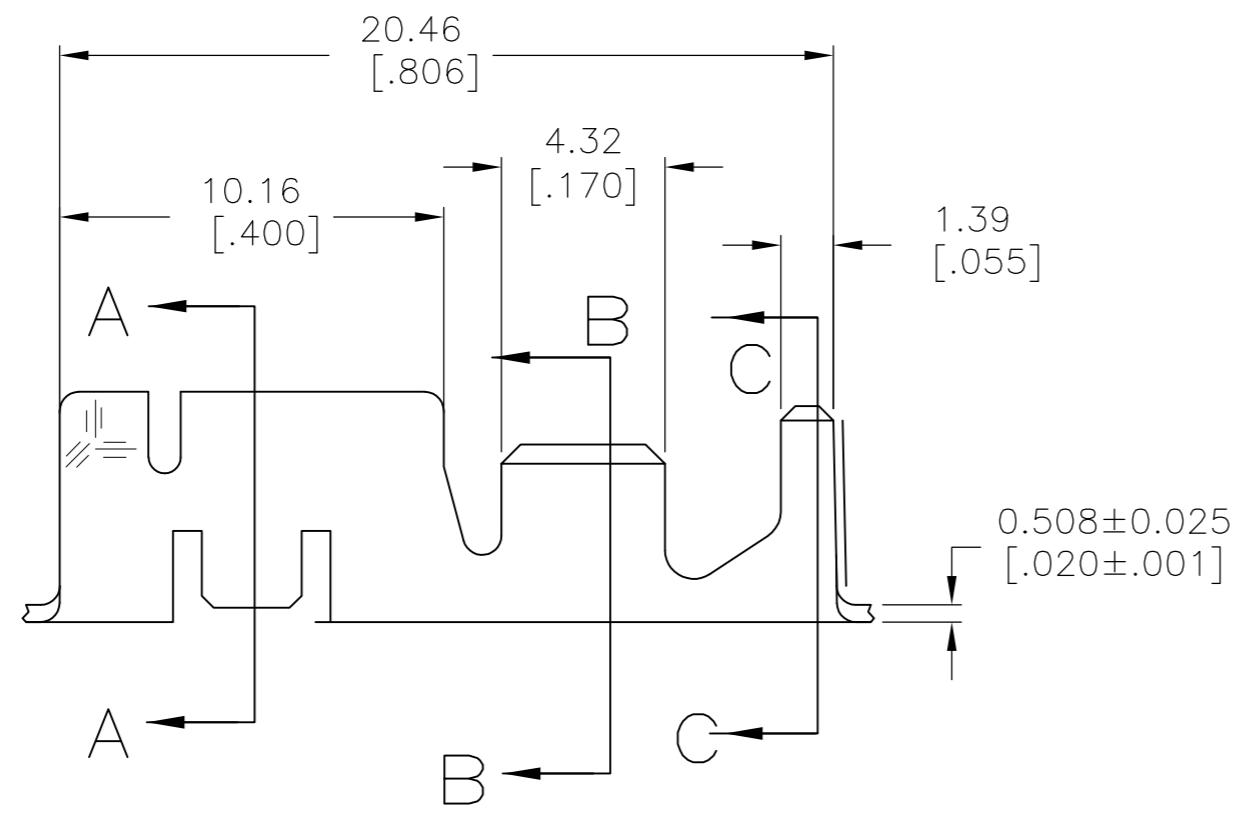
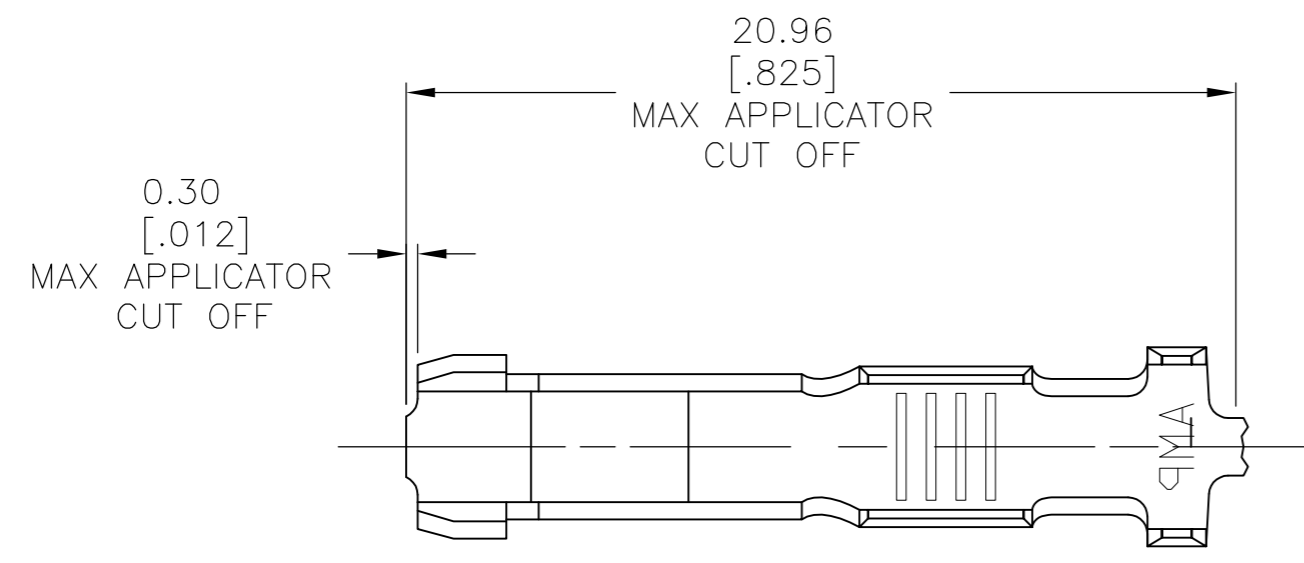


THIS DRAWING IS UNPUBLISHED. RELEASED FOR PUBLICATION
 © COPYRIGHT BY TYCO ELECTRONICS CORPORATION. ALL INTERNATIONAL RIGHTS RESERVED.

LOC	DIST	REVISIONS					
AF	50	P	LTR	DESCRIPTION	DATE	DWN	APVD
		AA3		REVISED PER ECR-09-010323	08MAY09	HMR	GJ



- 1 CONTINUOUS STRIP ON REELS WITH TERMINALS LOCATED ON 22.61[.890] CENTERS
- 2 SPECIAL PACKAGING
- 3 PREPRODUCTION - FASR REQUIRED.

OBSOLETE	TIN PLATE	3.30[.130] MAX	0.75-1.5mm ² [#18-#16]AWG	2 62244-6
	-	3.30[.130] MAX	0.75-1.5mm ² [#18-#16]AWG	3 62244-5
	TIN PLATE	3.30[.130] MAX	0.75-1.5mm ² [#18-#16]AWG	62244-3
	FINISH	INSULATION BARREL DIA	WIRE BARREL RANGE	PART NO

F OR O	3.94 [.155]	6.22 [.245]	F	2.79 [.110]	2.01 [.079]	1.5mm ² [16]
TYPE	WIDTH	STRIP LENGTH ±0.38 [±.015]	TYPE	WIDTH	±0.051±[.002] HEIGHT	WIRE
INSUL BARREL CRIMP	WIRE BARREL CRIMP					



THIS DRAWING IS A CONTROLLED DOCUMENT.

DIMENSIONS: mm [INCHES]	TOLERANCES UNLESS OTHERWISE SPECIFIED:	DWN DK SCHRUM 2/20/90	Tyco Electronics Corporation Harrisburg, PA 17105-3608
		CHK MS FEHER 2/22/90	
		APVD T L SHUTTER 3/5/90	NAME RECEPTACLE, CLUSTER PIN, 3.18[.125] DIA
		PRODUCT SPEC 108-2008	SIZE A2
		APPLICATION SPEC 114-2019	CAGE CODE 00779
MATERIAL #3 HARD PHOSPHOR BRONZE	FINISH SEE TABLE	WEIGHT -	DRAWING NO C=62244
		CUSTOMER DRAWING	RESTRICTED TO -

SCALE 5:1 SHEET 1 OF 1 REV AA3