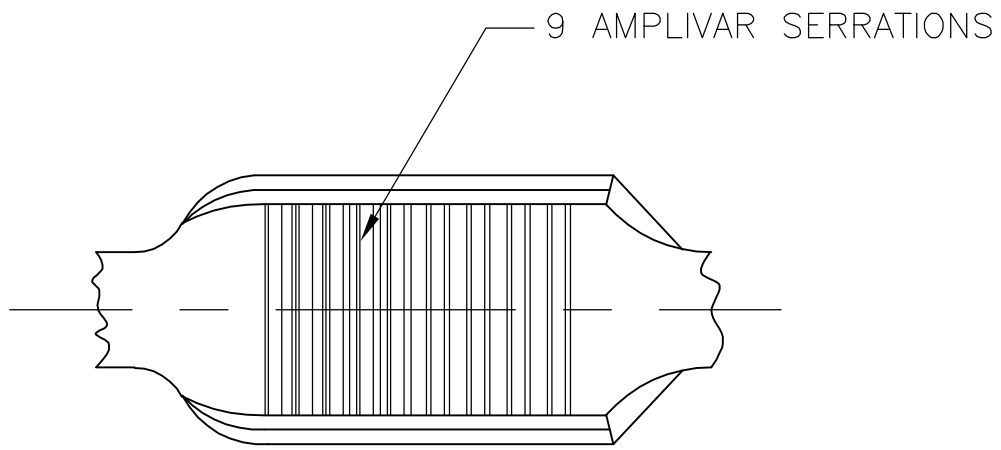
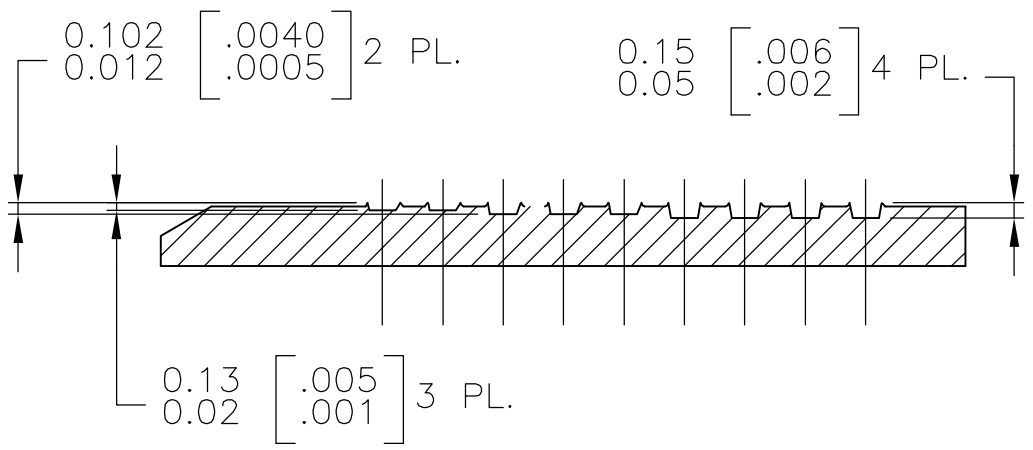
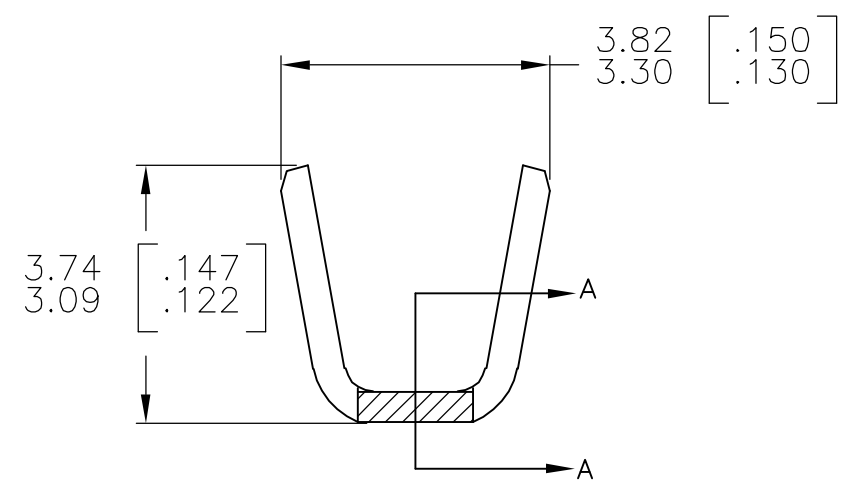
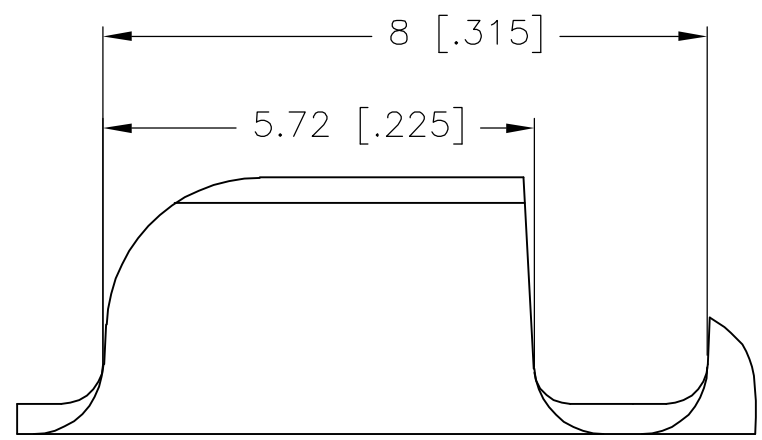


THIS DRAWING IS UNPUBLISHED. RELEASED FOR PUBLICATION  
 © COPYRIGHT BY TYCO ELECTRONICS CORPORATION. ALL RIGHTS RESERVED.

|     |      |           |     |                                    |         |     |      |
|-----|------|-----------|-----|------------------------------------|---------|-----|------|
| LOC | DIST | REVISIONS |     |                                    |         |     |      |
| AF  | 50   | P         | LTR | DESCRIPTION                        | DATE    | DWN | APVD |
|     |      |           | D1  | ECR-06-003925 (REDRAWN IN AUTOCAD) | 30JAN06 | HMR | GDP  |



- PRODUCT PROVIDED IN STRIP FORM ON REELS; BREAKS MAY BE PRESENT.
- FOR FOREIGN USE ONLY
- DIMENSIONS IN BRACKETS ARE IN INCHES.
- CRIMP WIDTH: .110 F (AMPLIVAR TYPE)  
 CRIMP HEIGHT (±.002)=(TOTAL CMA +7730)/188,900  
 GENERAL APPLICATION GUIDELINES MUST BE FOLLOWED AS SPECIFIED IN CATALOG # 82221  
 FOR APPLICATOR INFORMATION CALL: 1-800-722-1111  
 FOR PRODUCT INFORMATION CALL: 1-800-522-6752



|               |          |
|---------------|----------|
| TIN PL.       | 62305-2  |
| $\triangle 2$ | 62305-1  |
| FINISH        | PART NO. |

SECTION A-A  
 SCALE : 20:1

**METRIC**

|  |  |                         |   |           |
|--|--|-------------------------|---|-----------|
| THIS DRAWING IS A CONTROLLED DOCUMENT. |  | DWN RAGHAVENDRA 30JAN06 | Tyco Electronics Corporation<br>Harrisburg, PA 17105-3608 |           |
| DIMENSIONS: mm [INCHES]                | TOLERANCES UNLESS OTHERWISE SPECIFIED: | CHK G.D.PORTA           | NAME  |           |
|  | 0 PLC ± -                              | APVD G.D.PORTA          | SPLICE, AMPLIVAR  |           |
|  | 1 PLC ± -                              | PRODUCT SPEC -          | 600-3000 CMA  |           |
|  | 2 PLC ± 0.38[.015]                     | APPLICATION SPEC        | SIZE  | CAGE CODE |
|  | 3 PLC ± -                              | 114-2003                | A3  | 00779     |
|  | 4 PLC ± -                              | WEIGHT -                | DRAWING NO  | C-62305   |
|  | ANGLES ± 1'0"                          | CUSTOMER DRAWING        | RESTRICTED TO   | -         |
| MATERIAL 0.41[.016] BRASS              | FINISH SEE TABLE                       | SCALE 10:1              | SHEET 1 OF 1  | REV D1    |