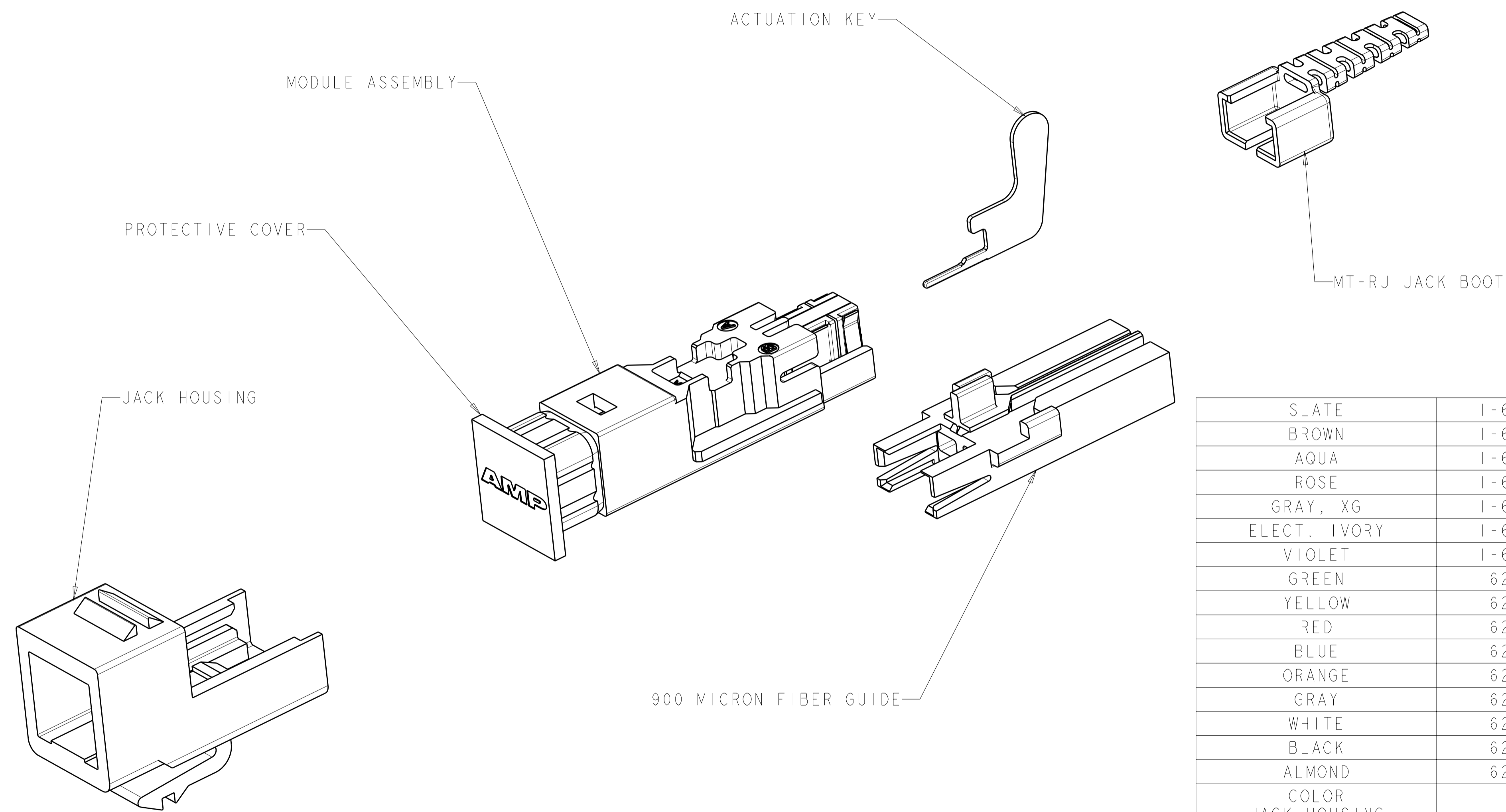


THIS DRAWING IS UNPUBLISHED. RELEASED FOR PUBLICATION  
 © COPYRIGHT 20 BY TYCO ELECTRONICS CORPORATION. ALL INTERNATIONAL RIGHTS RESERVED.

LOC	DIST	REVISIONS			
P	LTR	DESCRIPTION	DATE	DWN	APVD
CE	00	A	REV PER ECR-06-003731	16FEB2006	BB DK
		AI	DRAWING CLEAN UP	02DEC2009	BB DK

⚠ ENSURE THAT THE WALL BOX IS AT LEAST 50.8mm [2.0 INCHES] DEEP, WHEN INSTALLING MT-RJ WORKSTATION KIT.



COLOR JACK HOUSING	PART NUMBER
SLATE	1-6278414-6
BROWN	1-6278414-5
AQUA	1-6278414-4
ROSE	1-6278414-3
GRAY, XG	1-6278414-2
ELECT. IVORY	1-6278414-1
VIOLET	1-6278414-0
GREEN	6278414-9
YELLOW	6278414-8
RED	6278414-7
BLUE	6278414-6
ORANGE	6278414-5
GRAY	6278414-4
WHITE	6278414-3
BLACK	6278414-2
ALMOND	6278414-1

<small>THIS DRAWING IS A CONTROLLED DOCUMENT FOR TYCO ELECTRONICS CORPORATION. IT IS SUBJECT TO CHANGE AND THE CONTROLLING ENGINEERING ORGANIZATION SHOULD BE CONTACTED FOR THE LATEST REVISION.</small>		DWN B. BRIGGS 01NOV2005 CHK D. KIRSCH 01NOV2005 APVD S. BUCHTER 07NOV2005	<b>Tyco Electronics</b> Tyco Electronics Harrisburg, PA 17105-3608
DIMENSIONS: mm [INCHES]	TOLERANCES UNLESS OTHERWISE SPECIFIED: 0 PLC ± 1 PLC ± 2 PLC ± 3 PLC ± 4 PLC ± ANGLES ± FINISH	PRODUCT SPEC APPLICATION SPEC WEIGHT	NAME <b>MT-RJ, WORKSTATION JACK KIT, 50/125</b>
MATERIAL		SCALE 3:1 SHEET 1 OF 1 REV AI	RESTRICTED TO -