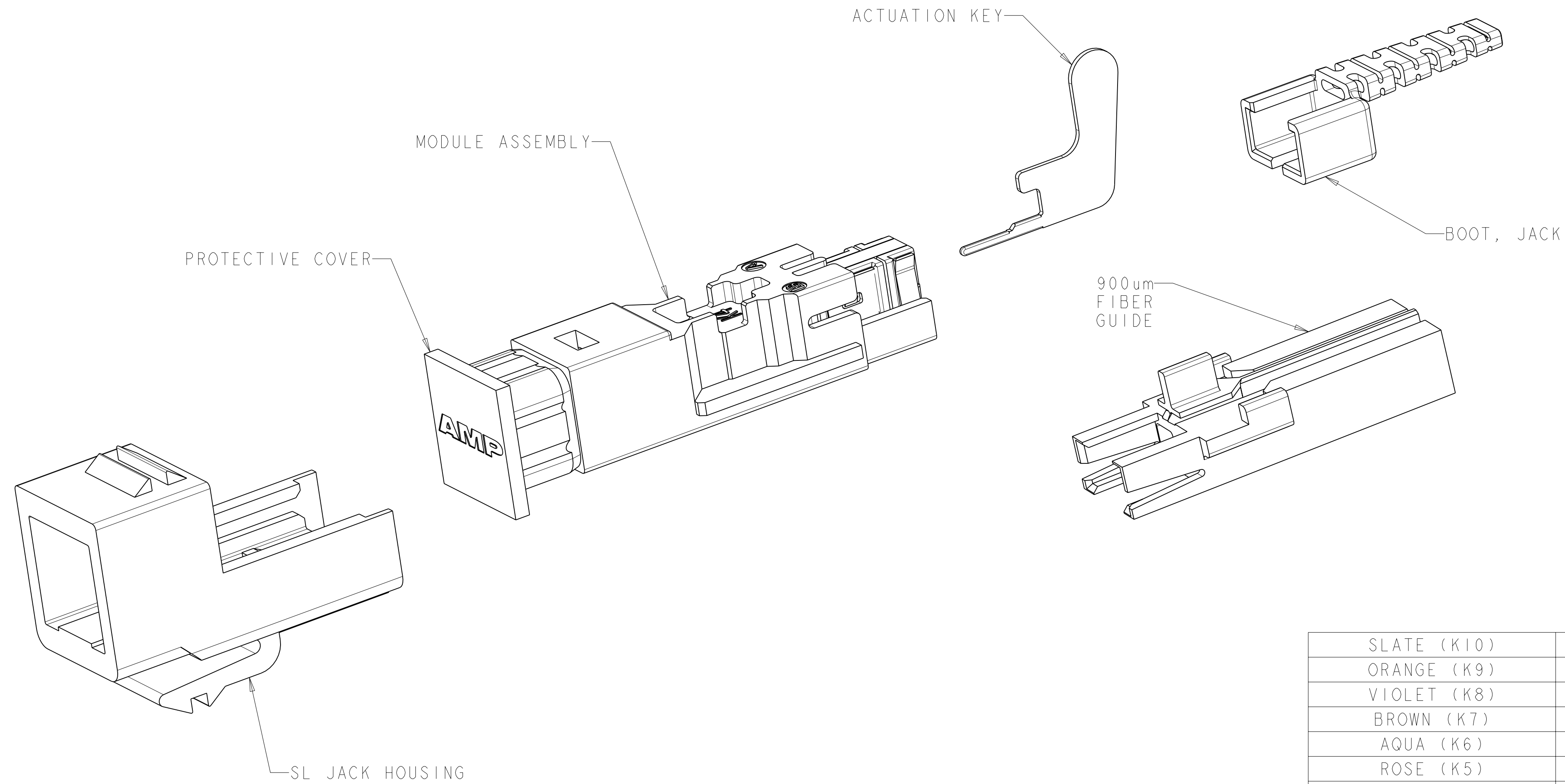


THIS DRAWING IS UNPUBLISHED. RELEASED FOR PUBLICATION
 © COPYRIGHT 19 BY TYCO ELECTRONICS CORPORATION. ALL RIGHTS RESERVED.

LOC	DIST	REVISIONS					
CE	00	P	LTR	DESCRIPTION	DATE	DWN	APVD
		A		REV PER ECR-003731	16FEB2006	BB	DK

1. INSURE THAT THE WALL BOX IS AT LEAST 50.8mm (2.0 INCHES) DEEP,
 WHEN INSTALLING MT-RJ WORKSTATION JACK KIT.



SLATE (K10)	1-6278810-0
ORANGE (K9)	6278810-9
VIOLET (K8)	6278810-8
BROWN (K7)	6278810-7
AQUA (K6)	6278810-6
ROSE (K5)	6278810-5
BLUE (K4)	6278810-4
GREEN (K3)	6278810-3
YELLOW (K2)	6278810-2
RED (K1)	6278810-1
DESCRIPTION	PART NUMBER

<small>THIS DRAWING IS A CONTROLLED DOCUMENT FOR TYCO ELECTRONICS CORPORATION IT IS SUBJECT TO CHANGE AND THE CONTROLLING ENGINEERING ORGANIZATION SHOULD BE CONTACTED FOR THE LATEST REVISION.</small>		DWN B. BRIGGS 02NOV2005 CHR D. KIRSCH 02NOV2005 APVD S. BUCHTER 02NOV2005	AMP AMP Incorporated Harrisburg, PA 17105-3608
DIMENSIONS: mm 	TOLERANCES UNLESS OTHERWISE SPECIFIED: 0 PLC ± 1 PLC ± 2 PLC ± 3 PLC ± 4 PLC ± ANGLES ± FINISH -	PRODUCT SPEC - APPLICATION SPEC - WEIGHT -	NAME MT-RJ SECURE WORKSTATION JACK KIT, 62.5/125, 900um SIZE A2 CAGE CODE 00779 DRAWING NO C=6278810 RESTRICTED TO - SCALE 7:2 SHEET 1 OF 1 REV A
MATERIAL -		CUSTOMER DRAWING	