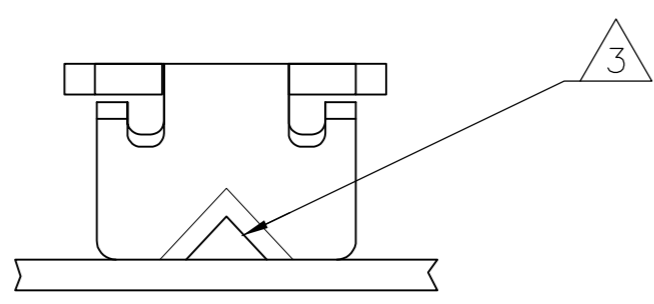
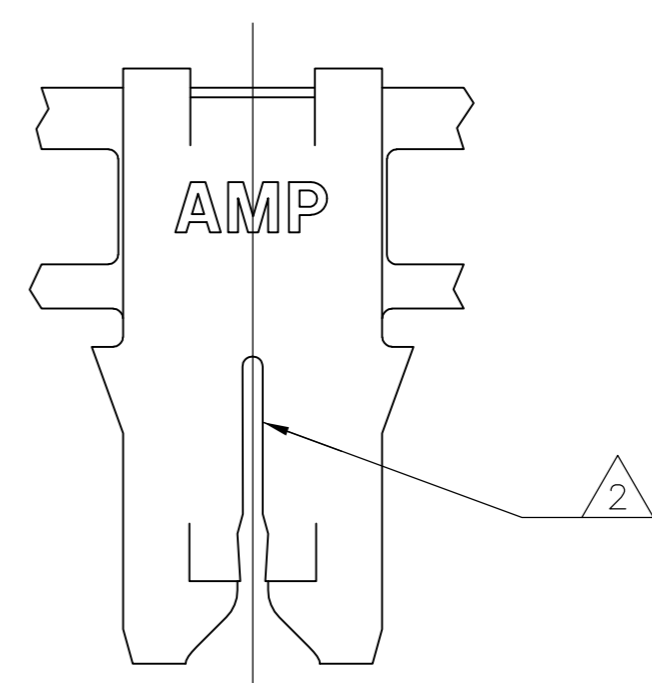
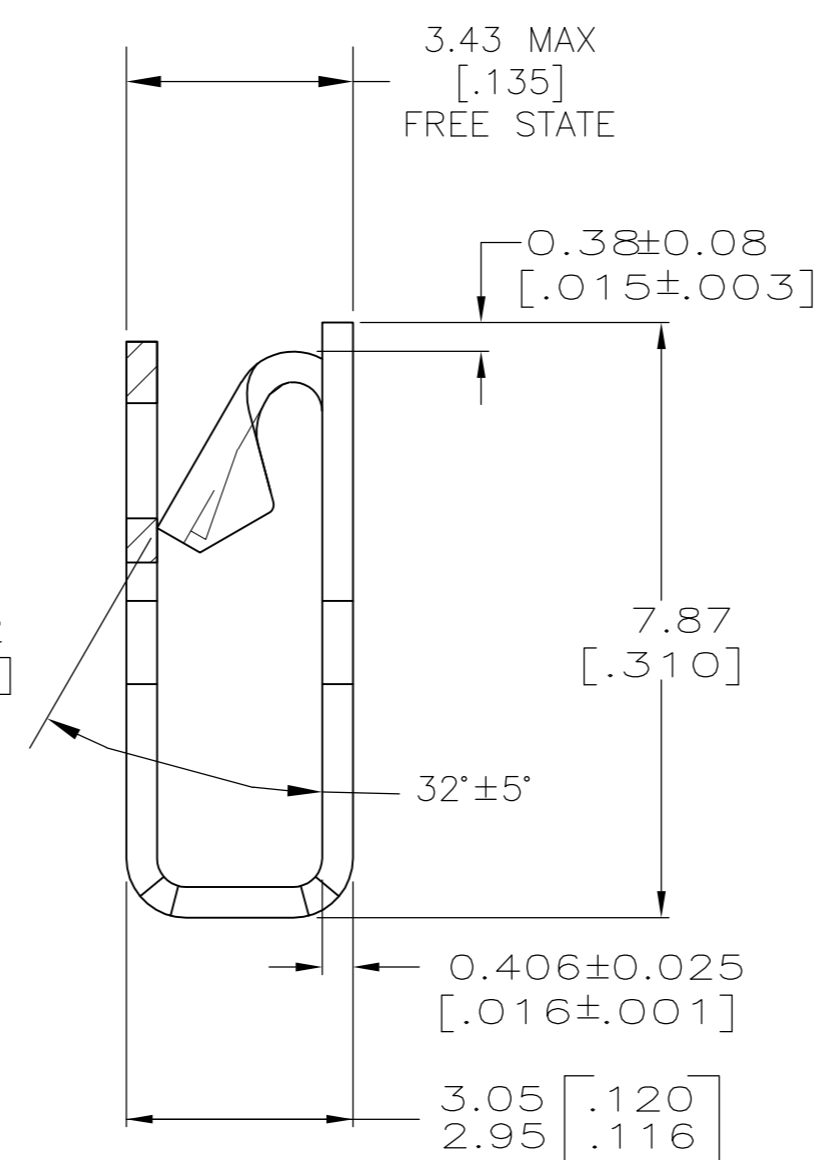
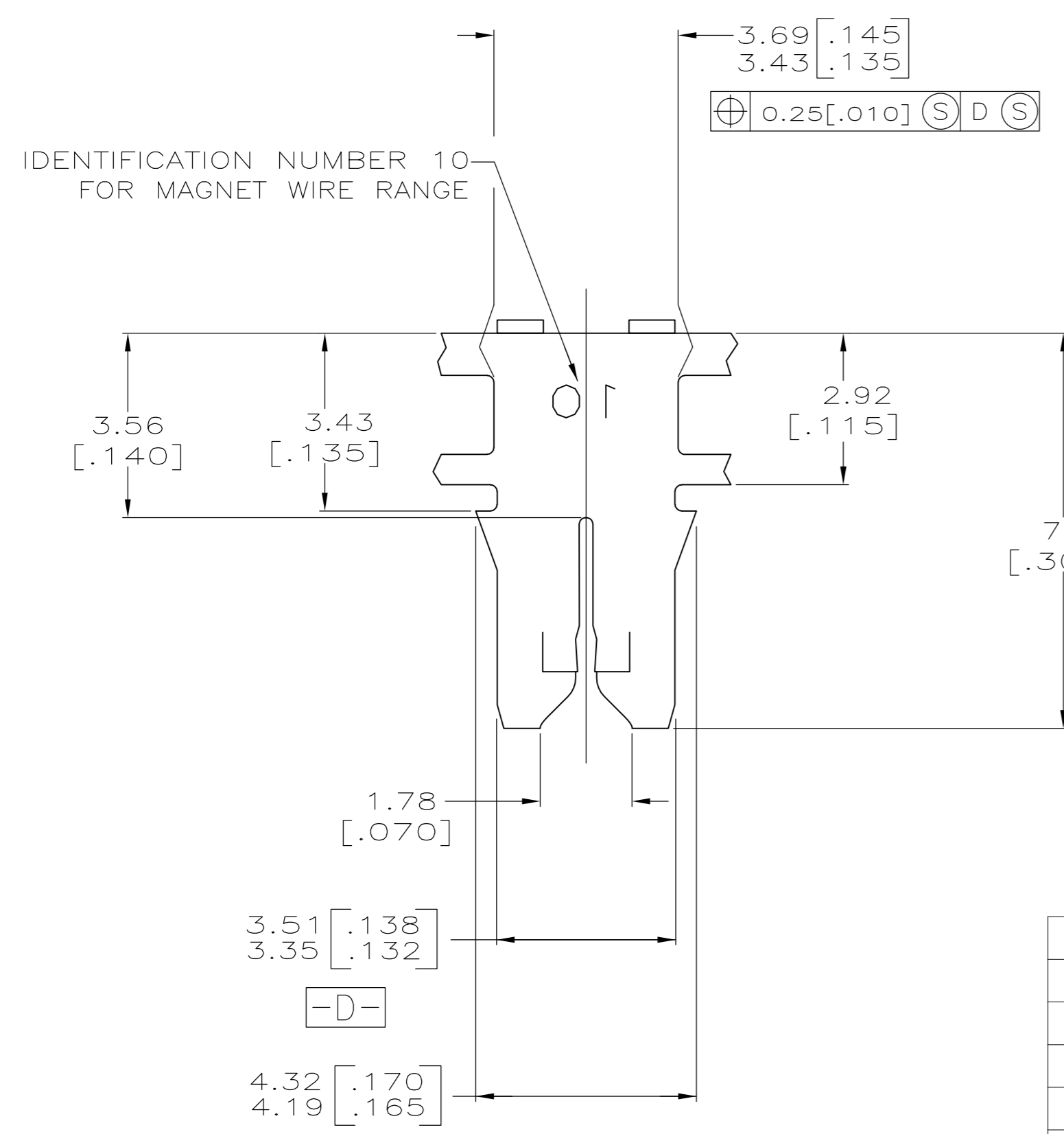


THIS DRAWING IS UNPUBLISHED. RELEASED FOR PUBLICATION  
 © COPYRIGHT BY TYCO ELECTRONICS CORPORATION. ALL INTERNATIONAL RIGHTS RESERVED.

LOC	DIST	REVISIONS			
P	LTR	DESCRIPTION	DATE	DWN	APVD
AF	50	REVISED PER ECR-10-021565	22OCT10	HMR	KR



- 1 CONTINUOUS STRIP ON REELS WITH TERMINALS LOCATED ON 5.59±0.08 [.220±.003] CENTERS.
- 2 SLOT ACCEPTS EITHER A SINGLE OR DOUBLE MAGNET WIRE OF THE SAME SIZE AND TYPE. COPPER RANGE 0.36-0.57mm [#27-#23 AWG].
- 3 POKE-IN ACCEPTS A 0.50-0.90mm<sup>2</sup> [#20-#18] AWG SOLID OR FUSED STRANDED LEAD WIRE.
- 4 SPECIAL REEL QUANTITY - AMP SPAIN PRODUCTION ONLY.
- 5 PRELIMINARY - NOT FOR PRODUCTION.
- 6 FOREIGN PRODUCTION ONLY.
- 7 PREPRODUCTION - FASR REQUIRED.



STANDARD	PAPER SPLICE	WITHOUT PAPER	0.002032[.000080] MIN TIN PLATE	R620S CU-NI-SI	7	62935-9
STANDARD	PAPER SPLICE	WITHOUT PAPER	0.002032[.000080] MIN TIN PLATE	4M BRASS	5	62935-8
STANDARD	SPLICE FREE	WITH PAPER	0.002032[.000080] MIN TIN PLATE	4M BRASS	6	62935-7
REVERSE	WELD SPLICE	WITHOUT PAPER	0.002032[.000080] MIN TIN PLATE	4M BRASS	5	62935-6
STANDARD	WELD SPLICE	WITHOUT PAPER	0.002032[.000080] MIN TIN PLATE	4M BRASS	4	62935-5
STANDARD	SPLICE FREE	PLASTIC REEL W/O PAPER	0.002032[.000080] MIN TIN PLATE	4M BRASS		62935-4
STANDARD	WELD SPLICE	WITH PAPER	0.002032[.000080] MIN TIN PLATE	4M BRASS		62935-3
STANDARD	WELD SPLICE	PLASTIC REEL W/ PAPER	NONE	4M BRASS	6	62935-2
STANDARD	WELD SPLICE	WITHOUT PAPER	0.002032[.000080] MIN TIN PLATE	4M BRASS		62935-1
REELING DIRECTION	SPLICE	REELING	FINISH	MATERIAL		PART NUMBER

THIS DRAWING IS A CONTROLLED DOCUMENT.

DWN: MICHAEL S. FEHER (15MAR2004)  
 CHK: KURT A. RANDOLPH (15MAR2004)  
 APVD: KURT A. RANDOLPH (15MAR2004)

**Tyco Electronics** Tyco Electronics Corporation  
 Harrisburg, PA 17105-3608

NAME: KURT A. RANDOLPH  
 PRODUCT SPEC: 108-2012  
 APPLICATION SPEC: 114-2046

SIZE: A2 CAGE CODE: 00779 DRAWING NO: C=62935 RESTRICTED TO: -  
 WEIGHT: - SCALE: 10:1 SHEET: 1 OF 1 REV: AH4

DIMENSIONS: INCHES TOLERANCES UNLESS OTHERWISE SPECIFIED:  
 0 PLC ± -  
 1 PLC ± -  
 2 PLC ± 0.25 [.010]  
 3 PLC ± -  
 4 PLC ± -  
 ANGLES ± -

MATERIAL: SEE TABLE FINISH: SEE TABLE

CUSTOMER DRAWING