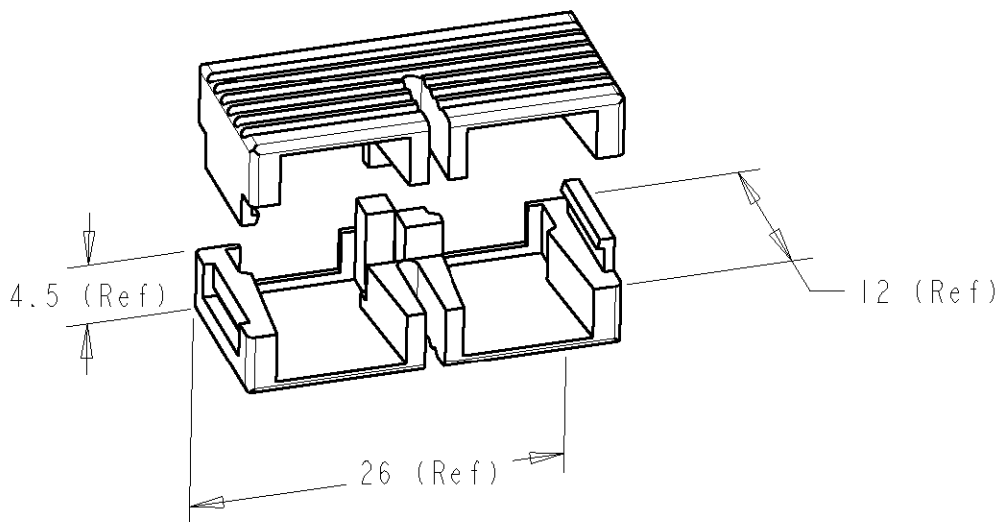


LOC	DIST	REVISIONS					
		P	LTR	DESCRIPTION	DATE	DWN	APVD
H	-		A	EHGO-0148-05	22 APR 05	RC	JE



NOTE: 2 PIECES MAKE 1 CLIP

0-6348522-4	BEIGE
0-6348522-3	BLUE
0-6348522-2	GREEN
0-6348522-1	BLACK
PART NUMBER	COLOUR

RELEASED FOR PUBLICATION

THIS DRAWING IS UNPUBLISHED.

BY TYCO ELECTRONICS CORPORATION. ALL RIGHTS RESERVED.

© COPYRIGHT -

DIMENSIONS: mm	DWN R. Coolen	22 APR 05	MATERIAL	-	FINISH	-
	CHK J. Elenbaas	22 APR 05	TYCO ELECTRONICS NEDERLAND B.V. 's-HERTOGENBOSCH, THE NETHERLANDS			
TOLERANCES UNLESS OTHERWISE SPECIFIED:	APVD A. Hengelmolen	22 APR 05				
0 PLC ±0,2	PRODUCT SPEC	-	NAME FOAC 0,5 DUPLEX CLIP SC CONNECTOR			
1 PLC ±0,1	APPLICATION SPEC	-	SIZE	CAGE CODE	DRAWING NO	RESTRICTED TO
2 PLC ±0,05	WEIGHT	-	A 4	00779	©=6348522	-
3 PLC ±0,025			CUSTOMER DRAWING			
4 PLC ±0,005			SCALE	2:1	SHEET	1 OF 1
ANGLES ±0,5					REV	A

