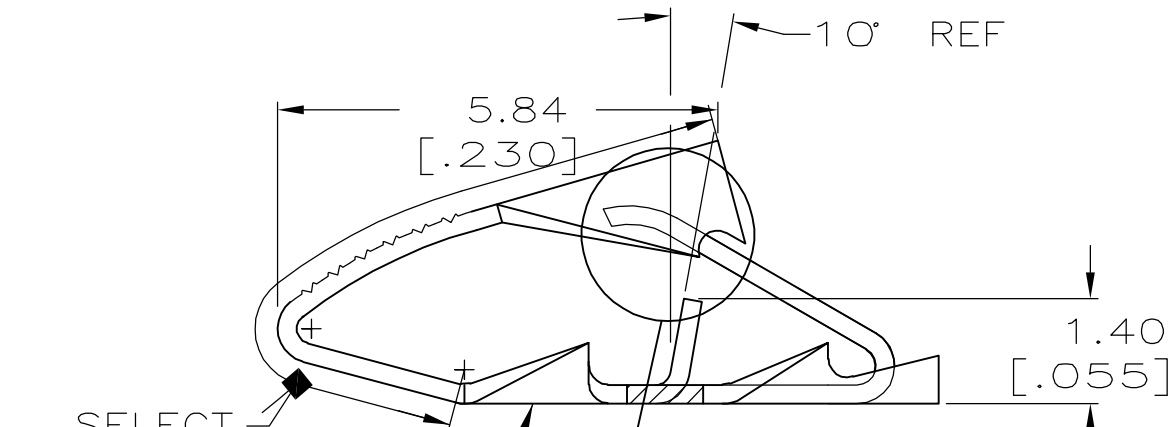
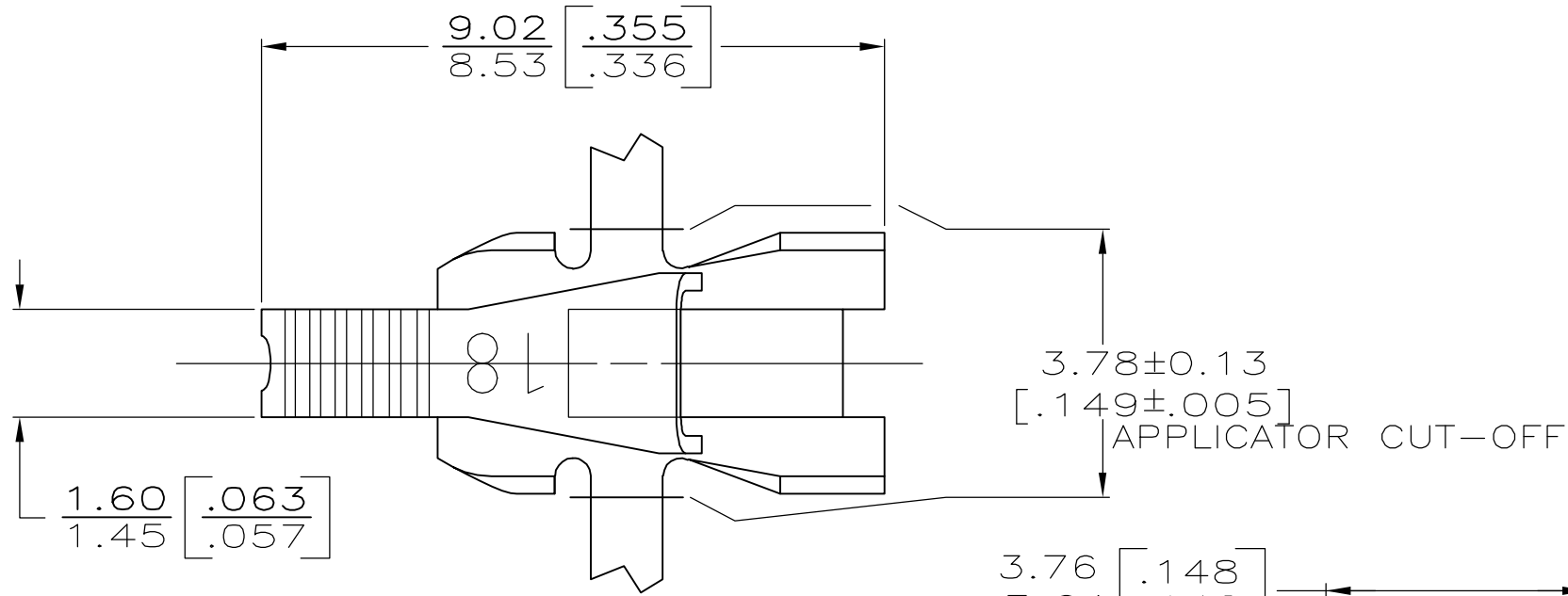


THIS DRAWING IS UNPUBLISHED. RELEASED FOR PUBLICATION
 © COPYRIGHT BY TYCO ELECTRONICS CORPORATION. ALL RIGHTS RESERVED.

| LOC | DIST | REVISIONS | | | | | |
|-----|------|-----------|-----|-----------------------|---------|-----|------|
| | | P | LTR | DESCRIPTION | DATE | DWN | APVD |
| AF | 50 | | E1 | REL PER ECR 06-000469 | 13JAN06 | JR | KR |

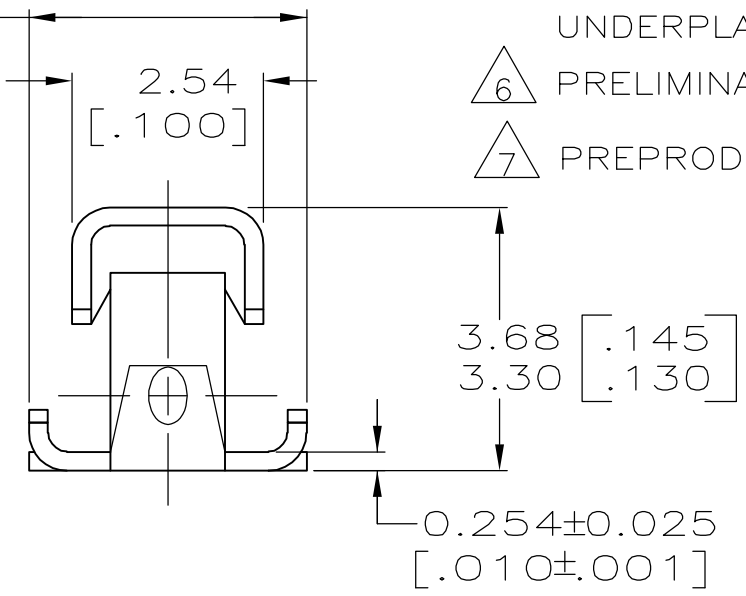


SELECT TIN-LEAD
-1 & -3 ONLY
 △3 △5

SELECT GOLD
-1 & -3 ONLY
 △3 △5

10° REF

3.76 [.148]
3.61 [.142]



- 1 CONTINUOUS STRIP ON REELS WITH TERMINALS LOCATED ON 6.10±0.08 [.240±.003] CENTERS.
- △2 IDENTIFICATION NUMBER 18 FOR MAGNET WIRE RANGE.
- △3 0.000762[.000030] MIN SELECT GOLD ON ONE SIDE AS SHOWN, 0.00127[.000050] MIN SELECT TIN-LEAD ON BOTH SIDES AS SHOWN ALL OVER 0.00127[.000050] MIN NICKEL UNDERPLATE
- △4 0.002032 [.000080] MIN TIN OVER 0.00127 [.000050] MIN NICKEL WITH ANTI-FRETTING LUBE ON POKE-IN LEAF AREA.
- △5 0.000762[.000030] MIN SELECT GOLD ON ONE SIDE AS SHOWN, 0.00127[.000050] MIN SELECT TIN ON BOTH SIDES AS SHOWN ALL OVER 0.00127[.000050] MIN NICKEL UNDERPLATE
- △6 PRELIMINARY - NOT FOR PRODUCTION.
- △7 PREPRODUCTION - FASR REQUIRED

| | | | |
|---------------------------|--------|----------|---------|
| 0.10-0.25mm [#38-#30] AWG | △5 | △7 | 63844-3 |
| | △4 | △6 | 63844-2 |
| | △3 | | 63844-1 |
| COPPER MAGNET WIRE RANGE | FINISH | PART NO. | |

| | | | | |
|--|--|-------------------------------|---|-----------------|
| THIS DRAWING IS A CONTROLLED DOCUMENT. | | DWN R.GRZYBOWSKI 3/MAY/95 | Tyco Electronics Corporation Harrisburg, Pa 17105-3608 | |
| DIMENSIONS: MM [INCHES] | | CHK MICHAEL S. FEHER 3/MAY/95 | | |
| TOLERANCES UNLESS OTHERWISE SPECIFIED: | | APVD TL SHUTTER 3/MAY/95 | NAME | |
| 0 PLC ± - | | PRODUCT SPEC | TERMINAL, POKE-IN, MINI MAG-MATE | |
| 1 PLC ± - | | 108-2016 | | |
| 2 PLC ± 0.25 [.010] | | APPLICATION SPEC | | |
| 3 PLC ± - | | 114-2047 | | |
| 4 PLC ± - | | WEIGHT - | SIZE A3 | CAGE CODE 00779 |
| ANGLES ± - | | | DRAWING NO C-63844 | RESTRICTED TO - |
| FINISH SEE TABLE | | CUSTOMER DRAWING | | |
| H02 BRASS | | SCALE 10:1 | SHEET 1 OF 1 | REV E1 |