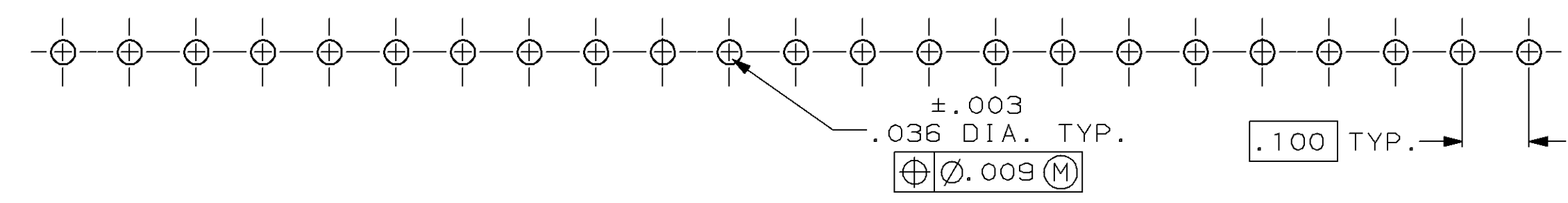
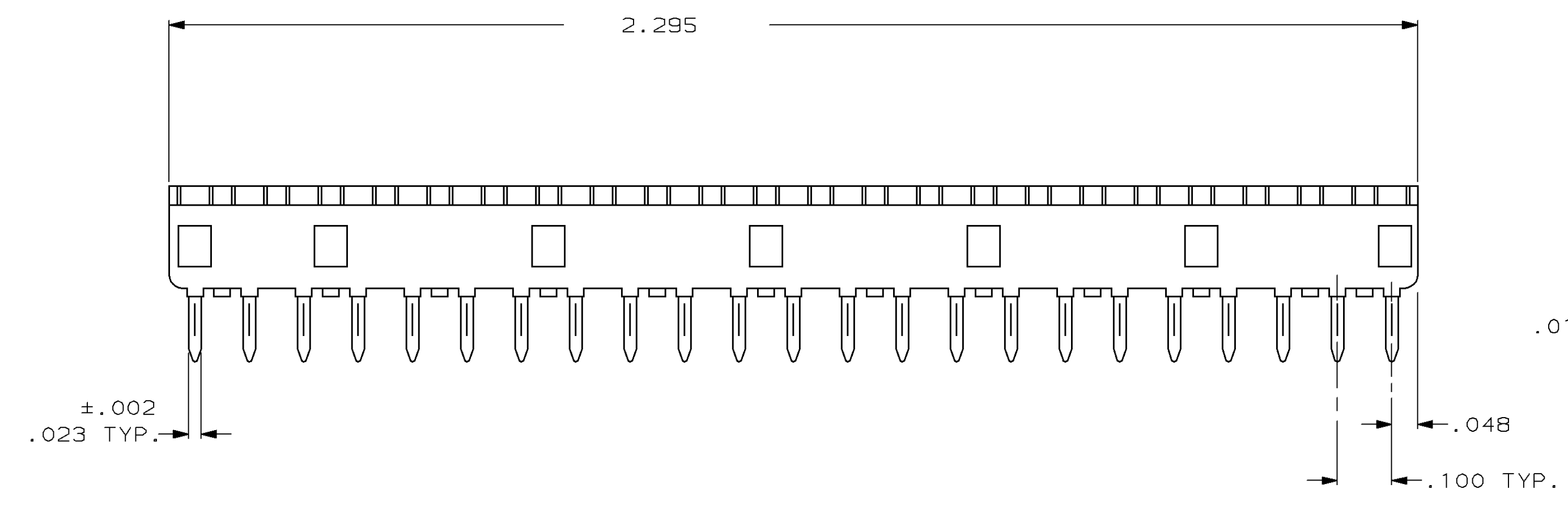
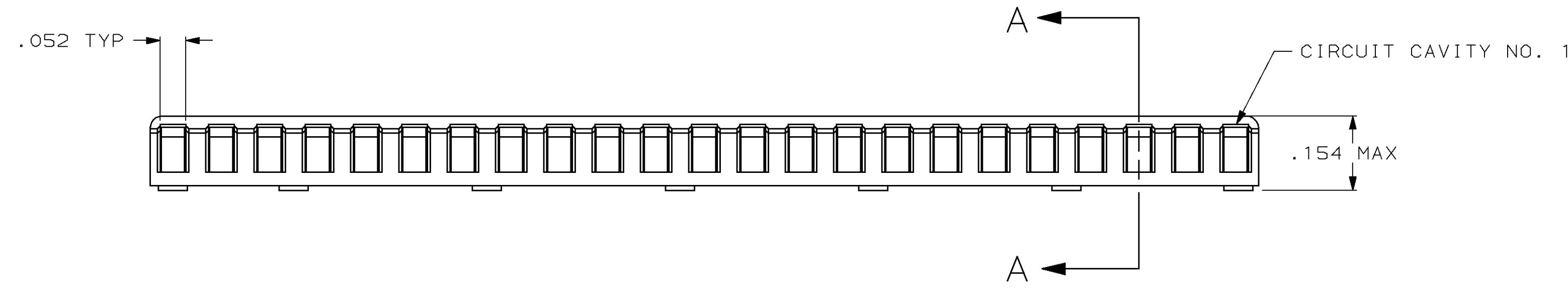
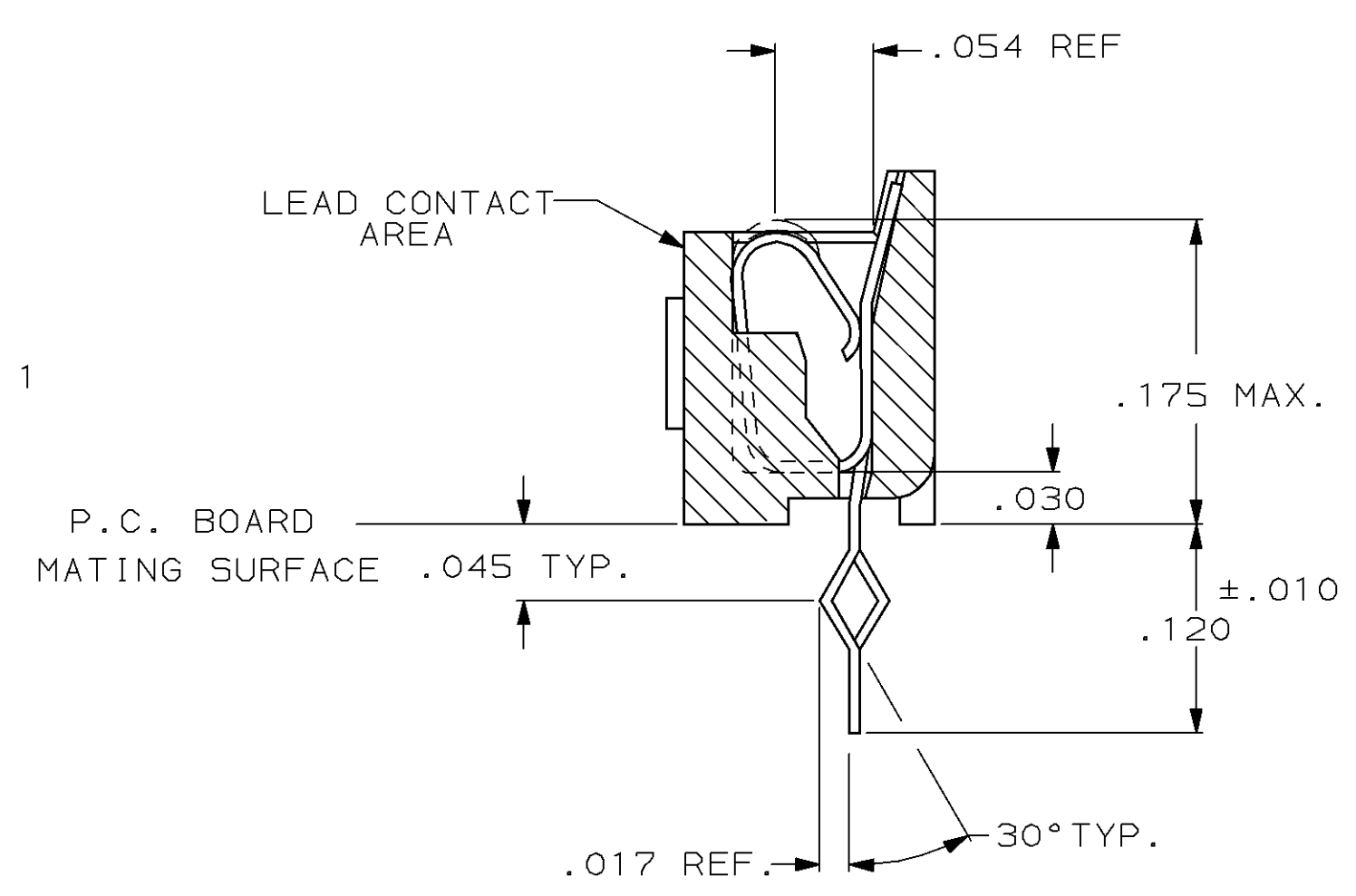


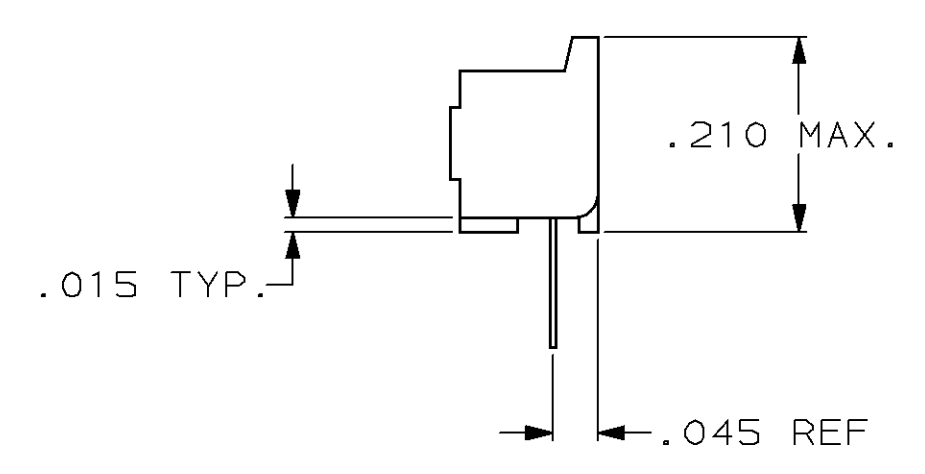
LOC	DIST	REVISIONS			
P	LTR	DESCRIPTION	DATE	DMN	APVD
J		REV PER EC 0320-138-97	12 MAY 97	MB	GJ
K		REV PER EC 0330-35-97	21 JUL 97	DH	GJ



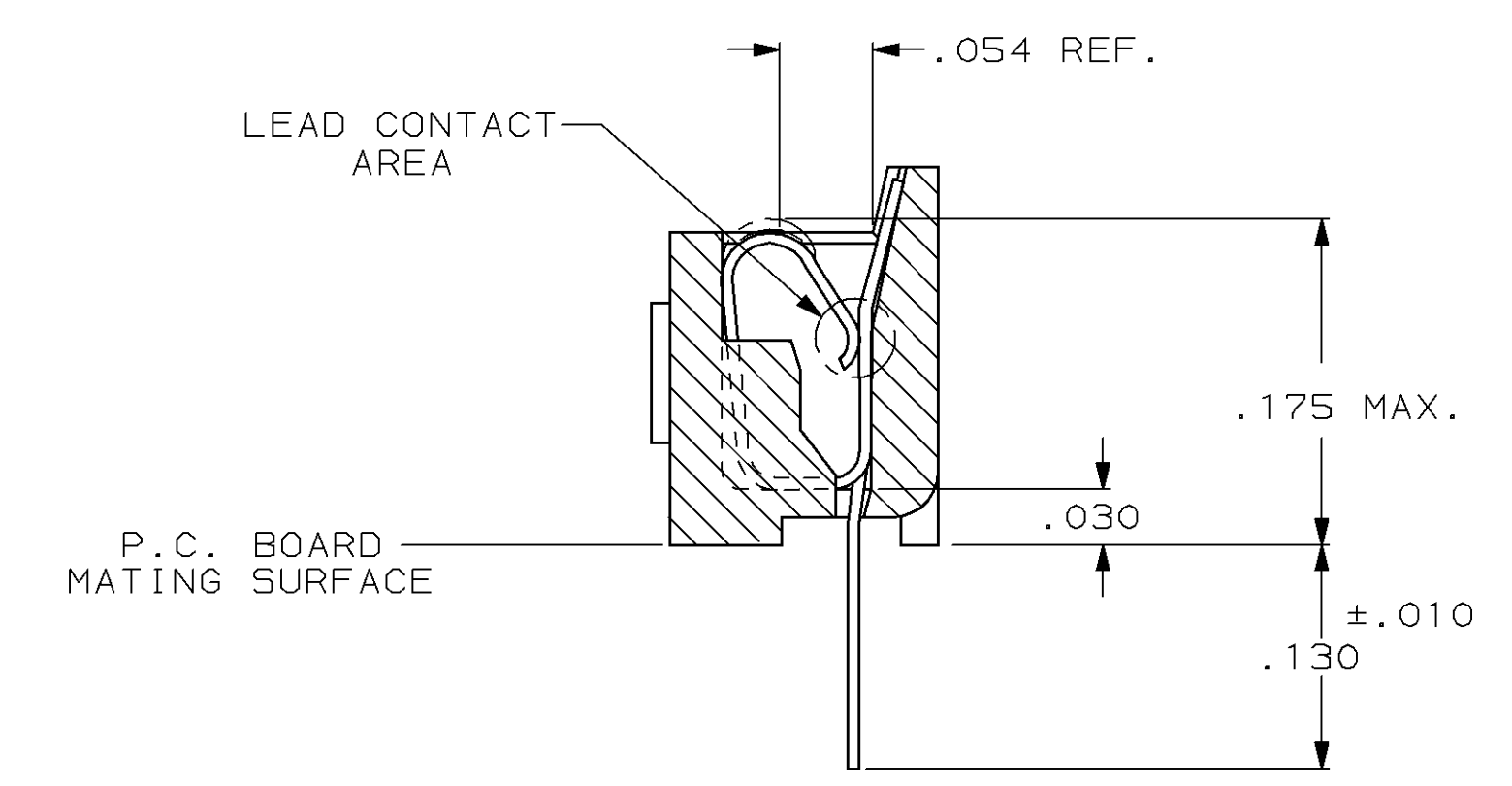
RECOMMENDED MOUNTING HOLE PATTERN



SECTION A-A
ROTATED 90° CW
SCALE 10:1
FOR -6, -7 & -8 ONLY



- RECEPTACLE ACCEPTS AN .008-.014 THK. I.C. LEAD.
- TWO .000030 MIN. THK. GOLD STRIPES IN CONTACT AREA, TIN-LEAD (93-7) ON CONTACT LEGS, BALANCE OF CONTACT NICKEL PLATED.
- TWO .000015 MIN. THK. GOLD STRIPES IN CONTACT AREA, TIN-LEAD (93-7) ON CONTACT LEGS, BALANCE OF CONTACT NICKEL PLATED.



SECTION A-A
ROTATED 90° CW
SCALE 10:1
FOR -1, -2 & -3 ONLY

	TINNED	PHOS. BRZ.	GLASS-FILLED THERMOPLASTIC, 94V-0, BLACK	643655-8
OBSOLETE	△	BE. CU.	GLASS-FILLED THERMOPLASTIC, 94V-0, BLACK	643655-7
	TINNED	BE. CU.	GLASS-FILLED THERMOPLASTIC, 94V-0, BLACK	643655-6
SUPSD BY 643655-2	△	PHOS. BRZ.	GLASS-FILLED THERMOPLASTIC, 94V-0, BLACK	643655-4
OBSOLETE	△	PHOS. BRZ.	GLASS-FILLED THERMOPLASTIC, 94V-0, BLACK	643655-3
OBSOLETE	△	BE. CU.	GLASS-FILLED THERMOPLASTIC, 94V-0, BLACK	643655-2
OBSOLETE	△	BE. CU.	GLASS-FILLED THERMOPLASTIC, 94V-0, BLACK	643655-1
	CONTACT FINISH	CONTACT MAT'L	HOUSING MATERIAL	PART NO.

THIS DRAWING IS A CONTROLLED DOCUMENT.

DMN: M. CYRUS 6-30-84
CHK: N. JONES 7-3-84
APVD: J. GRAY 7-10-84

AMP AMP Incorporated
Harrisburg, PA 17105-3608

NAME: SOCKET ASSY, SIP, 23 POS, DIPLOMATE™ DL

PRODUCT SPEC: 108-1066
APPLICATION SPEC: 114-1049

SIZE: A1
CAGE CODE: 00779
DRAWING NO: 643655

RESTRICTED TO: -

CUSTOMER DRAWING SCALE: 5:1 SHEET: 1 OF 1 REV: K