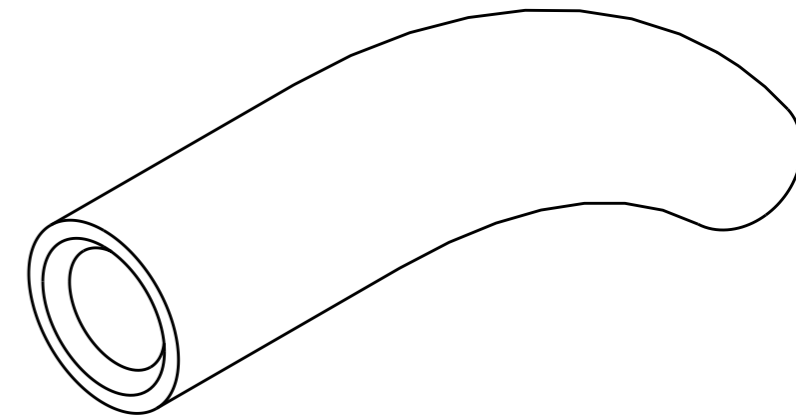
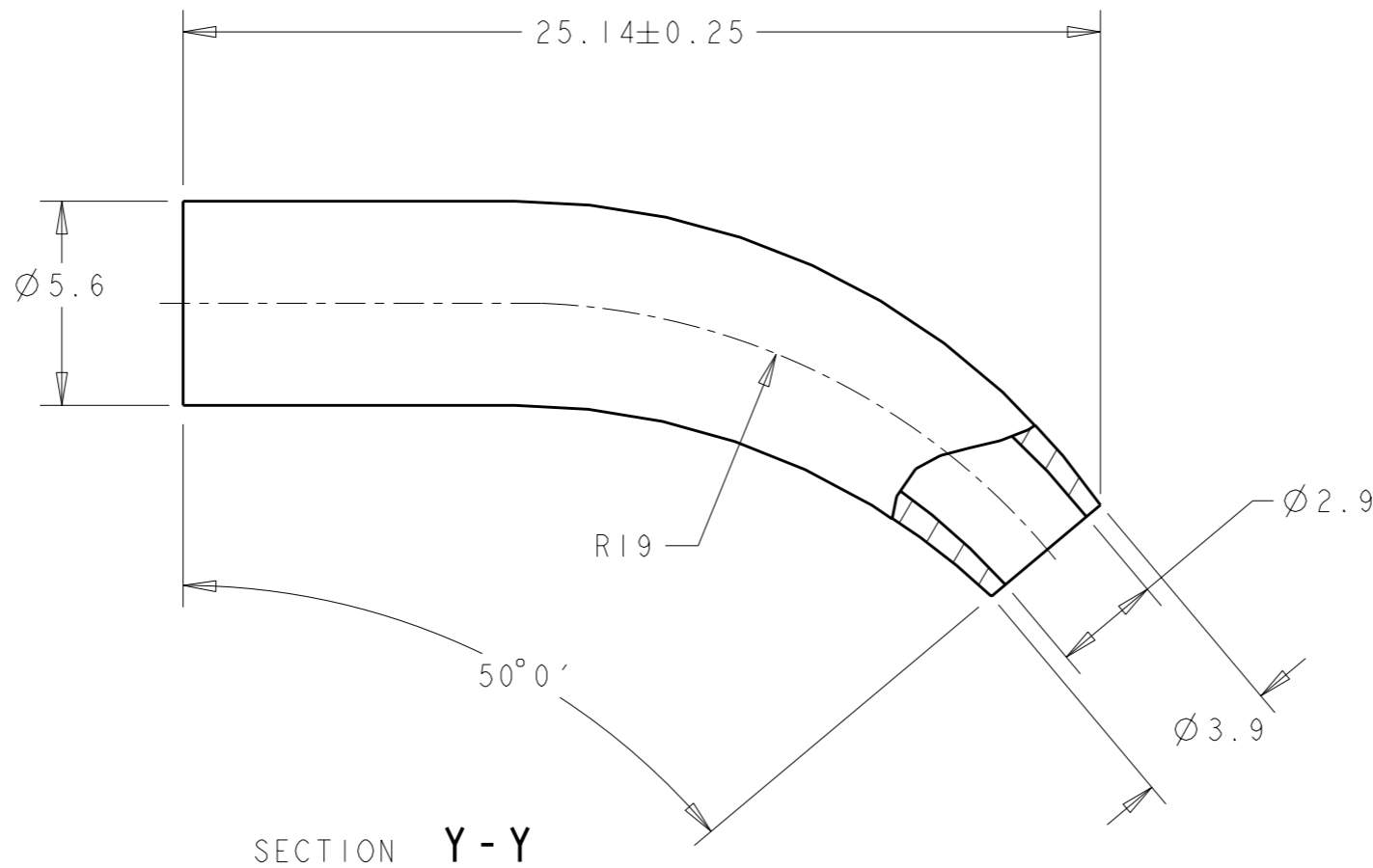
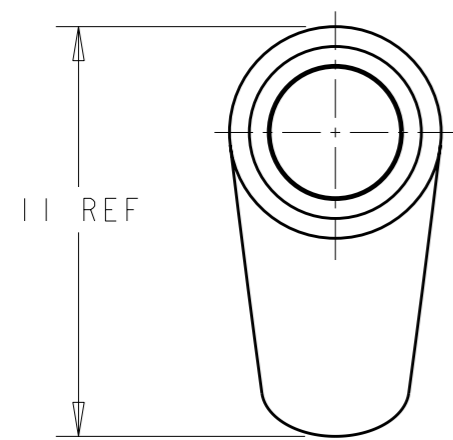


THIS DRAWING IS UNPUBLISHED. RELEASED FOR PUBLICATION  
 © COPYRIGHT - BY TYCO ELECTRONICS CORPORATION. ALL INTERNATIONAL RIGHTS RESERVED.

LOC	DIST	REVISIONS			
P	LTR	DESCRIPTION	DATE	DWN	APVD
HG	-	C	ECR-05-005541	08JUN2005	EJH SB
		D	REVISE PER ECR-07-030736	19DEC2007	BB SB
		DI	REV PER ECR-10-011735	03JUN2010	IL CT



RED	6457543-8
WHITE	6457543-7
YELLOW	6457543-6
GREEN	6457543-5
BLACK	6457543-4
BLUE	6457543-2
BEIGE	6457543-1
COLOR	PART NO

SECTION Y-Y

1 TPE, UL 94 V-0 RATED AT QUALIFYING THICKNESS, SEE TABLE FOR COLORS.

<small>THIS DRAWING IS A CONTROLLED DOCUMENT FOR TYCO ELECTRONICS CORPORATION. IT IS SUBJECT TO CHANGE AND THE CONTROLLING ENGINEERING ORGANIZATION SHOULD BE CONTACTED FOR THE LATEST REVISION.</small>		DWN E. HOPKINS 26 JAN 2005 CHK D. ERDMAN 26 JAN 2005 APVD S. BUCHTER 26 JAN 2005		Tyco Electronics Corporation Shanghai, China	
DIMENSIONS: mm 		TOLERANCES UNLESS OTHERWISE SPECIFIED: 0 PLC ±0.1 1 PLC ±0.1 2 PLC ± 3 PLC ± 4 PLC ± ANGLES ±5°		NAME: BOOT, ANGLED, LC 50 DEGREE	
MATERIAL: 1 		FINISH: -		SIZE: A3 CAGE CODE: C-6457543 DRAWING NO: RESTRICTED TO: -	
CUSTOMER DRAWING				SCALE: 5:1 SHEET 1 OF 1 REV DI	