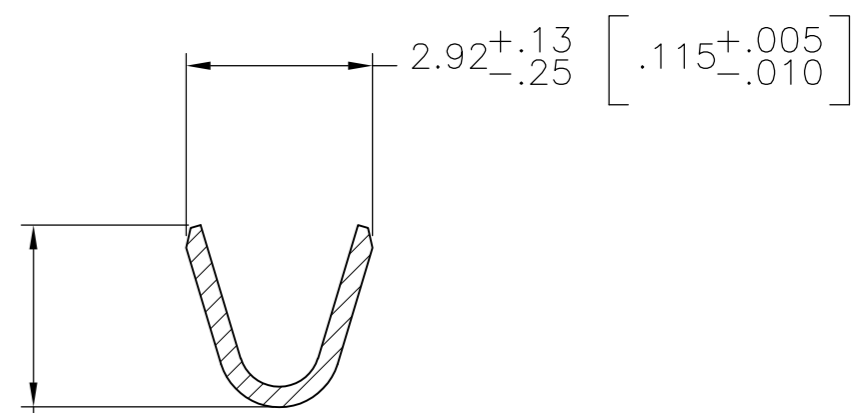
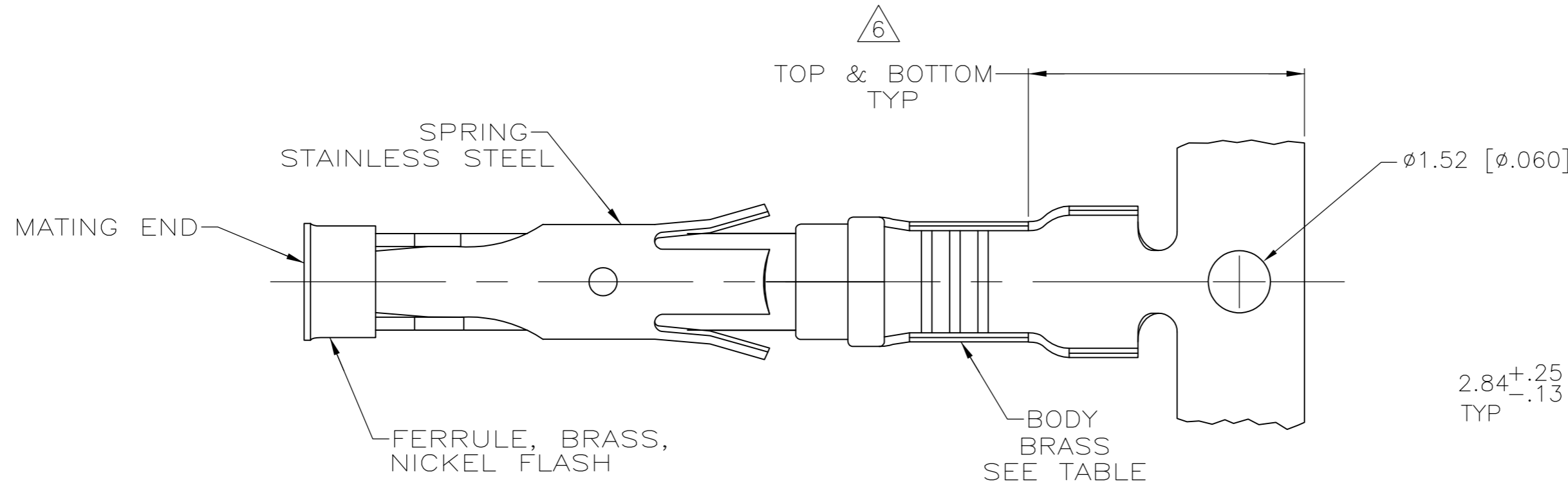
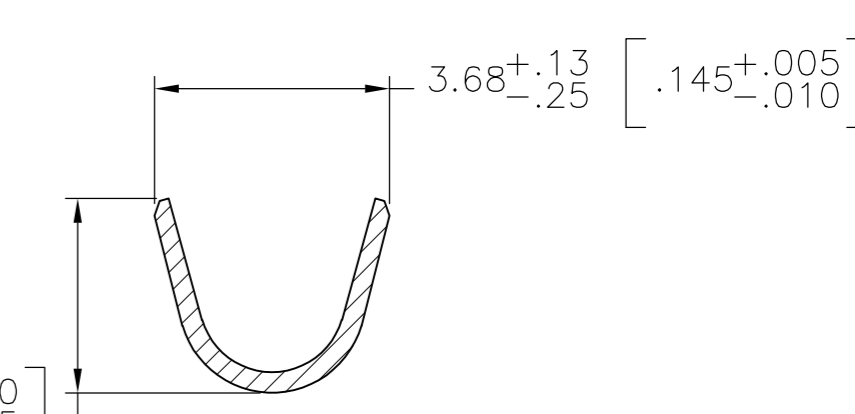
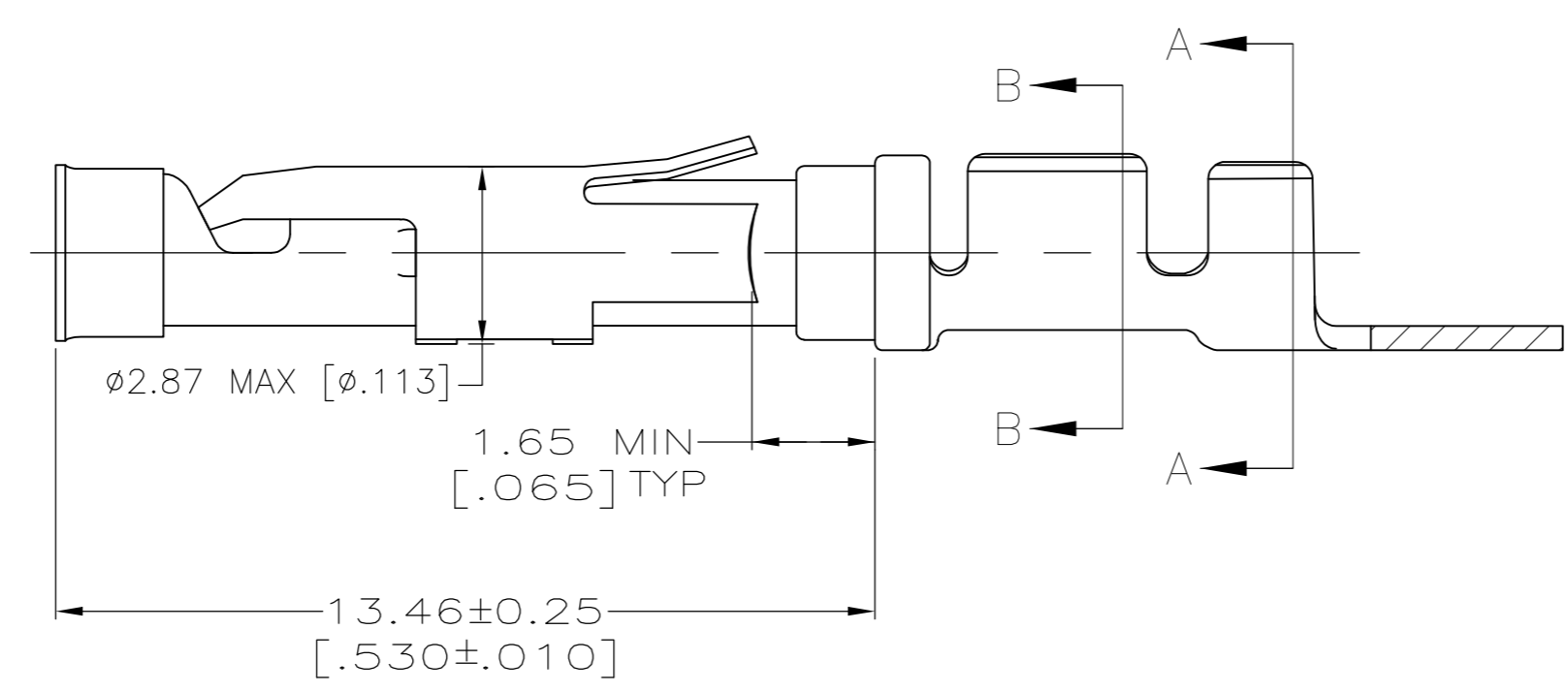
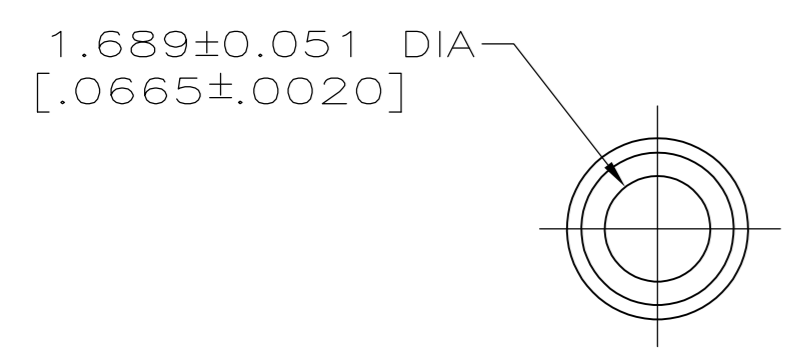


THIS DRAWING IS UNPUBLISHED. RELEASED FOR PUBLICATION
 © COPYRIGHT BY TYCO ELECTRONICS CORPORATION. ALL RIGHTS RESERVED.

LOC	DIST	REVISIONS					
FT	47	P	LTR	DESCRIPTION	DATE	DWN	APVD
		AK		EC OG3B-0367-03	05MAY03	VF	GS
		AK1		REV PER ECO-10-000443	01FEB10	KK	HMR



SECTION B-B



SECTION A-A

- ① 0.76µm [.000030] MIN GOLD PER MIL-G-45204 ON MATING END FOR A LENGTH OF 5.08 [.200] MIN WITH GOLD FLASH ON THE REMAINDER OVER 0.76µm [.000030] MIN NICKEL PER QQ-N-290.
- ② 1.27µm [.000050] MIN TIN-LEAD PER MIL-T-10727 OVER 0.76µm [.000030] MIN NICKEL PER QQ-N-290.
- ③ 0.76µm [.000030] MIN GOLD PER MIL-G-45204 ON MATING END FOR A LENGTH OF 5.08 [.200] MIN WITH A UNIFORM GRADIENT TO 0.25µm [.000010] MIN GOLD PER MIL-G-45204 ON THE REMAINDER OVER 0.76µm [.000030] MIN NICKEL PER QQ-N-290.
- ④ 0.38µm [.000015] MIN GOLD PER MIL-G-45204 ON MATING END FOR A LENGTH OF 5.08 [.200] MIN WITH GOLD FLASH ON THE REMAINDER OVER 0.76µm [.000030] MIN NICKEL PER QQ-N-290.
- ⑤ 1.27µm [.000050] MIN GOLD PER MIL-G-45204 ON MATING END FOR A LENGTH OF 5.08 [.200] MIN WITH GOLD FLASH ON REMAINDER OVER 1.90µm [.000075] MIN NICKEL PER QQ-N-290.
- ⑥ GOLD PLATING NEED NOT APPEAR IN THIS AREA EXCEPT 1-66100-3 HAS GOLD PLATING ON INSULATION BARREL.
- ⑦ REVERSE REELED FOR MINI-APPLICATOR.
- 8. WIRE RANGE 18-16 AWG. INSULATION RANGE 2.03 [.080]-2.54 [.100].
- ⑨ 0.38µm [.000015] MIN GOLD PER MIL-G-45204 ON MATING END FOR A LENGTH OF 5.08 [.200] MIN, 1.27µm [.000050] MIN TIN-LEAD PER MIL-T-10727 FOR A LENGTH OF 5.69 [.224] MIN ON OPPOSITE END, BOTH OVER 1.27µm [.000050] MIN NICKEL PER QQ-N-290 ON ENTIRE CONTACT.
- ⑩ 1.27µm [.000050] MIN TIN PER MIL-T-10727 OVER 0.76µm [.000030] MIN NICKEL PER QQ-N-290.

STANDARD	⑩	1-66101-9	2-66100-0
	⑩	1-66101-9	1-66100-9
OBSOLETE	⑨	1-66101-4	1-66100-7
OBSOLETE	⑤	-	1-66100-3
	⑦	①	66101-4 66100-9
	⑦	④	66101-3 66100-8
	⑦	②	66101-2 66100-7
	⑦	③	66101-1 66100-6
STANDARD	①	66101-4	66100-4
STANDARD	④	66101-3	66100-3
STANDARD	②	66101-2	66100-2
STANDARD	③	66101-1	66100-1
REELING	BODY FINISH	LOOSE PIECE REF	PART NO.

THIS DRAWING IS A CONTROLLED DOCUMENT.

DWN V. FURLER 11JUL03
 CHK G. STEINHAUER 11JUL03
 APVD G. STEINHAUER 11JUL03

Tyco Electronics Corporation
 Harrisburg, PA 17105

NAME: SOCKET ASSEMBLY, .062, TYPE III+

SIZE: A2 CAGE CODE: 00779 DRAWING NO: C=66100 RESTRICTED TO: -

MATERIAL: SEE CALLOUTS FINISH: SEE CALLOUTS WEIGHT: - SCALE: 8:1 SHEET: 1 OF 1 REV: AK1

CUSTOMER DRAWING