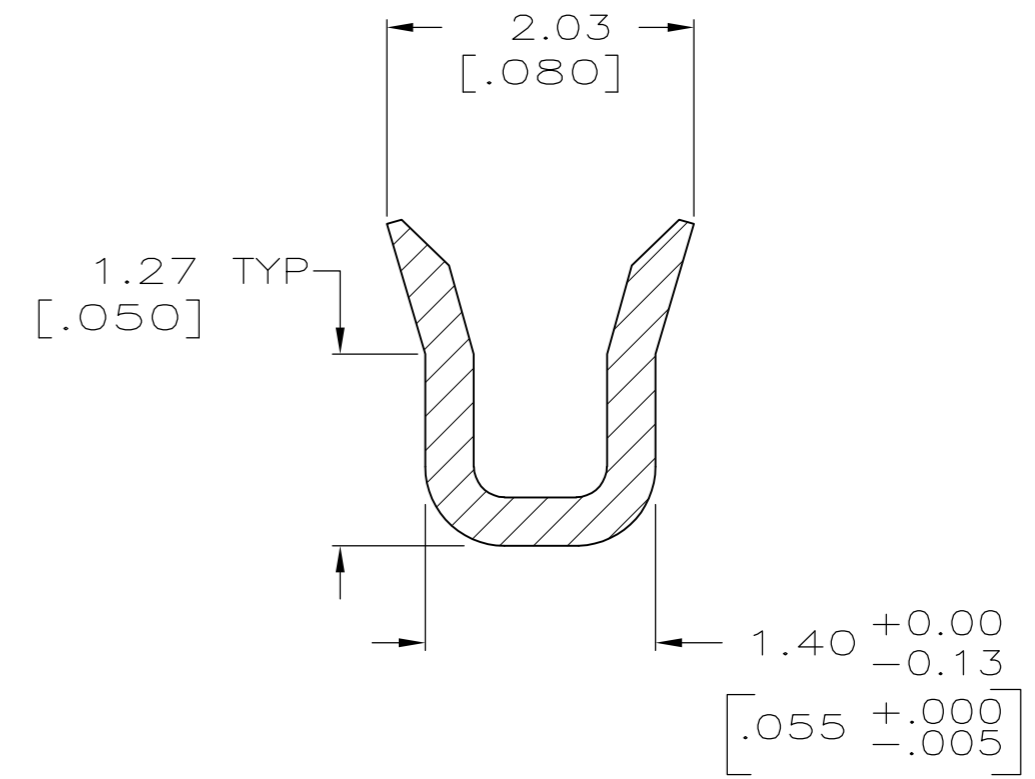
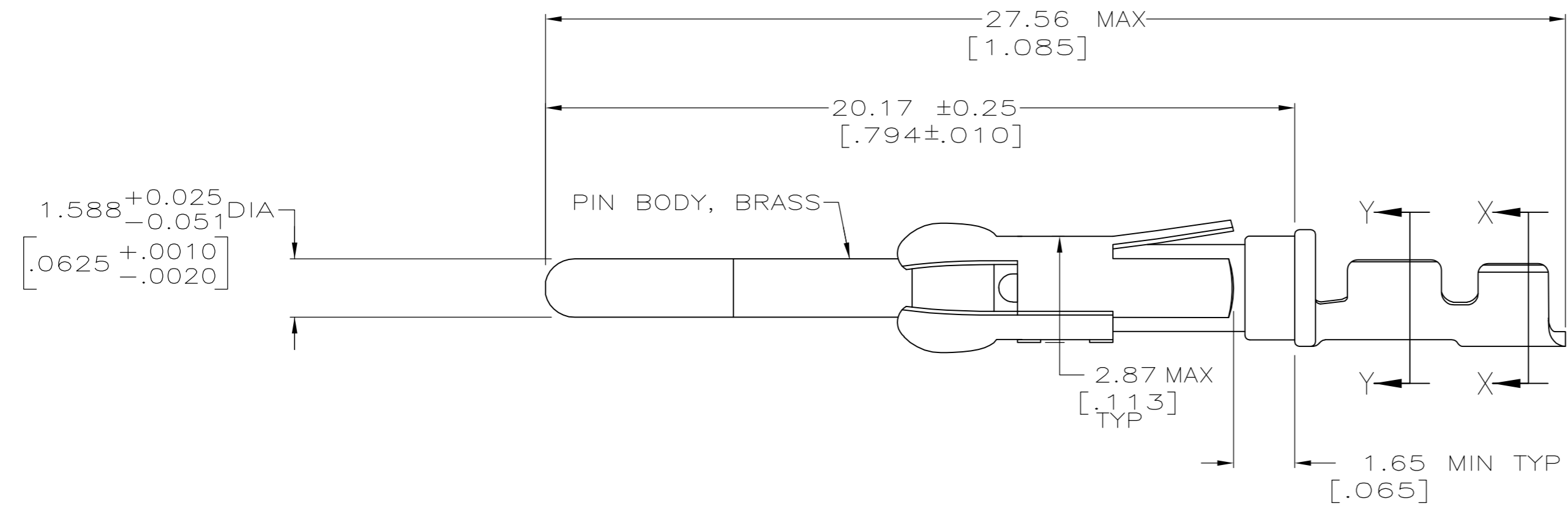
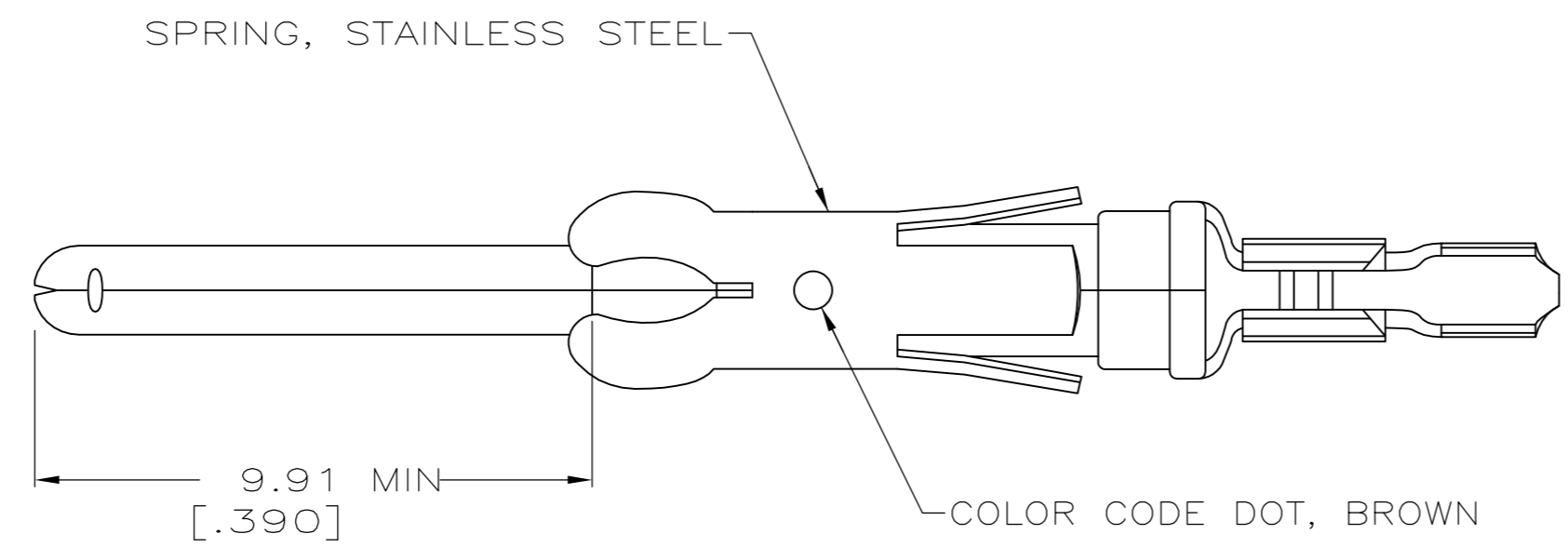
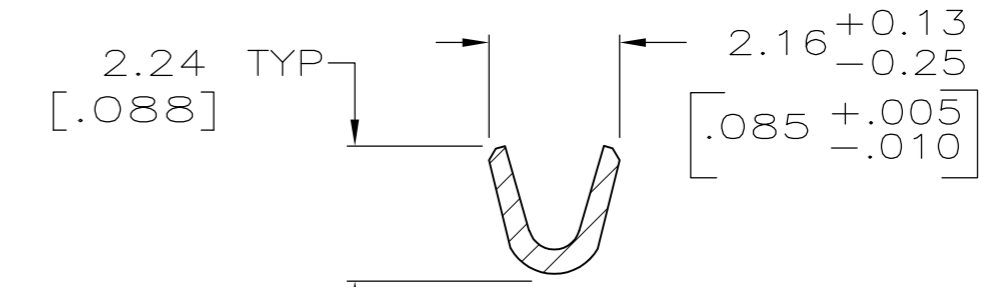


THIS DRAWING IS UNPUBLISHED. RELEASED FOR PUBLICATION
 © COPYRIGHT BY TYCO ELECTRONICS CORPORATION. ALL INTERNATIONAL RIGHTS RESERVED.

LOC		DIST		REVISIONS			
P	LTR	DESCRIPTION		DATE	DWN	APVD	
FT	47	R	REV PER ECR 10-012675	13SEPT10	JR	SH	



SECTION Y-Y
 SCALE 20:1



SECTION X-X

- 1. 0.76µm [.000030] MIN PRECIOUS METAL PLATE ON MATING END FOR A LENGTH OF 5.08 [.200] MIN OVER 1.27µm [.000050] MIN NICKEL PLATE. 0.25µm [.000010] MIN GOLD ON THE REMAINDER ALL OVER 1.27µm [.000050] MIN NICKEL. CONFORMS TO THE REQUIREMENTS OF TYCO ELECTRONICS PRODUCT SPEC 108-10042, BASED ON EIA/ECA-364-1000.01A (CONTROLLED ENVIRONMENT APPLICATIONS).
- 2. 0.76µm [.000030] MIN PRECIOUS METAL PLATE ON MATING END FOR A LENGTH OF 5.08 [.200] MIN WITH A UNIFORM GRADIENT TO 0.25µm [.000010] ON REMAINDER, OVER 1.27µm [.000050] MIN NICKEL PLATE. GOLD FLASH ALL OVER. CONFORMS TO THE REQUIREMENTS OF TYCO ELECTRONICS PRODUCT SPEC 108-10042, BASED ON EIA/ECA-364-1000.01A (CONTROLLED ENVIRONMENT APPLICATIONS).
- 3. 0.38µm [.000015] MIN GOLD IN LOCALIZED PLATE AREA, GOLD FLASH ON THE REMAINDER ALL OVER 1.27µm [.000050] NICKEL.
- 4. WIRE RANGE 26-30 AWG.
- 5. INSULATION RANGE 1.02[.040]-1.52[.060] DIA.
- 6. 0.38µm [.000015] MIN GOLD PER MIL-G-45204 IN LOCALIZED PLATE AREA, 1.27µm [.000050] MIN TIN-LEAD PER MIL-T-10727 FOR A LENGTH OF 5.69 [.224] MIN ON OPPOSITE END, BOTH OVER 1.27µm [.000050] MIN NICKEL PER QQ-N-290 ON ENTIRE CONTACT.

OBSOLETE	6	1-66425-1	66429-6
	2	66425-4	66429-4
	3	66425-3	66429-3
	1	66425-1	66429-1
FINISH		STRIP P/N REF	PART NO.

THIS DRAWING IS A CONTROLLED DOCUMENT.		DWN H MOLL 9-27-90	Tyco Electronics Corporation	
DIMENSIONS: MM [INCHES]		CHK A. BOULLIANNE 12-15-90	Harrisburg, PA 17105-3608	
TOLERANCES UNLESS OTHERWISE SPECIFIED:		APVD R. WALTER 5-1-91	NAME	
0 PLC ± -		PRODUCT SPEC	PIN ASSEMBLY, LOOSE PIECE, TYPE III+	
1 PLC ± -		APPLICATION SPEC	-	
2 PLC ± 0.13[.005]		WEIGHT	-	
3 PLC ± -		SIZE	A2	
4 PLC ± -		CAGE CODE	00779	
ANGLES ± -		DRAWING NO	C=66429	
MATERIAL SEE CALL OUT		FINISH PIN BODY:SEE TABLE	RESTRICTED TO	
CUSTOMER DRAWING		SCALE 8:1	SHEET 1 of 1	
		REV R		