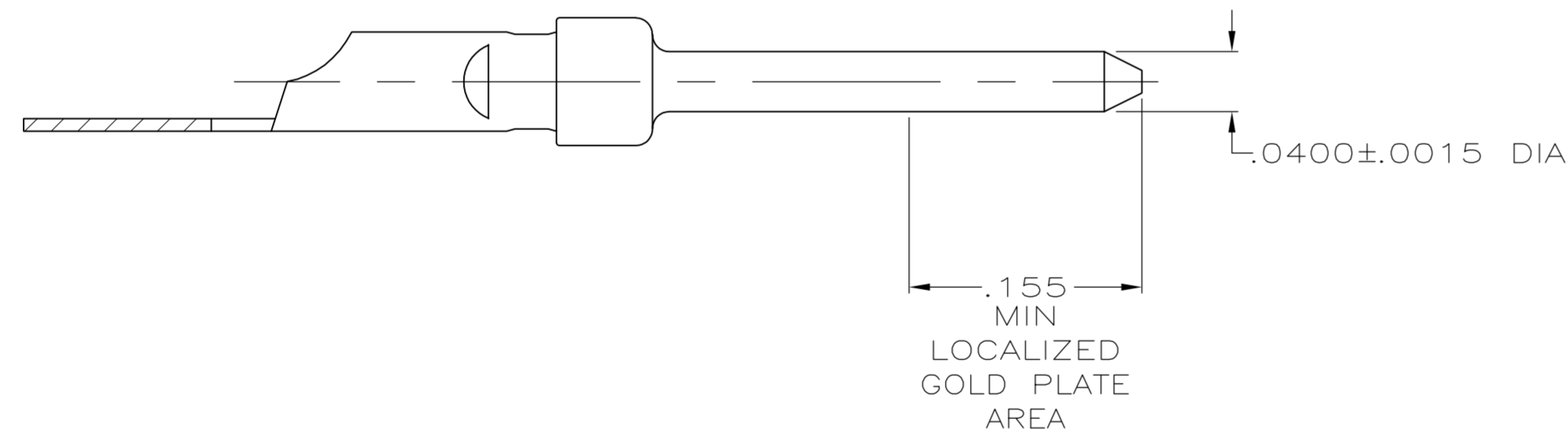
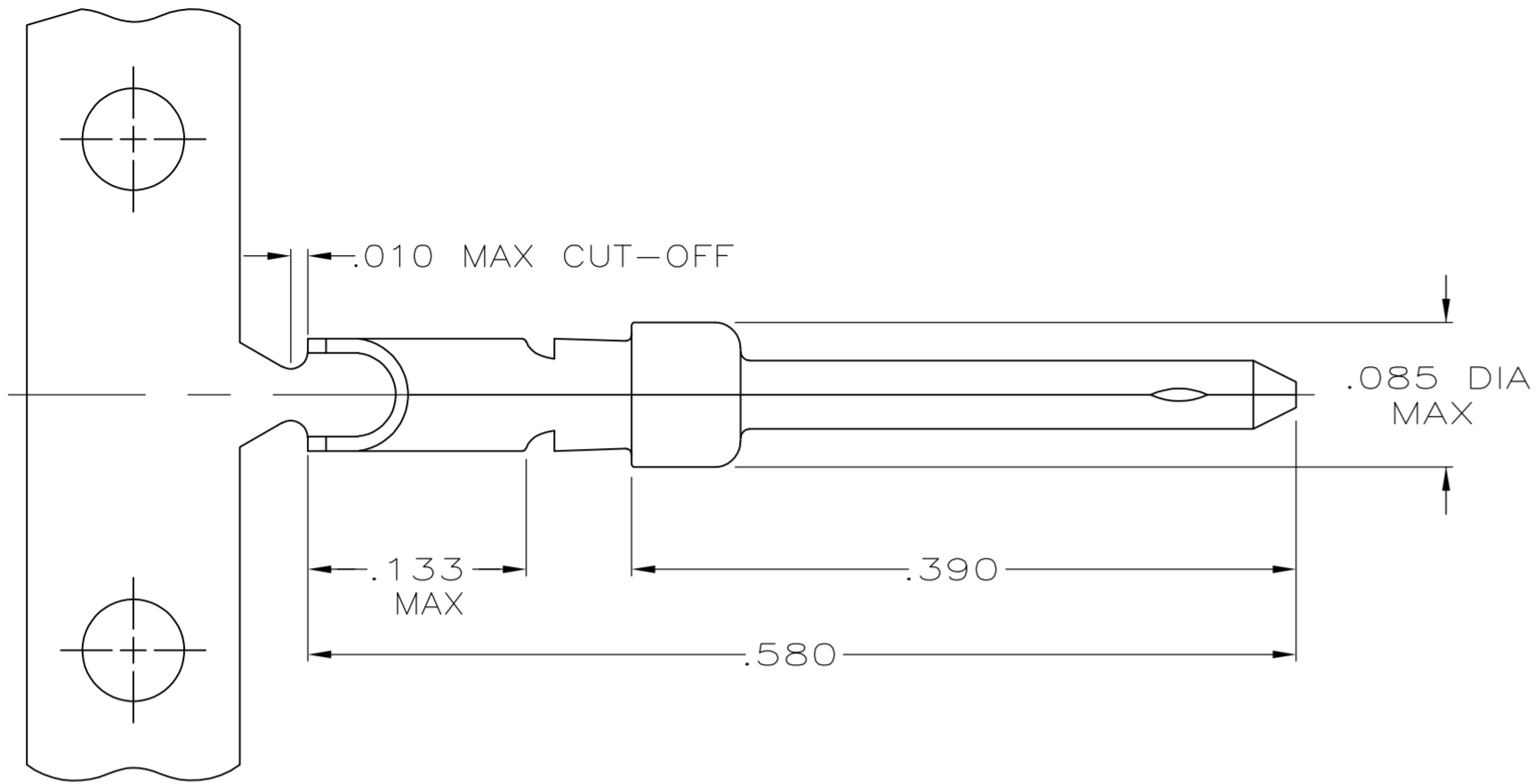


THIS DRAWING IS UNPUBLISHED. RELEASED FOR PUBLICATION  
 © COPYRIGHT BY TYCO ELECTRONICS CORPORATION. ALL INTERNATIONAL RIGHTS RESERVED.

LOC	DIST	REVISIONS			
P	LTR	DESCRIPTION	DATE	DWN	APVD
GP	00				
	R	REVISED PER ECO-08-007460	20JUN2008	ZMRCWR	



- GOLD PLATING MAY NOT APPEAR ON CARRIER STRIP.
- GOLD PLATING PER MIL-G-45204. NICKEL PLATING PER QQ-N-290. TIN PLATING PER MIL-T-10727.
- GOLD PLATED IN LOCALIZED GOLD PLATE AREA AS FOLLOWS:  
 .000030 MIN GOLD IN MATED AREA, GOLD FLASH ON REMAINDER OF CONTACT, ALL OVER .000050 MIN NICKEL UNDERPLATE.  
 OR  
 GOLD FLASH OVER PALLADIUM-NICKEL PLATE, .000030 MIN TOTAL IN MATED AREA, GOLD FLASH ON REMAINDER OF CONTACT, ALL OVER .000050 MIN NICKEL UNDERPLATE.
- GOLD PLATED IN LOCALIZED GOLD PLATED AREA, GOLD FLASH IN MATED AREA, TIN PLATED WIRE BARREL, OVER .000030 NICKEL.
- GOLD PLATED IN LOCALIZED GOLD PLATED AREA, .000030 GOLD IN MATED AREA, TIN PLATED WIRE BARREL, OVER .000030 NICKEL.
- .046 MAX DIA CONDUCTOR (UP TO 18 AWG).

	SMALL PACK	3	LOOSE PIECE	66570-8
OBSOLETE	STANDARD	5	STRIP	66570-6
OBSOLETE	STANDARD	4	STRIP	66570-4
	STANDARD	3	LOOSE PIECE	66570-3
	STANDARD	3	STRIP	66570-2
	PACKAGING TYPE	FINISH	TYPE	PART NUMBER

THIS DRAWING IS A CONTROLLED DOCUMENT.		DWN	S.WELDON	9-9-86	Tyco Electronics Corporation Harrisburg, PA 17105-3608			
DIMENSIONS: INCHES		CHK	C.RICHARD	9-9-86	NAME			
TOLERANCES UNLESS OTHERWISE SPECIFIED:		APVD			PRODUCT SPEC			
0 PLC ± -		APVD			APPLICATION SPEC			
1 PLC ± -		APVD			SIZE			
2 PLC ± -		APVD			CAGE CODE			
3 PLC ± .005		APVD			DRAWING NO			
4 PLC ± -		APVD			RESTRICTED TO			
ANGLES ± -		APVD			A2 00779 C-66570			
FINISH		APVD			SCALE			
SEE TABLE 2		APVD			10:1 SHEET 1 of 1 REV R			
MATERIAL BRASS PER MIL-C-50		APVD			CUSTOMER DRAWING			