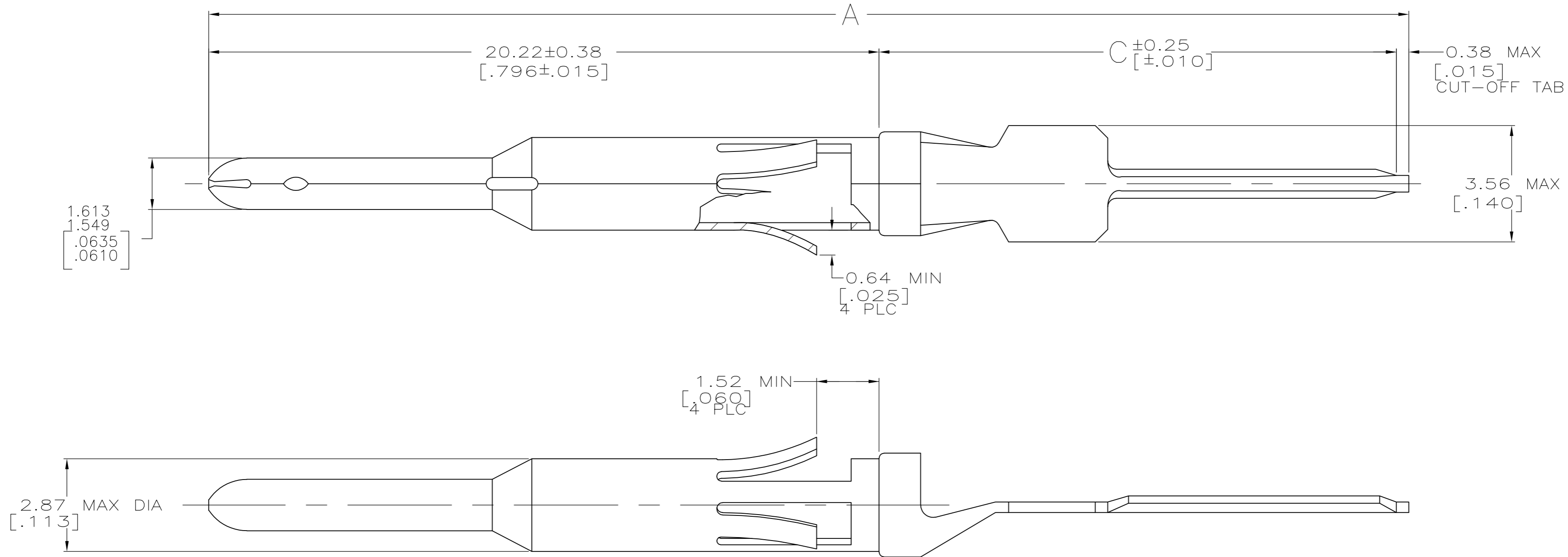


THIS DRAWING IS UNPUBLISHED. RELEASED FOR PUBLICATION
 © COPYRIGHT BY TYCO ELECTRONICS CORPORATION. ALL RIGHTS RESERVED.

LOC	DIST	REVISIONS					
FT	0	P	LTR	DESCRIPTION	DATE	DWN	APVD
		G		REVISED PER 0G3B-1175-04	12/22/04	SS	GS
		G1		REVISED PER ECO-09-020689	31AUG09	KK	AEG



- ⚠ BRASS PER MIL-C-50.
- ⚠ 0.76um [0.00030] MIN GOLD FOR A LENGTH OF 3.81 [.150] MIN ON CONTACT END, 1.27um [0.00050] MIN TIN-LEAD ON OPPOSITE END, BOTH OVER 1.27um [0.00050] MIN NICKEL ON ENTIRE CONTACT.
- 3. GOLD PLATING PER MIL-G-45204; TIN PLATING PER MIL-T-10727; NICKEL PLATING PER QQ-N-290.
- ⚠ 0.76um [0.00030] MIN GOLD FOR A LENGTH OF 3.81 [.150] MIN ON CONTACT END, 1.27um [0.00050] MIN TIN ON OPPOSITE END, BOTH OVER 1.27um [0.00050] MIN NICKEL ON ENTIRE CONTACT.
- ⚠ OBSOLETE PARTS: OBSOLETE CIS STREAMLINING PER D.RENAUD/D.SINISI

⚠ OBSOLETE	25.91 [1.020]	46.51 [1.831]	2-66730-1
⚠ OBSOLETE	21.11 [.831]	41.71 [1.642]	1-66730-9
⚠ OBSOLETE	15.80 [.622]	36.40 [1.433]	1-66730-7
	25.91 [1.020]	46.51 [1.831]	66730-9
	21.11 [.831]	41.71 [1.642]	66730-6
	15.80 [.622]	36.40 [1.433]	66730-3
	C	A	PART NUMBER

THIS DRAWING IS A CONTROLLED DOCUMENT		DWN L.SIPE 07/09/92	Tyco Electronics Corporation Harrisburg, Pa 17105-3608	
		CHK R.STONE 7-10-92		
DIMENSIONS: mm [INCHES]	TOLERANCES UNLESS OTHERWISE SPECIFIED:	APVD -	NAME CONTACT, PIN, TYPE VI, POSTED	
	0 PLC ± -	PRODUCT SPEC -	-	
	1 PLC ± -	APPLICATION SPEC -	-	
	2 PLC ± 0.13 [.005]	WEIGHT -	SIZE A2	CAGE CODE 00779
	3 PLC ± -	FINISH -	DRAWING NO C=66730	RESTRICTED TO -
MATERIAL - ⚠	FINISH - ⚠	CUSTOMER DRAWING	SCALE 10:1	SHEET 1 OF 1
			REV G1	